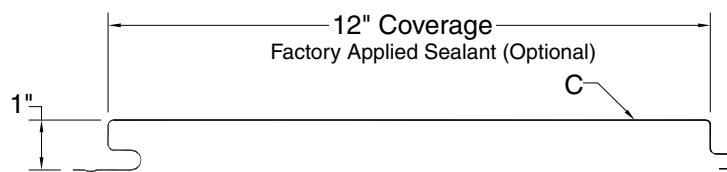
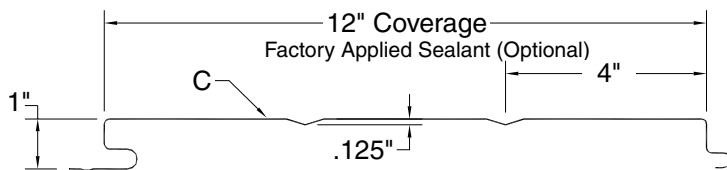


Product	Page No.
Panel Information	
Soffit Panel Profiles	PSO-2
Panel Overview.....	PSO-2
Flashing Profiles	
Cleat	PSO-3
Gravel Stop.....	PSO-3
Outside Corner.....	PSO-3
Inside Corner.....	PSO-3
Soffit Panel Z-Closure	PSO-3
1.25" Base	PSO-3
Soffit Panel Miter Trim.....	PSO-3
1.5 Sill/Head	PSO-3
1.5" Sill to Soffit	PSO-3
Soffit Panel Jamb.....	PSO-3
Accessory Profiles	
Tube Sealant.....	PSO-3
Tape Sealant.....	PSO-3
Touch-Up Paint	PSO-3
Design/Installation Considerations	
Fastener Installation Technique	PSO-4
Condition of Substructure	PSO-4
Fastening Information	PSO-5
Detail Conditions	
Gravel Stop Detail.....	PSO-6
Outside Corner Detail	PSO-6
Inside Corner Detail.....	PSO-7
Sill/Head Detail	PSO-7
Sill to Soffit Detail	PSO-8
Base Detail	PSO-8
Jamb Detail.....	PSO-9
Soffit to Wall Detail	PSO-9
Splice Corner Detail	PSO-10
Notes	
Notes	PSO-10

PANEL PROFILES



Flat



Vee-Grooves

SUBSTRATE

Soffit Panel is designed to be utilized over open structural framing, but can easily be used with a solid substrate. For solid substrate applications, the recommended substrate is $\frac{5}{8}$ " plywood with a 30 pound felt moisture barrier. To avoid panel distortion, use a properly aligned and uniform substructure.

COVERAGE

Soffit Panels are available in a 12" width with a 1" rib height.

LENGTH

Lengths under 5'-0" are available with some cutting restrictions. Maximum recommended panel length is 20'-0" for 24 gauge flat or striated panels and 5'-0" for 26 gauge with striations (26 gauge soffit panel is not to be used for wall applications). Longer panels require additional consideration in packaging, shipping, and erection. Please consult your Metal Sales branch for recommendations (see PGI-2 and 3 for locations).

AVAILABILITY

26 Gauge, 24 Ga., 22 Ga. (Minimum quantity may apply), .032 aluminum is available solid or perforated (Linen White only). For perforated soffit, perforations are 1/8" diameter holes on 1/4" centers (staggered). This spacing yields 23% open area.

APPLICATION

Soffit, Fascia, Wall, Liner.

PERFORMANCE TEST

ASTM E-283, ASTM E-331

FASTENING SYSTEM

Concealed fastener system.

FASTENERS

The fastener selection guide should be consulted for choosing proper fasteners for specific applications. Quantity and type of fastener must meet necessary loading and code requirements (see PGI-12-14).

MATERIALS

Steel grade 50, per ASTM A-792

FINISH

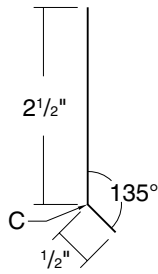
- ▶ *Acrylic Coated Galvalume® (ACG) / ASTM A-792 - AZ55
- ▶ MS Colorfast30®
- ▶ **Fluorocarbon (PVDF)

* Differential appearance of Acrylic Coated Galvalume roofing materials is not a cause for rejection.

** Meets both Kynar 500 and Hylar 5000 specifications.

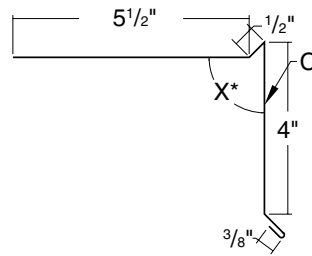
SOFFIT-PANEL FLASHING/ACCESSORY PROFILES

CLEAT



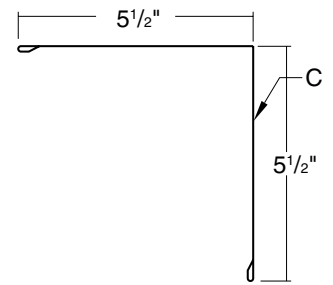
Length 10'-2"

GRAVEL STOP



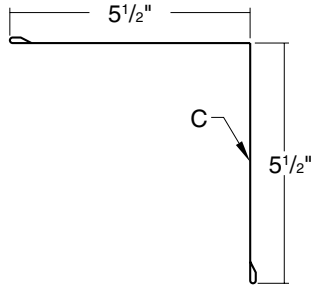
Length 10'-2", 20'-3" - *Specify slope angle

OUTSIDE CORNER



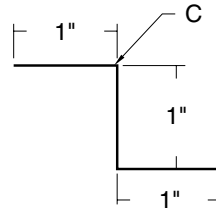
Length 10'-2", 20'-3"

INSIDE CORNER



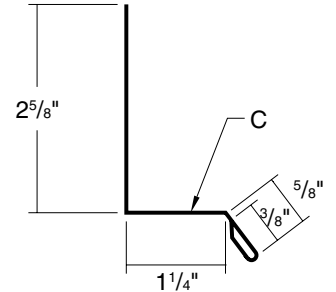
Length 10'-2", 20'-3"

Z-CLOSURE



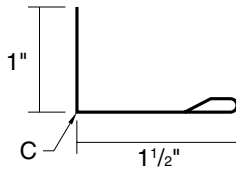
Length 10'-2"

1.25" BASE



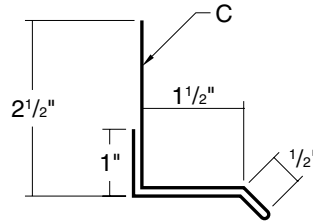
Length 10'-2"

MITER TRIM



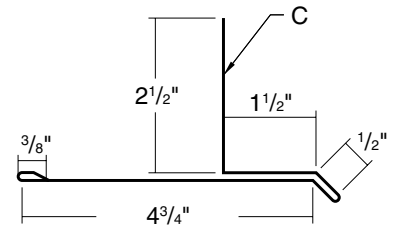
Length 10'-2"

1.5" SILL/HEAD



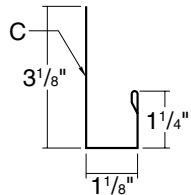
Length 10'-2"

1.5" SILL TO SOFFIT



Length 10'-2"

SOFFIT PANEL JAMB

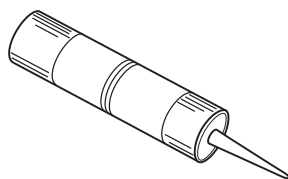


Length 10'-2"

C- Indicates color side of flashing.

SOFFIT-PANEL ACCESSORY PROFILES

TUBE SEALANT



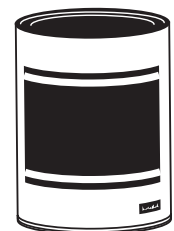
10.3 oz. Cartridge Urethane

TAPE SEALANT



3/8" X 3/32" X 50'
Single Bead Butyl - Gray

TOUCH-UP PAINT


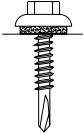
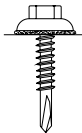
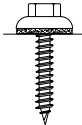
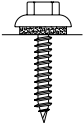
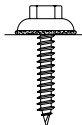


Available in pints PVDF / MS CF30

FASTENER INSTALLATION TECHNIQUE

Recommended Tool Type - Use depth locating nose or adjustable clutch on screw gun to prevent overdrilling and strip out. **Do not use impact tools or runners.**

Seating the washer - Apply sufficient torque to seat the washer - do not overdrive the fastener.

	CORRECT Sealing material slightly visible at edge of metal washer. Assembly is watertight.	TOO LOOSE Sealing material is not visible; not enough compression to seal properly.	TOO TIGHT Metal washer deformed; sealing material pressed beyond washer edge.
SELF DRILLER			
WOODSCREW			

To prevent wobbling - Make sure fastener head is completely engaged in the socket. If the head does not go all the way in the socket - tap the magnet deeper into the socket to allow full head engagement. Metal chips will build up from drilling and should be removed from time to time.

Protect drill point - Push only hard enough on the screw gun to engage clutch. This prevents excess friction and burn out of the drill point. Correct pressure will allow screw to drill and tap without binding.

Drilling through sheet and insulation - Ease up on pressure when drilling through insulation to avoid striking the purlin or girt with the point - apply more pressure after drill point contacts purlin or girt.

Drilling through purlin overlaps - Drilling through lapped purlins requires extra care. Excessive voids between purlins sometimes damages drill points and two self-drillers might be necessary to complete the operation. It is sometimes advantageous to predrill.

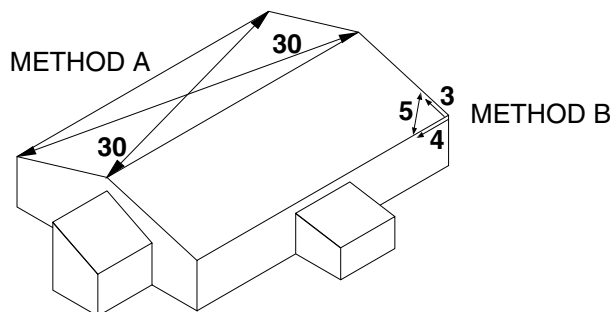
CONDITION OF SUBSTRUCTURE

Whether over solid substrate or open structural framing, panel distortion may occur if not applied over properly aligned and uniform substructure.

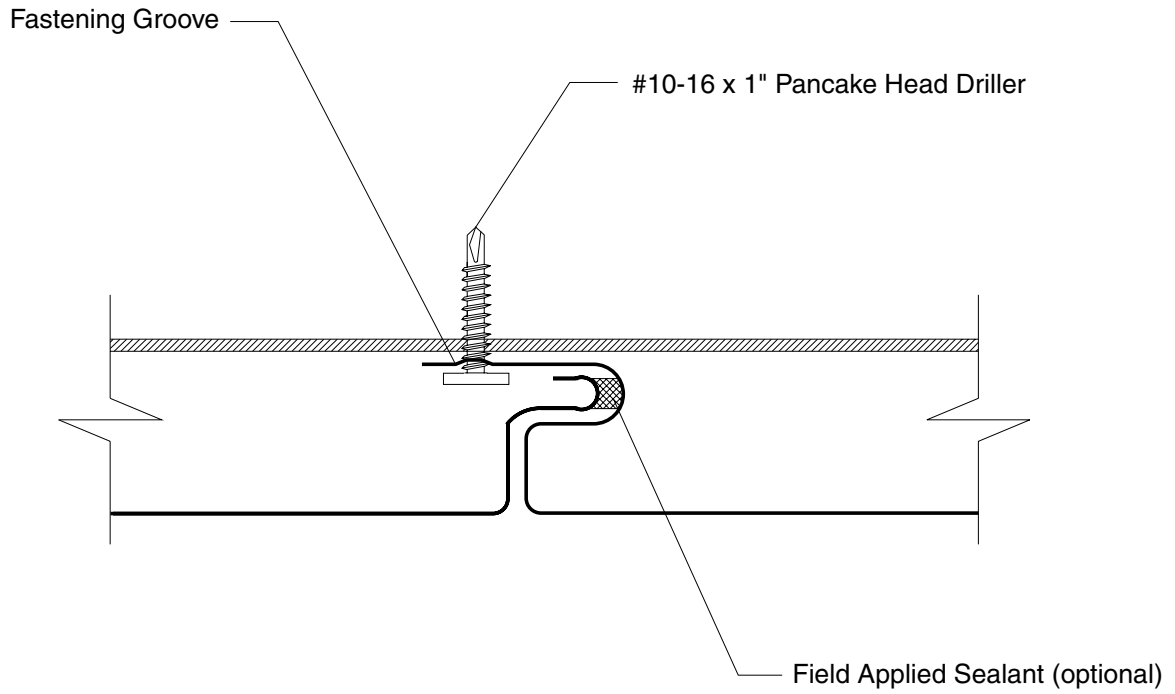
The installer should check the wall or overhang for squareness before installing Soffit panels. Several methods can be used to verify squareness of the structure for proper installation of the panels. Note: Methods below are for roof applications but can be applied for wall or Soffit overhang.

METHOD "A" - One method for checking the roof for squareness is to measure diagonally across one slope of the roof from similar points at the ridge and eave and obtain the same dimension.

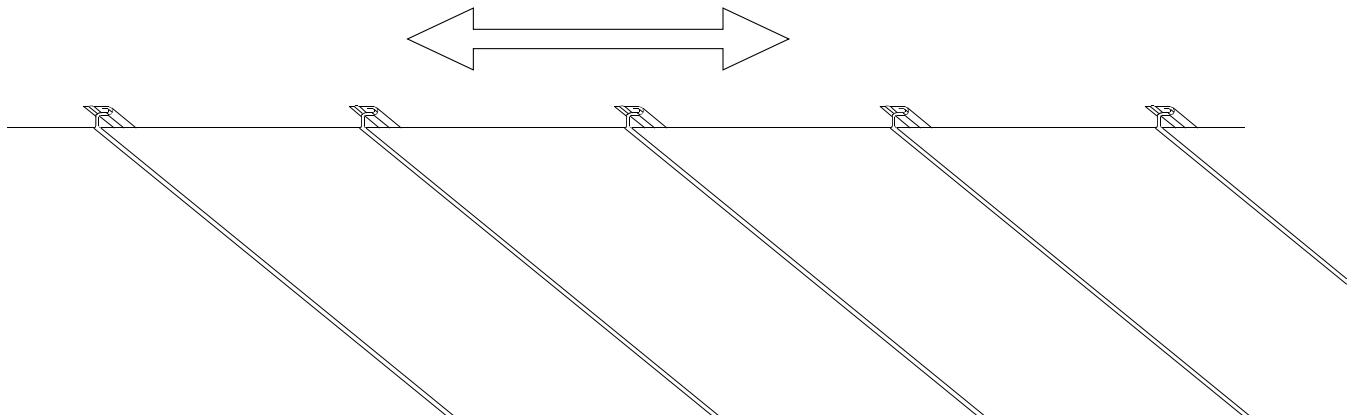
METHOD "B" - The 3-4-5 triangle system may also be used. To use this system measure a point from the corner along the edge of the roof at a module of three (3). Measure a point from the same corner along another edge at a module of four (4). Then by measuring diagonally between the two points established, the dimension should be exactly a module of five (5) to have a square corner. Multiple uses of this system may be required to determine building squareness. If the endwall cannot be made square, the roof system cannot be installed as shown in these instructions.



SOFFIT FASTENING INFORMATION

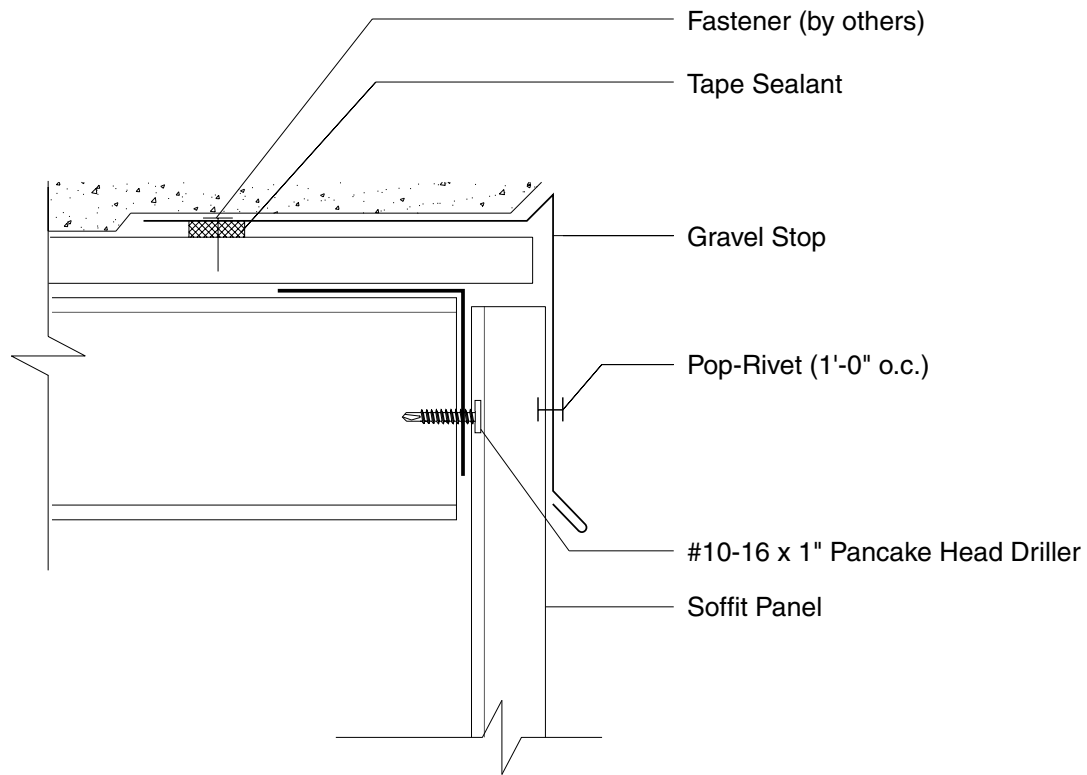


Soffit panel can be installed right to left or left to right.



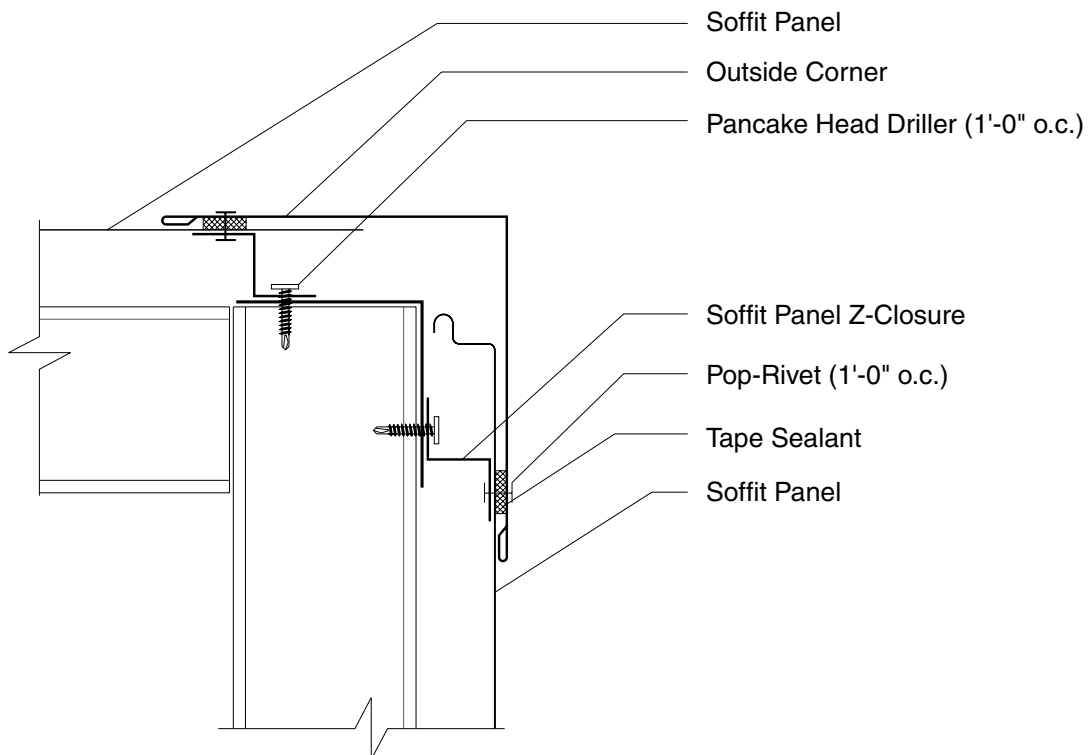
SOFFIT-PANEL

GRAVEL STOP DETAIL

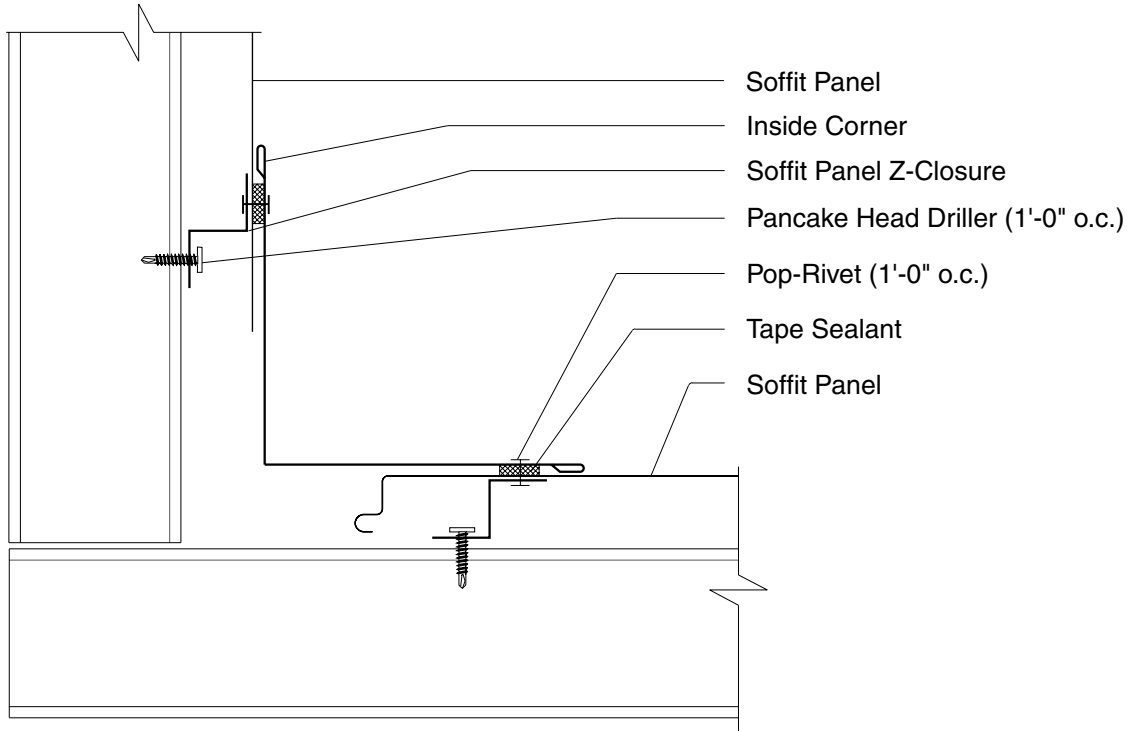


SOFFIT-PANEL

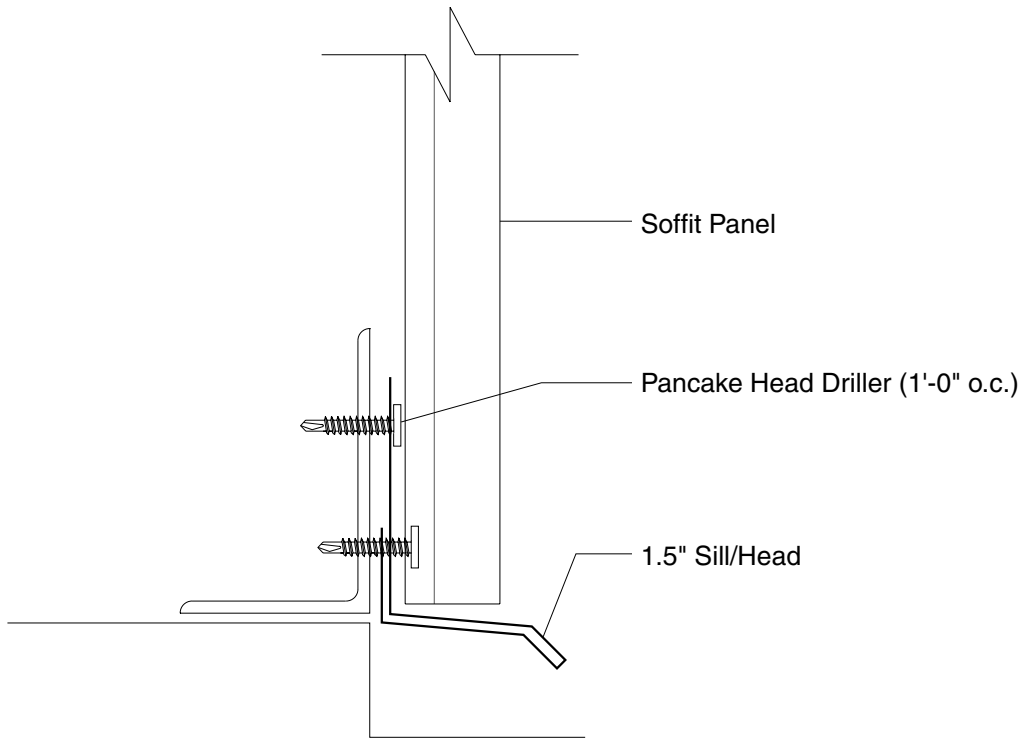
OUTSIDE CORNER DETAIL



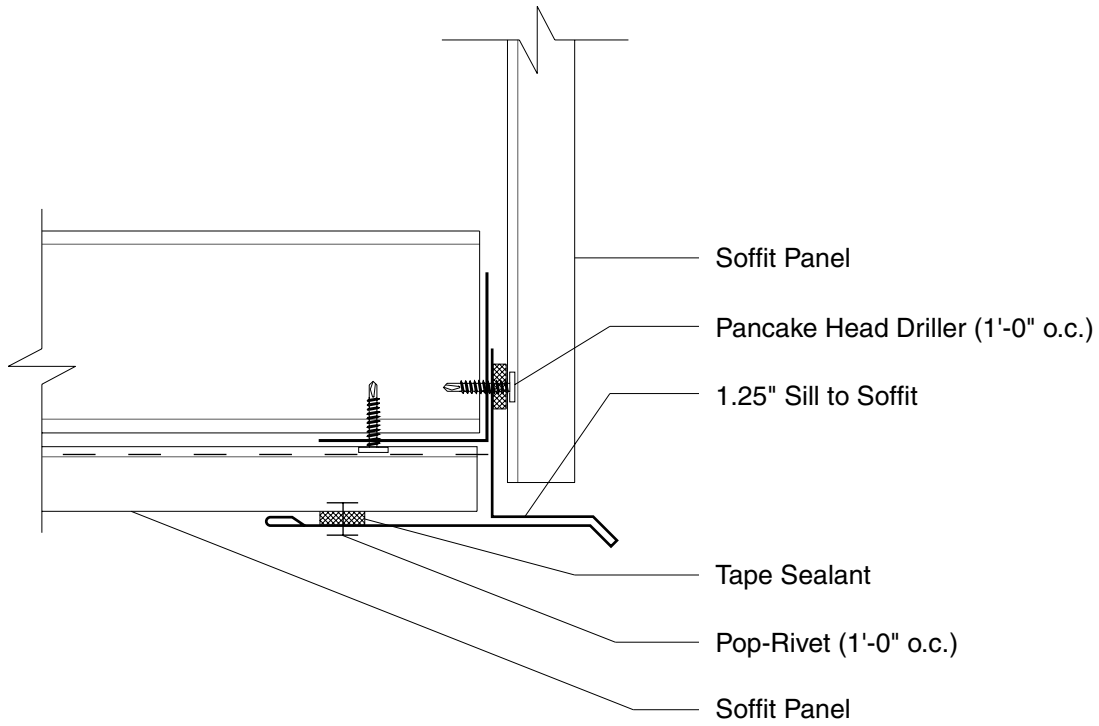
SOFFIT-PANEL INSIDE CORNER DETAIL



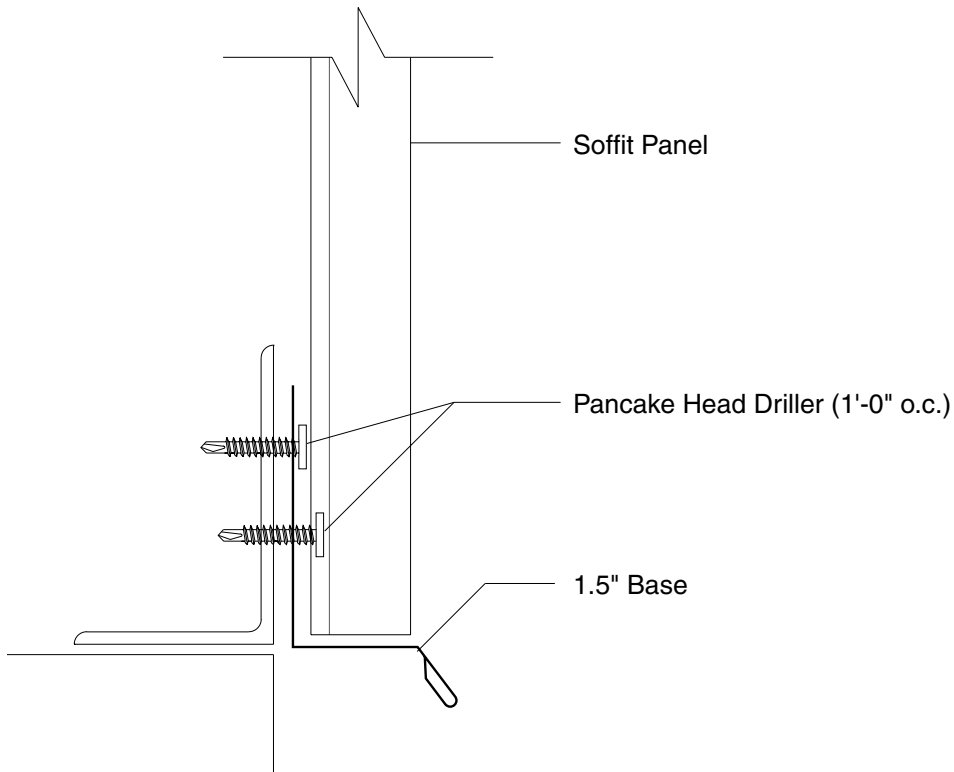
SOFFIT-PANEL SILL/HEAD DETAIL



SOFFIT-PANEL SILL TO SOFFIT DETAIL

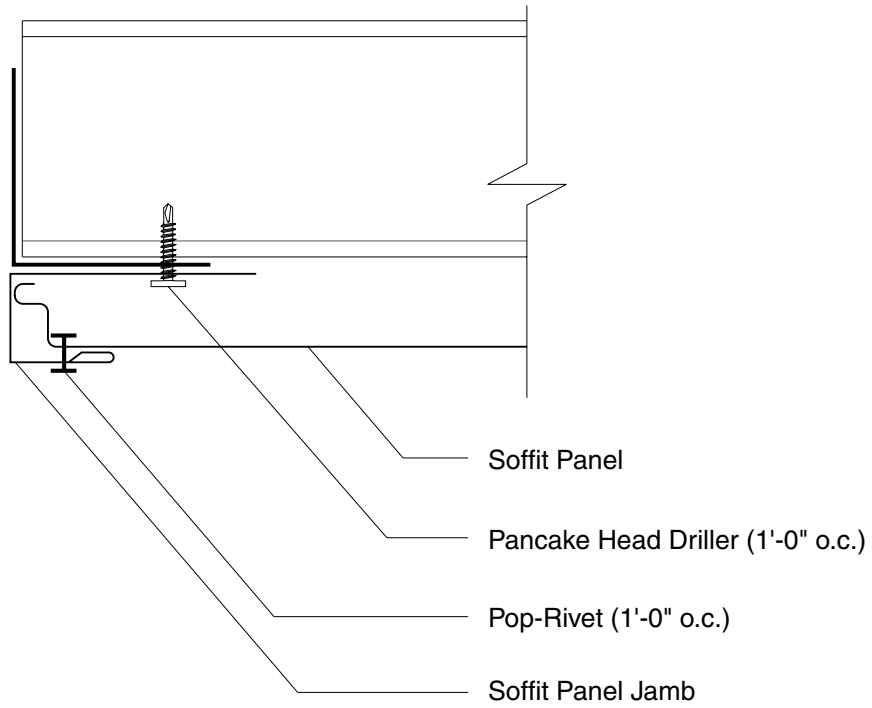


SOFFIT-PANEL BASE DETAIL



SOFFIT-PANEL

JAMB DETAIL



SOFFIT-PANEL

SOFFIT TO WALL DETAIL

