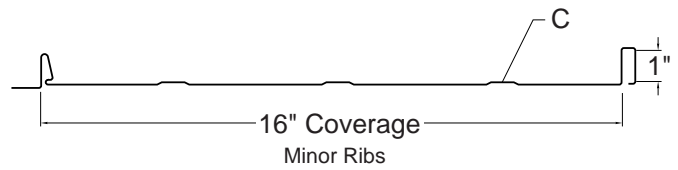
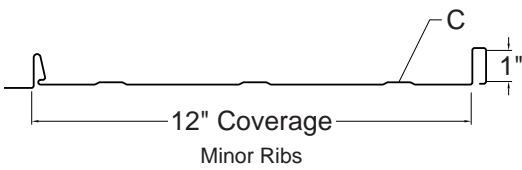


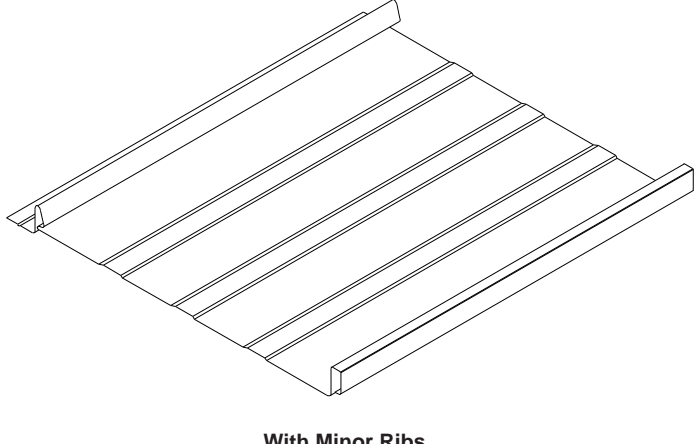
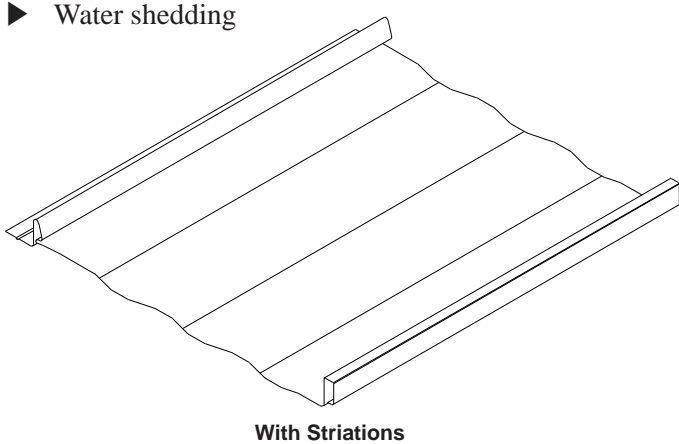
IMAGE II



- ARCHITECTURAL
RESIDENTIAL
PANEL
- CONCEALED
FASTENERS
- 12" OR 16"
COVERAGE
- MINIMUM
3:12 SLOPE
- SOLID WOOD
SUBSTRATE

PANEL OVERVIEW

- ▶ Finishes: MS Colorfast45®, Kynar 500 (PVDF), and Acrylic Coated Galvalume®
- ▶ Gauge: 26ga standard
- ▶ 12" or 16" panel coverage, 1" rib height
- ▶ Architectural concealed direct fasten integral standing rib roof panel
- ▶ Applies over plywood substrate with 30 pound felt underlayment
- ▶ Minimum roof slope: 3:12
- ▶ Water shedding



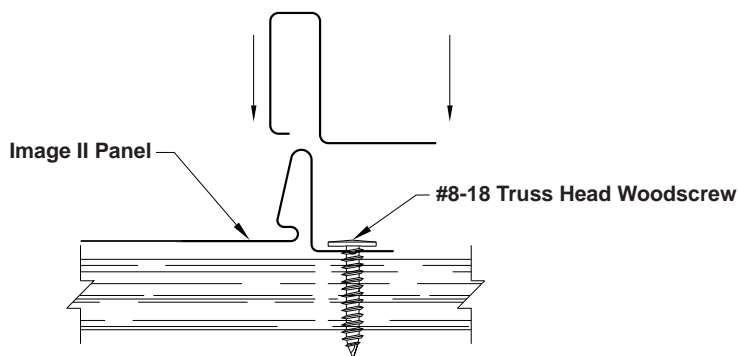
TESTING

- ▶ Rated ASTM E-1592
- ▶ UL 2218, Class 4 Impact Resistance
- ▶ UL 790, Class A Fire Resistance Rating
- ▶ Miami-Dade Approved 05-0919.03 (80 ksi only)
- ▶ Florida Building Code Approved 5807.5 (80 ksi only)
- ▶ UL-580 Class 90 Uplift - Construction #529 over 5/8" Plywood

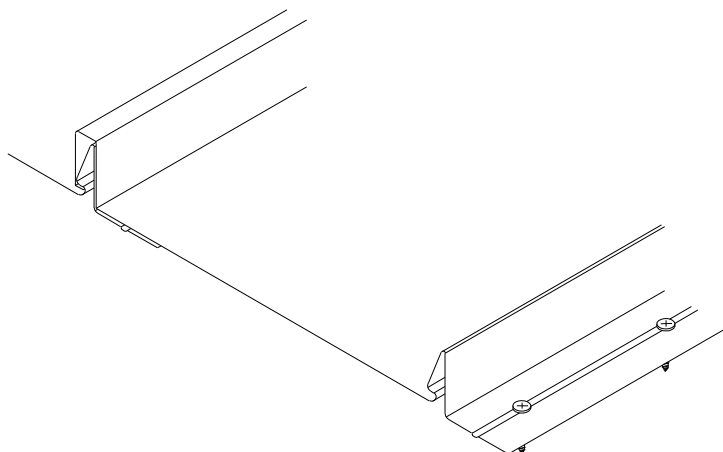


IMAGE II

ATTACHMENT DETAIL



FASTENING PATTERN



GENERAL INFORMATION

► Slope

The minimum recommended slope for the Image II roof panel is 3:12.

► Substructure

Image II is designed to be utilized over a solid substrate. To avoid panel distortion use a properly aligned and uniform substructure.

NOTE: Image II roof panels are not recommended for use over open structural framing.

► Coverage

Image II panels are available in a 1" seam height with a 12" or 16" width coverage.

► Length

Minimum factory cut length is 5'-0". Maximum recommended panel length is 30'-0". Longer panels require additional consideration in packaging, shipping, and erection. Please consult Metal Sales for recommendations.

► Fasteners

The fastener selection guide should be consulted for choosing the proper fastener for specific applications. Quantity and type of fastener must meet necessary loading and code requirements.

NOTE: All panels are subject to surface distortion due to improperly applied fasteners. Overdriven fasteners will cause stress and induce oil canning across the face of the panel at or near the point of attachment.

► Availability

Finishes: Acrylic Coated Galvalume®, MS Colorfast45®, or various Kynar 500 (PVDF) colors.

Gauge: 26ga standard

SECTION PROPERTIES

ALLOWABLE UNIFORM LIVE LOADS PSF (3 or More Equal Spans)

Ga.	Width (in.)	Yield KSI	Weight PSF	Top in Compression				Bottom in Compression				Outward Uplift (Stress) Load					
				lxx In ⁴ /ft		Sxx In ³ /ft		lxx In ⁴ /ft		Sxx In ³ /ft		0'-6"	1'-0"	1'-3"	1'-6"	1'-9"	2'-0"
				0.0157	0.0168	0.0163	0.0175	86	71	64	56	46	42				
26	16"	80	0.90														

- Theoretical section properties have been calculated per AISI 2001 "Specification for the Design of Cold-formed Steel Structural Members." Ixx and Sxx are effective section properties for deflection and bending.
- Allowable load is calculated in accordance with AISI 2001 specifications considering bending, shear, combined bending and shear, deflection testing, fastener pullout from 5/8" plywood, and pullover. Allowable load considers the worst case of 3 and 4 equal span conditions. Allowable load does not address web crippling. Panel weight is not considered.
- Deflection consideration is limited by a maximum deflection ratio of L/180 of span.
- Allowable loads do not include a 1/3 stress increase in uplift.

metal sales
manufacturing corporation



Kent, WA (800) 431-3470
 Temple, TX (800) 543-4415
 Longmont, CO (800) 289-7663
 Antioch, TN (800) 251-8508
 Woodland, CA (800) 759-6019
 Rogers, MN (800) 328-9316
 Spokane, WA (800) 572-6565

Jefferson, OH (800) 321-5833
 Rock Island, IL (800) 747-1206
 Sellersburg, IN (800) 999-7777
 Jacksonville, FL (800) 394-4419
 Orwigsburg, PA (800) 544-2577
 Independence, MO (800) 747-0012
 Fontana, CA (800) 782-7953

Anchorage, AK (866) 640-7663
 Bay City, MI (888) 777-7640
 Detroit Lakes, MN (888) 594-1394
 Mocksville, NC (800) 228-6119