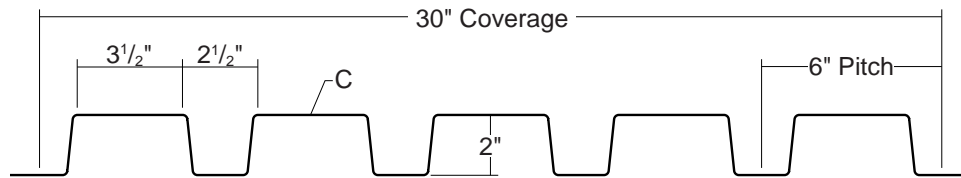


# T2630 WALL PANEL

CONDENSED  
TECHNICAL  
REFERENCE

## WALL PANEL



ARCHITECTURAL  
COMMERCIAL  
INDUSTRIAL  
PANEL

DIRECT  
FASTEN

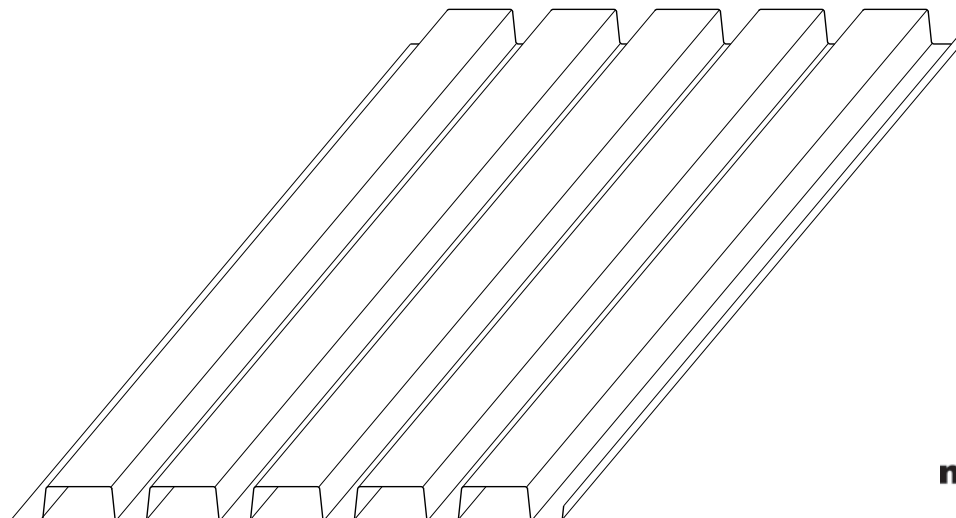
30"  
COVERAGE

WALL  
PANEL

OPEN FRAMING OR  
SOLID SUBSTRATE

## PANEL OVERVIEW

- ▶ Finishes: Kynar 500 (PVDF) standard, optional; multi-pass Kynar, Marblique, Plastisol, Polyester, and MS Colorfast45® (SMP)
- ▶ Gauges: 24ga, 22ga, 20ga, and 18ga
- ▶ 30" panel coverage, 2" rib height
- ▶ Trapezoidal ribs on 6" centers
- ▶ Optional material availability: Stainless Steel, Copper, and Aluminum
- ▶ Custom capabilities include:
  - Perforated panels for wind screens and liner panels
- ▶ Exposed Fastened Panel



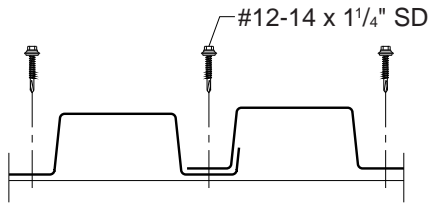
metal sales  
manufacturing corporation



# T2630 WALL PANEL

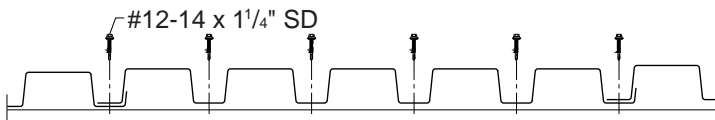
## CONDENSED TECHNICAL REFERENCE

### ATTACHMENT DETAIL

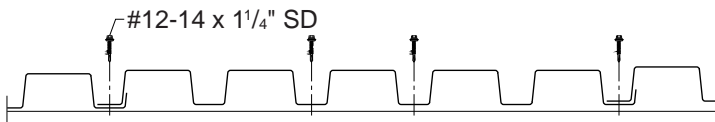


### FASTENING PATTERNS

#### Ends of Panel



#### Field of Panel



### GENERAL INFORMATION

#### ► Substructure

T2630 Panel is designed to be utilized over open structural framing or a solid substrate.

#### ► Coverage

T2630 Panels are available in a 2" depth with a 30" width coverage.

#### ► Length

Minimum factory cut length is 5'-0".  
Maximum recommended panel length is 32'-0".

#### ► Fasteners

The fastener selection guide should be consulted for choosing the proper fastener for specific applications. Quantity and type of fastener must meet necessary loading and code requirements.

*NOTE: All panels are subject to surface distortion due to improperly applied fasteners. Overdriven fasteners will cause stress and induce oil canning across the face of the panel at or near the point of attachment.*

#### ► Availability

Finishes: Kynar 500 (PVDF) standard; optional: multi-pass Kynar, Marblique, Plastisol, Polyester, and MS Colorfast45® (SMP)  
Gauges: 24ga, 22ga, 20ga, and 18ga

### SECTION PROPERTIES

### ALLOWABLE UNIFORM LIVE LOADS PSF (3 or More Equal Spans)

Ga.	Width (in.)	Yield KSI	Weight PSF	Top in Compression		Bottom in Compression		Inward Load						Outward/Uplift Load					
				Ixx In <sup>4</sup> /ft	Sxx In <sup>3</sup> /ft	Ixx In <sup>4</sup> /ft	Sxx In <sup>3</sup> /ft	6'	7'	8'	10'	12'	14'	6'	7'	8'	10'	12'	14'
24	30"	50	1.47	0.1996	0.1731	0.2348	0.1879	119	88	68	44	29	18	110	81	63	40	28	18
22	30"	50	1.95	0.2840	0.2556	0.3312	0.2734	175	129	99	64	37	24	164	121	93	59	37	24
20	30"	33	2.31	0.3720	0.3568	0.4280	0.3685	155	114	88	56	39	28	150	111	85	55	38	28
18	30"	33	3.03	0.5280	0.5204	0.5840	0.5156	216	160	123	79	55	36	218	161	124	80	55	36

- Theoretical section properties have been calculated per AISI 2001 "Specification for the Design of Cold-formed Steel Structural Members." Ixx and Sxx are effective section properties for deflection and bending.
- Allowable load is calculated in accordance with AISI 2001 specifications considering bending, shear, combined bending and shear, deflection, and applicable testing when available. Allowable load considers the worst case of 3 and 4 equal span conditions. Allowable load does not address web crippling or fasteners/support connection and panel weight is not considered.
- Deflection consideration is limited by a maximum deflection ratio of L/180 of span.
- Allowable loads do not include a 1/3 stress increase in uplift.

**metal sales**  
manufacturing corporation



Kent, WA (800) 431-3470  
Temple, TX (800) 543-4415  
Longmont, CO (800) 289-7663  
Antioch, TN (800) 251-8508  
Woodland, CA (800) 759-6019  
Rogers, MN (800) 328-9316  
Spokane, WA (800) 572-6565

Jefferson, OH (800) 321-5833  
Rock Island, IL (800) 747-1206  
Sellersburg, IN (800) 999-7777  
Jacksonville, FL (800) 394-4419  
Orwigsburg, PA (800) 544-2577  
Independence, MO (800) 747-0012  
Fontana, CA (800) 782-7953

Anchorage, AK (866) 640-7663  
Bay City, MI (888) 777-7640  
Detroit Lakes, MN (888) 594-1394  
Mocksville, NC (800) 228-6119

©MST2630W/11-2008