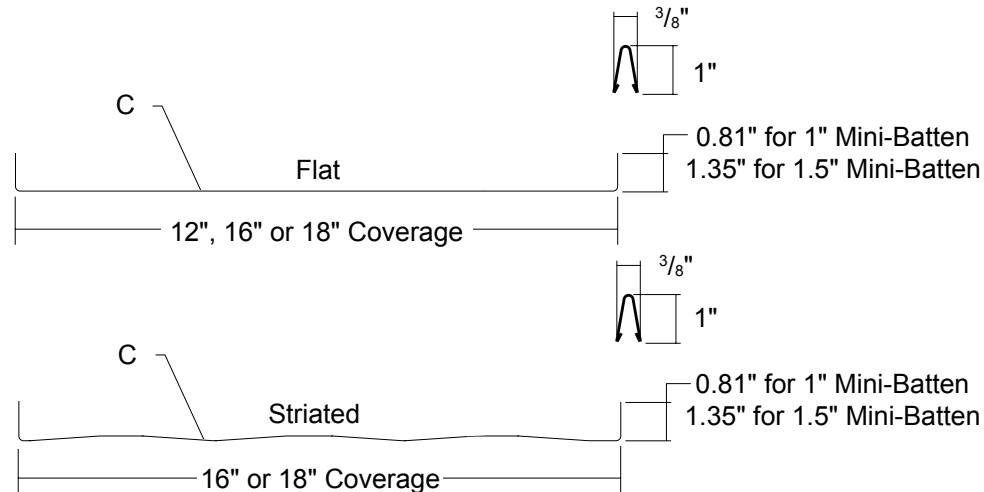


# MINI-BATTEN

Condensed  
Technical  
Reference



ARCHITECTURAL  
PANEL

CONCEALED  
FASTENED

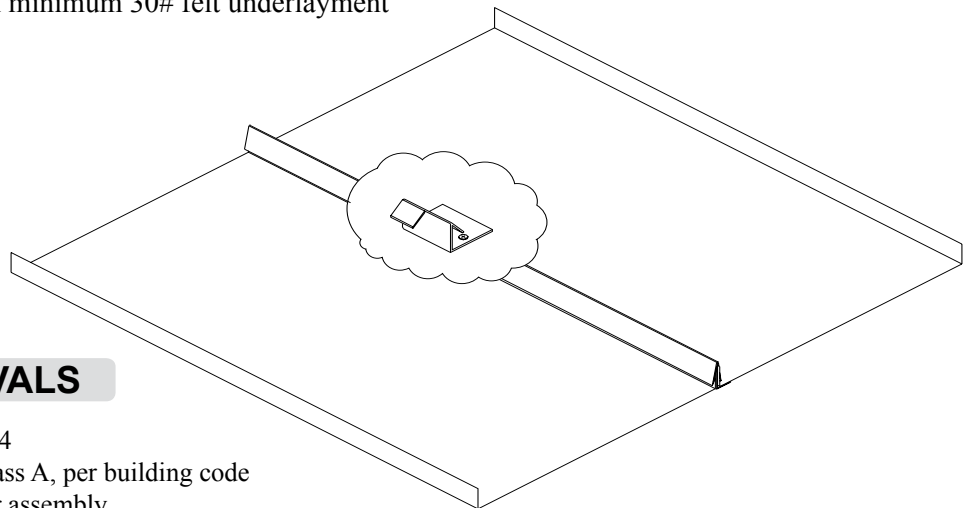
12", 16" OR 18"  
COVERAGE

MINIMUM  
SLOPE  
3:12

SOLID  
SUBSTRATE

## PANEL OVERVIEW

- ▶ Finishes: PVDF, MS Colorfast45<sup>®</sup> and Acrylic-Coated Galvalume<sup>®</sup>
- ▶ Corrosion Protection: AZ55 per ASTM A 792 for unpainted Galvalume<sup>®</sup>  
AZ50 per ASTM A 792 for painted Galvalume<sup>®</sup>  
G90 per ASTM A 653 for Galvanized
- ▶ Gauges: 26 ga and 24 ga standard; 22 ga optional
- ▶ 12", 16" or 18" panel coverage, 1" or 1 1/2" rib height with narrow batten cap
- ▶ Panel Length: Minimum: 5'; Maximum: 45' recommended
- ▶ Architectural standing rib roof system
- ▶ Applies over solid substrate with minimum 30# felt underlayment
- ▶ Minimum roof slope: 3:12
- ▶ Flat and Striated pan available



## TESTING AND APPROVALS

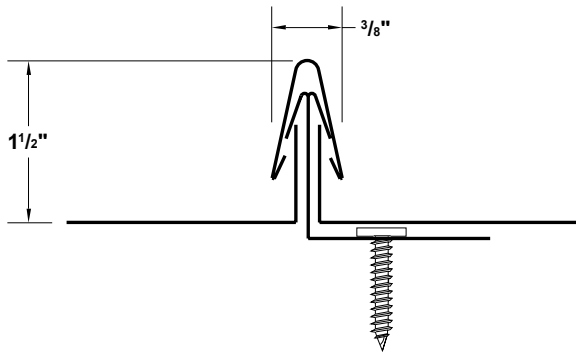
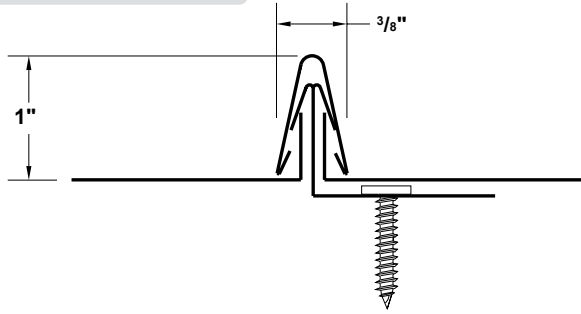
- ▶ UL 2218 Impact Resistance - Class 4
- ▶ UL 790 Fire Resistance Rating - Class A, per building code
- ▶ UL 263 Fire Resistance Rating - per assembly
- ▶ UL 580 Uplift Resistance - Class 90 Constructions:
  - 1" Mini-Batten: #397, #397A and #430
  - 1 1/2" Mini-Batten: #352
- ▶ ASTM E 283 Air Leakage - 0.005 cfm/ft<sup>2</sup> at 6.24 psf
- ▶ ASTM E 331 Water Penetration - none at 12 psf

**ms metal sales**<sup>™</sup>  
manufacturing corporation

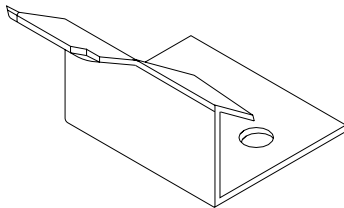
# MINI-BATTEN

Condensed  
Technical  
Reference

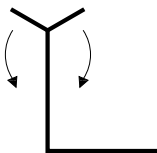
## ATTACHMENT DETAILS



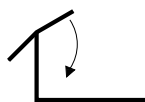
## PANEL CLIPS



BEND DOWN OVER PANEL



MINI-BATTEN  
(1 1/2" rib height)



MINI-BATTEN  
(1" rib height)

## FASTENING INFORMATION

### ► Clips

Clip spacing is based upon the design loads, the spanning capacity of the panels, the fasteners and the support members.

Clips are 0.027" thick, G90 galvanized.

Clips can accommodate thermal expansion and contraction.

### ► Fasteners

Overdriven fasteners will cause panel distortions.

Fasteners should extend 1/2" or more past the inside face of the support material.

Clip Fasteners:

#10-12 Pancake Head Wood Screw

Concealed End Fastener:

#10-12 Pancake Head Wood Screw

Trim Fasteners:

1/4"-14 x 7/8" XL Stitch Screw

1/8" x 3/16" Pop Rivet

©MS1280MNB/10-2016

**ms metal sales**<sup>™</sup>  
manufacturing corporation

[metalsales.us.com](http://metalsales.us.com)

Anchorage, AK 866.640.7663  
Bay City, MI 888.777.7640  
Deer Lake, PA 800.544.2577  
Denver, CO 800.289.7663

Detroit Lakes, MN 888.594.1394  
Fontana, CA 800.782.7953  
Fort Smith, AR 877.452.3915  
Independence, MO 800.747.0012

Jacksonville, FL 800.394.4419  
Jefferson, OH 800.321.5833  
Mocksville, NC 800.228.6119  
Nashville, TN 800.251.8508  
Rock Island, IL 800.747.1206  
Rogers, MN 800.328.9316

Seattle, WA 800.431.3470  
Sellersburg, IN 800.999.7777  
Sioux Falls, SD 888.902.8320  
Spokane, WA 800.572.6565  
Temple, TX 800.543.4415  
Woodland, CA 800.759.6019