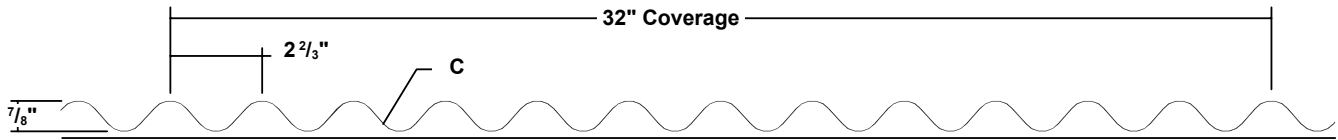


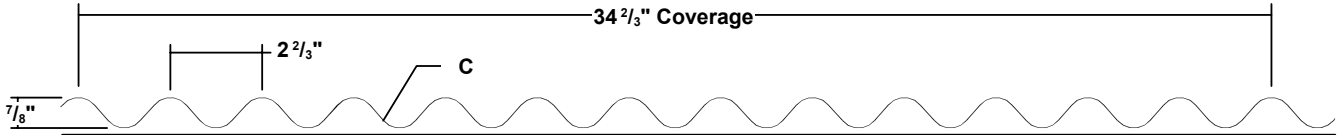
<b>Product</b>	<b>Page No.</b>	<b>Product</b>	<b>Page No.</b>
<b>Panel Information</b>		<b>Detail Conditions</b>	
7/8" Corrugated Panel Profiles.....	P7/8-2	Eave Detail .....	P7/8-9
Panel Overview .....	P7/8-2	Box Gutter Detail .....	P7/8-9
<b>Flashing Profiles</b>		Valley Detail .....	P7/8-10
Eave .....	P7/8-3	Rake Detail .....	P7/8-10
Cleat .....	P7/8-3	Rakewall Detail.....	P7/8-11
Box Gutter .....	P7/8-3	Endwall Detail.....	P7/8-11
Box Gutter End.....	P7/8-3	Peak Detail .....	P7/8-12
Universal Gutter/Downspout Strap.....	P7/8-3	Ridge/Hip Detail.....	P7/8-12
4" x 3 1/2" Downspout.....	P7/8-3	Gravel Stop Detail .....	P7/8-13
4" x 3 1/2" 90° Elbow.....	P7/8-3	Outside Corner Detail.....	P7/8-13
Downspout Bracket .....	P7/8-3	Inside Corner Detail.....	P7/8-14
Valley .....	P7/8-3	Jamb Detail.....	P7/8-14
Rake .....	P7/8-3	Sill/Head Detail .....	P7/8-15
Rakewall .....	P7/8-3	Base Detail .....	P7/8-15
Pitch Break .....	P7/8-3	<b>Notes</b>	
Counter Flashing .....	P7/8-3	Notes .....	P7/8-16
Reglet Flashing.....	P7/8-3		
Peak .....	P7/8-3		
11" Ridge/Hip Cover .....	P7/8-4		
Gravel Stop.....	P7/8-4		
Outside Corner .....	P7/8-4		
Inside Corner .....	P7/8-4		
1.5" Sill/Head.....	P7/8-4		
1.5" Sill to Soffit .....	P7/8-4		
1.25" Base .....	P7/8-4		
Jamb.....	P7/8-4		
<b>Accessory Profiles</b>			
Universal Closure .....	P7/8-5		
Tube Sealant .....	P7/8-5		
Tape Sealant.....	P7/8-5		
Rubber Roof Jack.....	P7/8-5		
Retro Roof Jack.....	P7/8-5		
Rubber Roof Flash Kit .....	P7/8-5		
Touch-Up Paint.....	P7/8-5		
Continuous Ridge Vent.....	P7/8-5		
Louver with Screen.....	P7/8-5		
7/8" Corrugated Closure.....	P7/8-5		
<b>Testing Information</b>			
Section Properties (Roof Panel).....	P7/8-6		
Section Properties (Roof Panel).....	P7/8-7		
<b>Design/Installation Considerations</b>			
Fasting Patterns .....	P7/8-8		

# 7/8" CORRUGATED PANEL OVERVIEW

## ROOF PANEL PROFILE



## WALL PANEL PROFILE



## SLOPE

The minimum recommended slope for any 7/8" Corrugated panel roofing panel is 1:12.

## SUBSTRATE

7/8" Corrugated panel is designed to be utilized over open structural framing, but can easily be used with a solid substrate. For solid substrate applications, the recommended substrate is 3/8" plywood with a 30 pound felt moisture barrier. To avoid panel distortion, use a properly aligned and uniform substructure.

## COVERAGE

7/8" Corrugated panel roof coverage is 32", and wall coverage is 34<sup>2</sup>/<sub>3</sub>".

## LENGTH

Lengths under 5'-0" are available with some cutting restrictions. Maximum recommended panel length is 45'-0". Longer panels require additional consideration in packaging, shipping, and erection. Please consult your Metal Sales branch for recommendations (see PGI-2 and 3 for locations).

## AVAILABILITY

Panels are available in 26, 24, 22 Gauge. 20 Gauge optional. Minimum quantity may apply.

## APPLICATION

Commercial, Industrial panel.

## FASTENING SYSTEM

Direct fastened (exposed).

## FASTENERS

The fastener selection guide should be consulted for choosing proper fasteners for specific applications. Quantity and type of fastener must meet necessary loading and code requirements (see PGI-12-14).

## MATERIALS

Steel grade 50 for 26, 24, and 22 Gauge. Steel Grade 33 for 20 Gauge, per ASTM A-792.

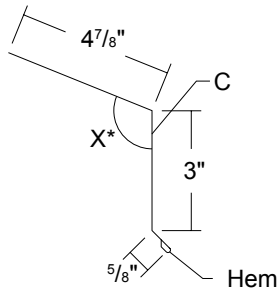
## FINISH

- ▶ \*Acrylic Coated Galvalume® (ACG) / ASTM A-792 - AZ55
- ▶ Prepainted Galvalume / ASTM A-792 - AZ50
- ▶ \*\*Fluorocarbon (PVDF)

\* Differential appearance of Acrylic Coated Galvalume roofing materials is not a cause for rejection.

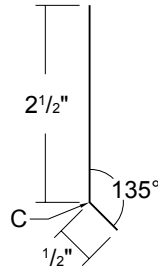
\*\* Meets both Kynar 500 and Hylar 5000 specifications.

**EAVE**



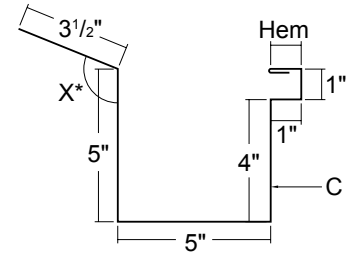
Length 10'-2" - \*Specify Slope Angle

**CLEAT**



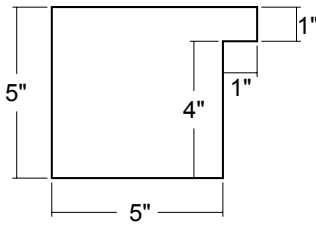
Length 10'-2"

**BOX GUTTER**

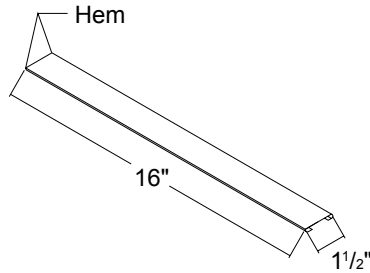


Length 10'-2", 20'-3" - \*Specify Slope Angle

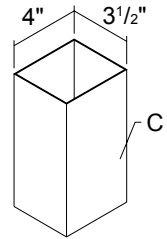
**BOX GUTTER END**



**UNIVERSAL GUTTER/ DOWNSPOUT STRAP**

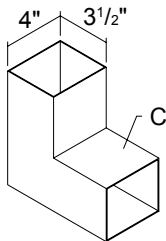


**DOWNSPOUT 4" x 3 1/2"**



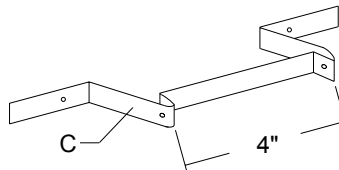
Length 10'-2", 20'-3"  
(Also available 6" x 4")

**95° ELBOW 4" x 3 1/2"**



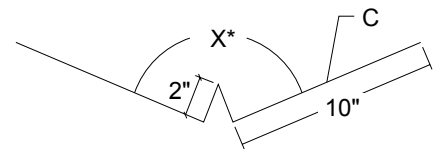
(Also available 6" x 4")  
(Also available in 45°)

**DOWNSPOUT BRACKET**



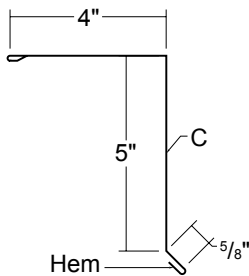
(Also available 6")

**VALLEY**



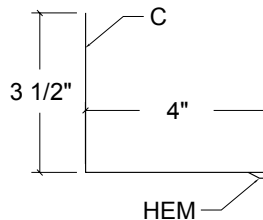
Length 10'-2", 20'-3" - \*Specify Slope Angle

**RAKE**



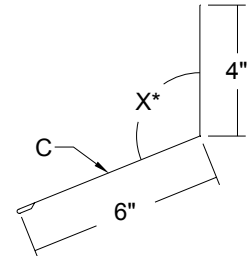
Length 10'-2", 20'-3"

**RAKEWALL**



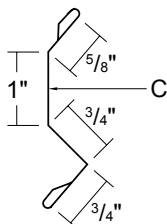
LENGTH 10'-2", 20'-3"

**PITCH BREAK**



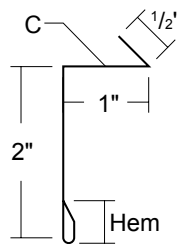
Length 10'-2" - \*Specify Slope Angle

**COUNTER FLASHING**



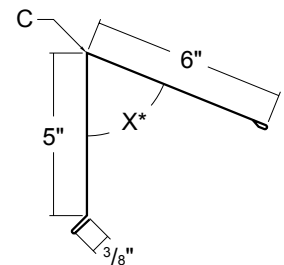
Length 10'-2"

**REGLET FLASHING**



Length 10'-2"

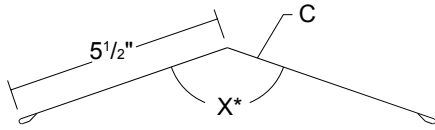
**PEAK**



Length 10'-2", 20'-3" - \*Specify Slope Angle

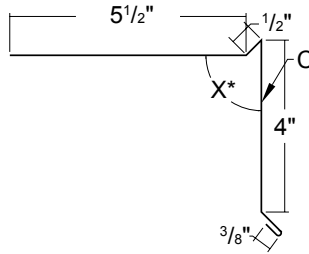
# 7/8" CORRUGATED FLASHING PROFILES (CONT.)

## 11" RIDGE/HIP COVER



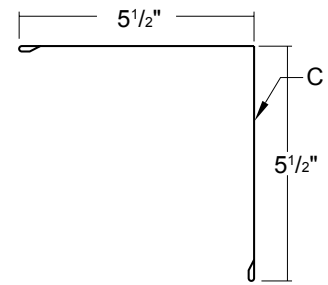
Length 10'-2", 20'-3" - \*Specify Slope Angle

## GRAVEL STOP



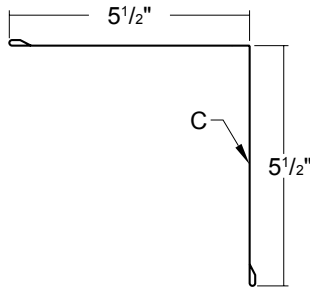
Length 10'-2", 20'-3" - \*Specify Slope Angle

## OUTSIDE CORNER



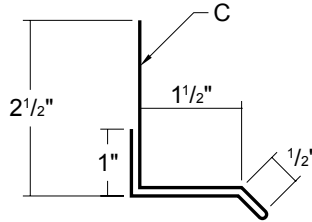
Length 10'-2", 20'-3"

## INSIDE CORNER



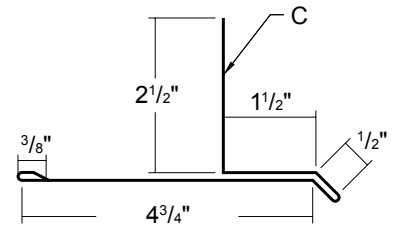
Length 10'-2", 20'-3"

## 1.5" SILL/HEAD



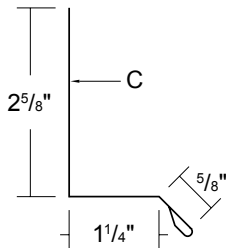
Length 10'-2"

## 1.5" SILL TO SOFFIT



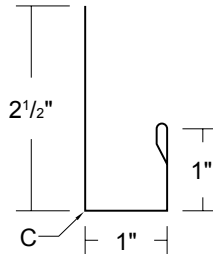
Length 10'-2"

## 1.25" BASE



Length 10'-2"

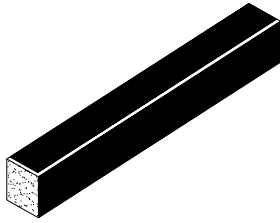
## JAMB



Length 10'-2"

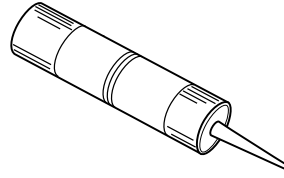
C- Indicates color side of flashing.

**UNIVERSAL CLOSURE**



1" x 1 1/2" x 50' Polyethylene Foam  
1" x 1 1/2" x 10' Polyethylene Foam

**TUBE SEALANT**



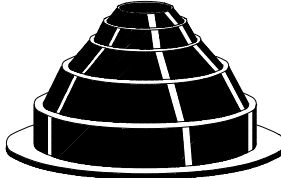
10.3 oz. Cartridge Urethane

**TAPE SEALANT**



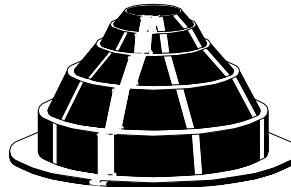
3/8" X 3/32" X 50'  
Single Bead Butyl - Gray

**RUBBER ROOF JACK**



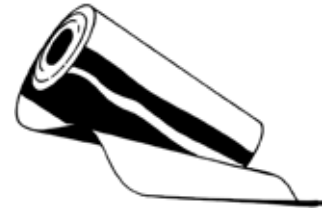
MINI (1/4" to 1 1/8" O.D. Pipe)  
#2 (1 3/4" to 3" O.D. Pipe)  
#4 (3" to 6" O.D. Pipe)  
#6 (6" to 9" O.D. Pipe)  
#8 (7" to 13" O.D. Pipe)

**RETRO ROOF JACK**



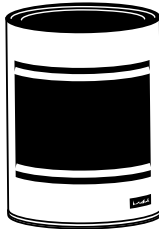
#801<sub>RETRO</sub> (3/4" to 2 3/4" O.D. Pipe)  
#802<sub>RETRO</sub> (2" to 7 1/4" O.D. Pipe)  
#803<sub>RETRO</sub> (3 1/4" to 10" O.D. Pipe)

**RUBBER ROOF FLASH KIT**



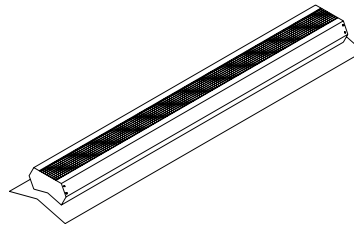
12" x 50'-0" Flash Kit  
18" x 50'-0" Flash Kit

**TOUCH-UP PAINT**



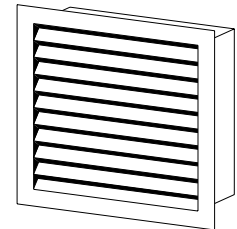
Available in pints  
PVDF / MS Colorfast45

**CONTINUOUS RIDGE VENT**



9" X 10'-0"  
12" X 10'-0"

**LOUVER WITH SCREEN**



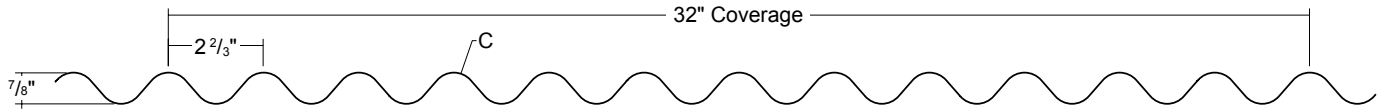
3'-0" X 3'-0"  
3'-0" X 4'-0"

**CORRUGATED CLOSURE**



Polyethylene Foam

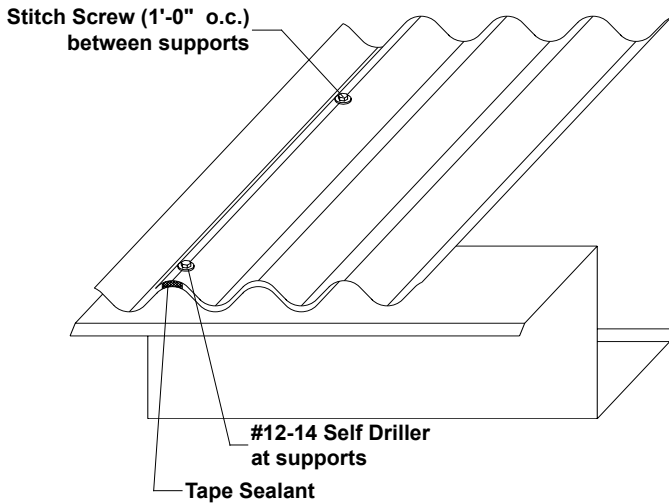
# 7/8" CORRUGATED SECTION PROPERTIES & GENERAL INFORMATION (ROOF PANEL)



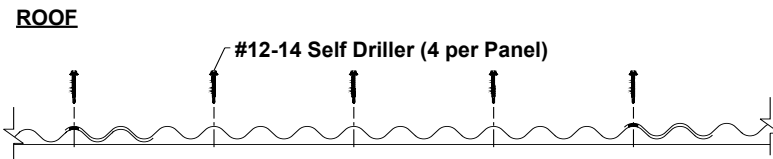
SECTION PROPERTIES								ALLOWABLE UNIFORM LIVE LOADS PSF (3 or More Equal Spans)											
Ga.	Width (in.)	Yield KSI	Weight PSF	Top in Compression		Bottom in Compression		Inward Load					Outward Load						
				Ixx In <sup>4</sup> /ft	Sxx In <sup>3</sup> /ft	Ixx In <sup>4</sup> /ft	Sxx In <sup>3</sup> /ft	2'	2.5'	3'	3.5'	4'	5'	2'	2.5'	3'	3.5'	4'	5'
26	32"	80	1.02	0.0278	0.0624	0.0278	0.0624	418	272	170	107	72	37	418	272	170	107	72	37
24	32"	50	1.33	0.0338	0.0801	0.0338	0.0801	156	143	131	113	99	80	156	143	131	113	99	80
22	32"	50	1.73	0.0450	0.1029	0.0450	0.1029	574	373	262	173	116	59	574	373	262	173	116	59
20	32"	33	2.11	0.0525	0.1234	0.0525	0.1234	454	295	207	153	117	69	454	295	207	153	117	69

1. Section properties and allowable loads are calculated per AISI 2001 including 2004 Supplement.
2. Ixx and Sxx are effective section properties for deflection and bending
3. Allowable loads/spans are calculated considering bending, shear, combined bending and shear and deflection.
4. Allowable loads/spans calculations do not include consideration for web crippling, fastener / connection limitations or uplift testing.
5. Allowable loads/spans do not include a 1/3 stress increase.
6. Allowable loads for 24 ga on 16 ga purlins are based on ASTM E 1592 test results.

## ROOF ATTACHMENT



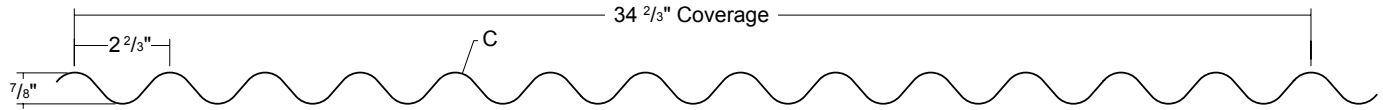
## FASTENING PATTERNS



## GENERAL INFORMATION

- ▶ **Slope**  
The minimum recommended slope for 7/8" Corrugated roofing panel is 1:12.
- ▶ **Substructure**  
7/8" Corrugated panel is designed to be utilized over open structural framing but can easily be used with a solid substrate. To avoid panel distortion use a properly aligned and uniform substructure.
- ▶ **Coverage**  
7/8" Corrugated panel has a coverage width of 32"
- ▶ **Length**  
Minimum factory cut length is 3'-0". Maximum recommended panel length is 45'-0". Longer panels require additional consideration in packaging, shipping, and erection. Please consult Metal Sales for recommendations.
- ▶ **Fastener**  
The fastener selection guide should be consulted for choosing the proper fastener for specific applications. Quantity and type of fastener must meet necessary loading and code requirements  
*NOTE: All panels are subject to surface distortion due to improperly applied fasteners. Overdriven fasteners will cause stress and induce oil canning across the face of the panel at or near the point of attachment.*
- ▶ **Availability**  
*Finishes:* Bare galvanized, MS Colorfast45®, PVDF, Weathering Steel, and Acrylic Coated Galvalume®  
*Gauges:* 26ga and 24ga standard, 22ga and 20ga optional

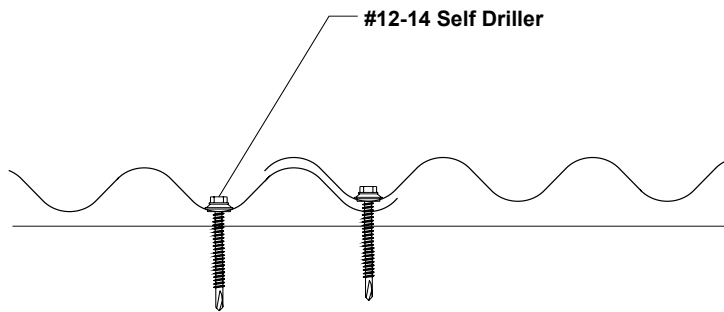
# 7/8" CORRUGATED SECTION PROPERTIES & GENERAL INFORMATION (WALL PANEL)



SECTION PROPERTIES								ALLOWABLE UNIFORM LIVE LOADS PSF (3 or More Equal Spans)											
Ga.	Width (in.)	Yield KSI	Weight PSF	Top in Compression		Bottom in Compression		Inward Load					Outward Load						
				Ixx In <sup>4</sup> /ft	Sxx In <sup>3</sup> /ft	Ixx In <sup>4</sup> /ft	Sxx In <sup>3</sup> /ft	2'	3'	4'	5'	6'	7'	2'	3'	4'	5'	6'	7'
26	34.67"	80	0.94	0.0255	0.0580	0.0255	0.0580	386	156	66	34	20	8	386	156	66	34	20	8
24	34.67"	50	1.22	0.0330	0.0744	0.0330	0.0744	175	151	127	102	78	30	175	151	127	102	78	30
22	34.67"	50	1.60	0.0413	0.0956	0.0413	0.0955	530	241	107	55	32	13	530	241	107	55	32	13
20	34.67"	33	1.95	0.0488	0.1146	0.0488	0.1146	419	191	108	64	37	16	419	191	108	64	37	16

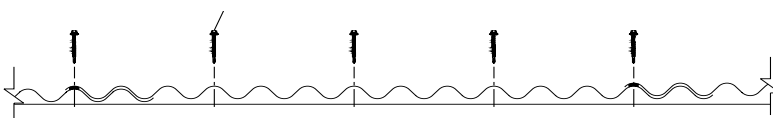
1. Section properties and allowable loads are calculated per AISI 2001 including 2004 Supplement.
2. Ixx and Sxx are effective section properties for deflection and bending
3. Allowable loads/spans are calculated considering bending, shear, combined bending and shear and deflection.
4. Allowable loads/spans calculations do not include consideration for web crippling, fastener / connection limitations or uplift testing.
5. Allowable loads/spans do not include a 1/3 stress increase.
6. Allowable loads for 24 ga. are based on ASTM E 330 test results attaching to 16 ga. girts

## WALL ATTACHMENT



## FASTENING PATTERN

### WALL



## GENERAL INFORMATION

### ► Substructure

7/8" Corrugated panel is designed to be utilized over open structural framing but can easily be used with a solid substrate. To avoid panel distortion use a properly aligned and uniform substructure.

### ► Coverage

7/8" Corrugated panel has a coverage width of 34 2/3"

### ► Length

Minimum factory cut length is 3'-0". Maximum recommended panel length is 45'-0". Longer panels require additional consideration in packaging, shipping, and erection. Please consult Metal Sales for recommendations.

### ► Fastener

The fastener selection guide should be consulted for choosing the proper fastener for specific applications. Quantity and type of fastener must meet necessary loading and code requirements

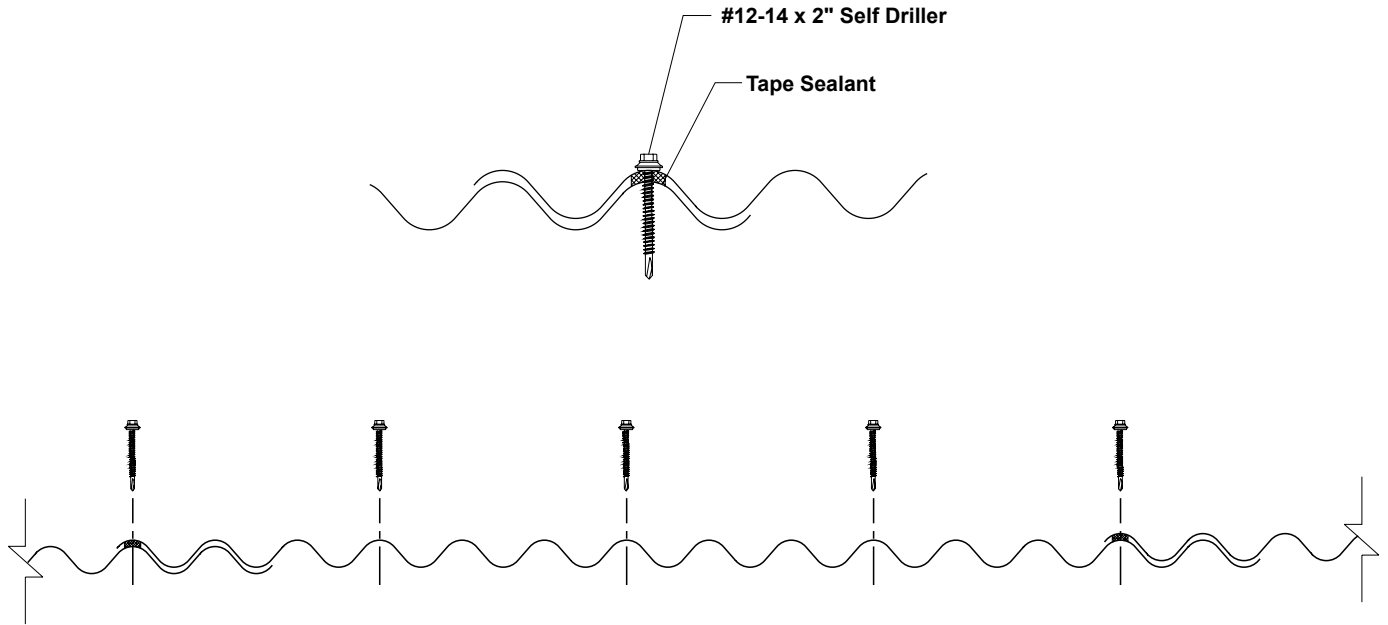
*NOTE: All panels are subject to surface distortion due to improperly applied fasteners. Overdriven fasteners will cause stress and induce oil canning across the face of the panel at or near the point of attachment.*

### ► Availability

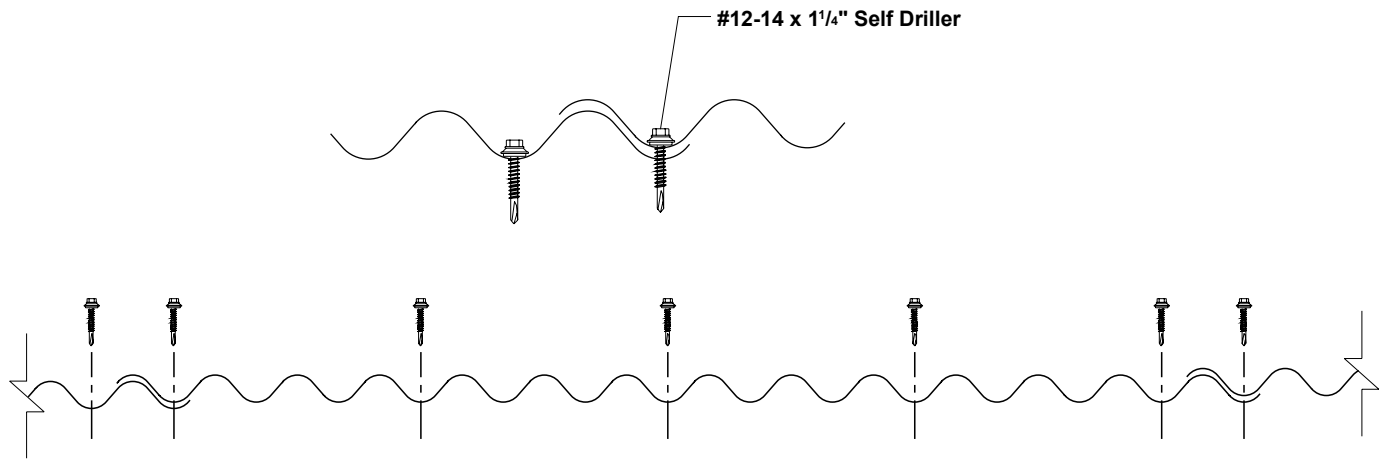
*Finishes:* Bare galvanized, MS Colorfast45®, PVDF, Weathering Steel, and Acrylic Coated Galvalume®

*Gauges:* 26ga, 24ga, 22ga, and 20ga

**ROOF PANEL FASTENING PATTERN**



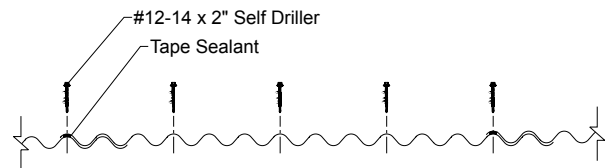
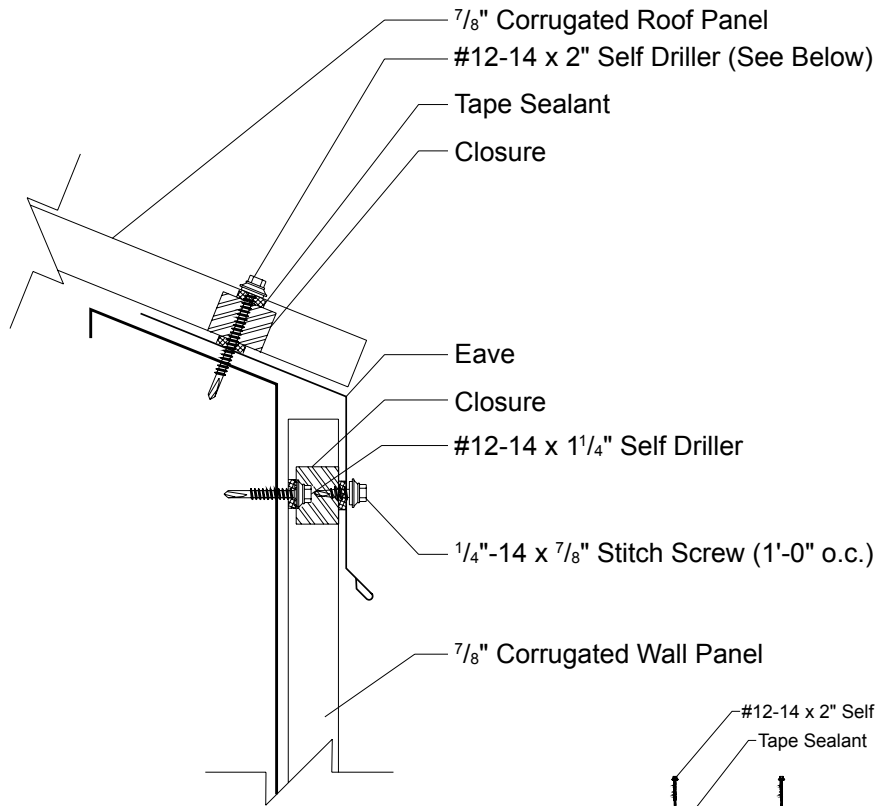
**WALL PANEL FASTENING PATTERN**





**7/8" CORRUGATED EAVE DETAIL**

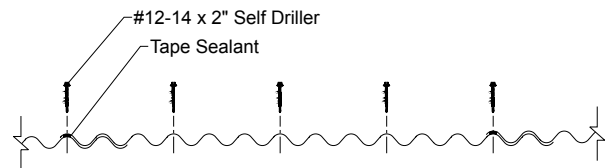
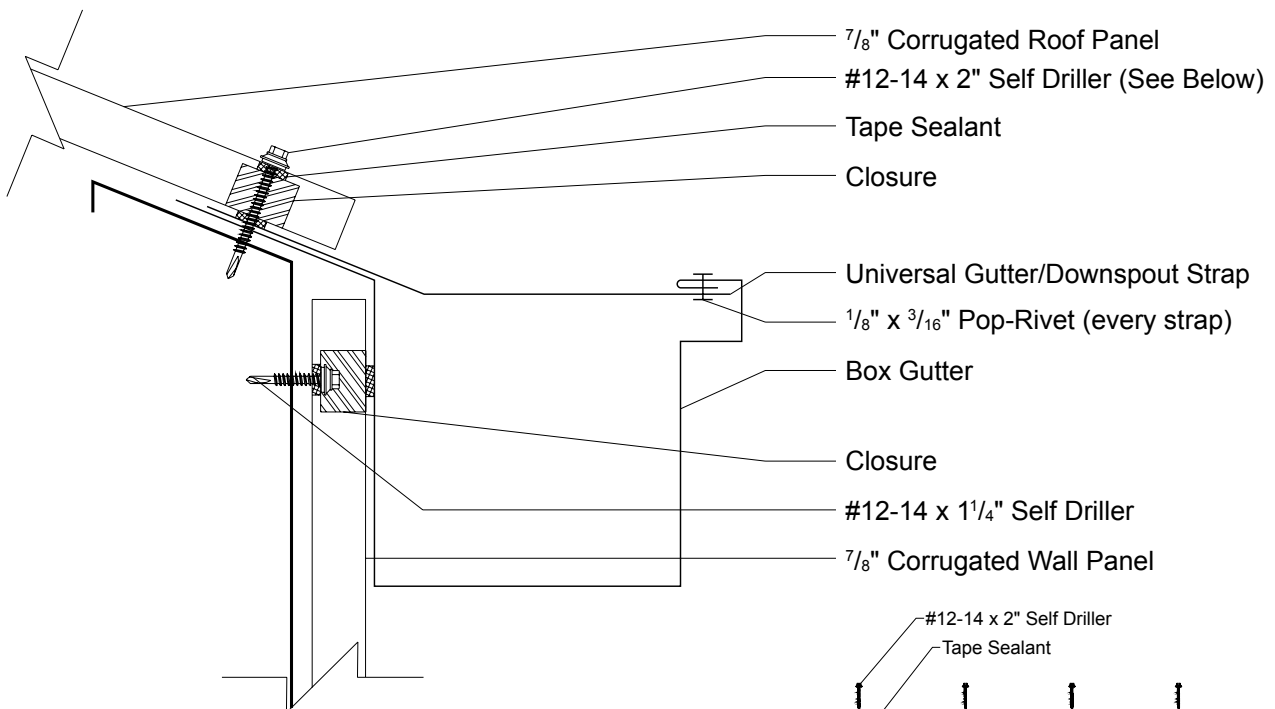
**1:12 Slope  
Minimum**



**7/8" Corrugated Roof Fastening Pattern**

**7/8" CORRUGATED BOX GUTTER DETAIL**

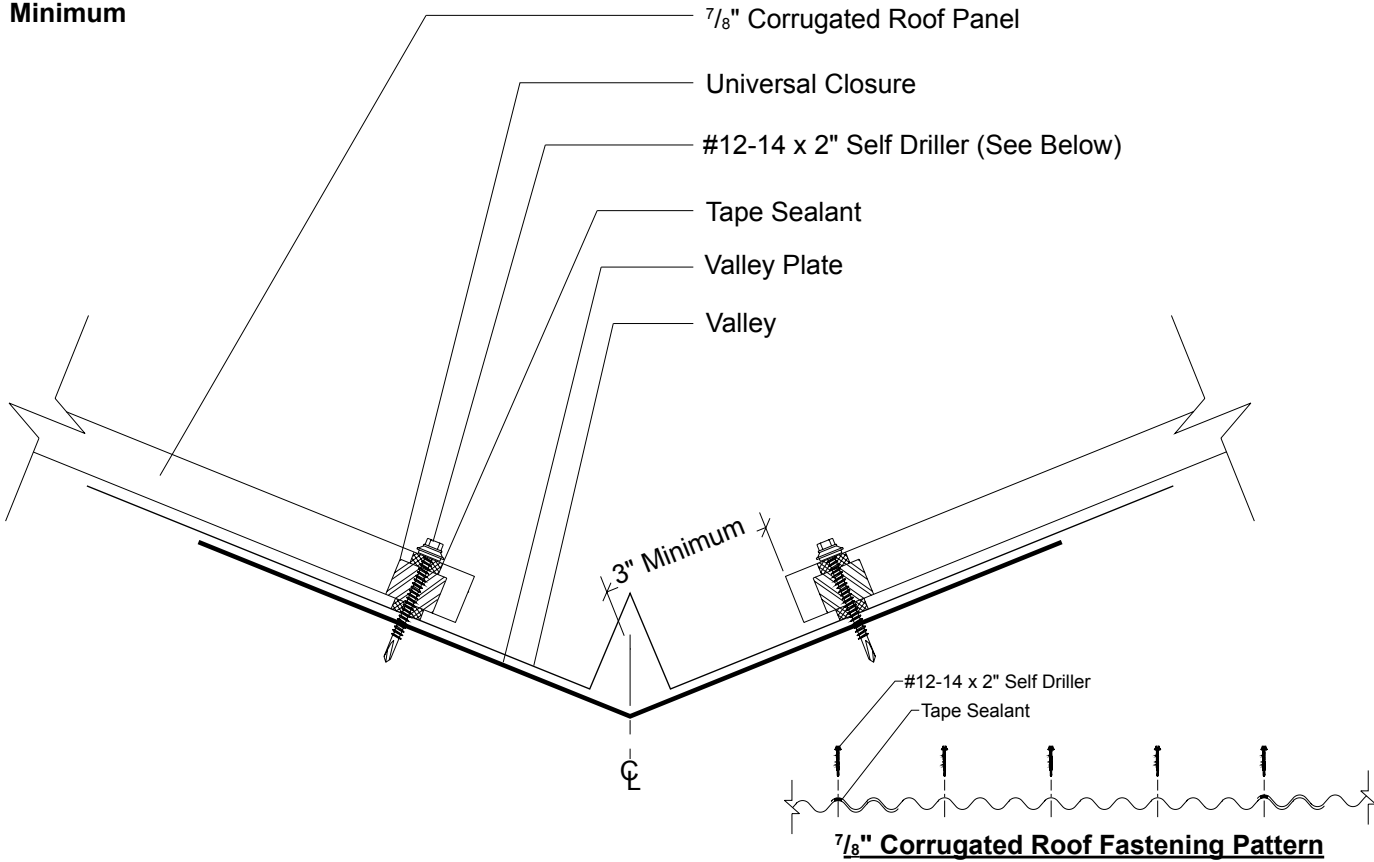
**1:12 Slope  
Minimum**



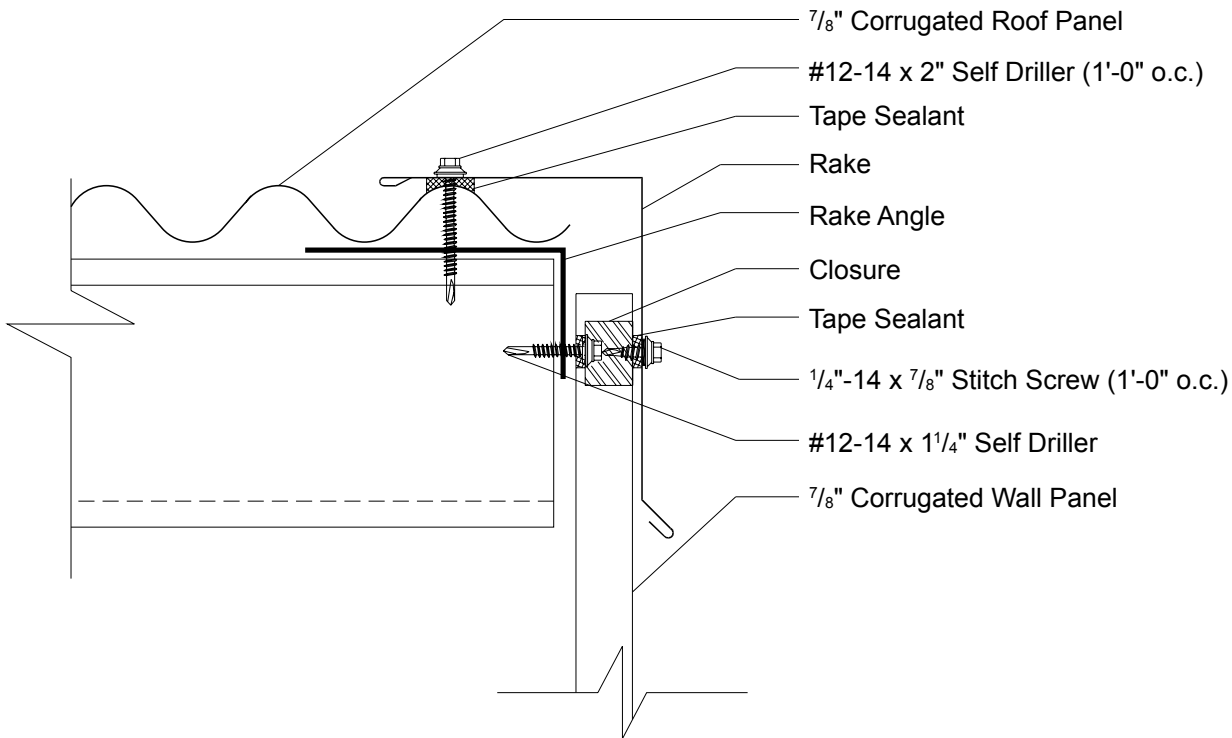
**7/8" Corrugated Roof Fastening Pattern**

# 7/8" CORRUGATED VALLEY DETAIL

1:12 Slope  
Minimum

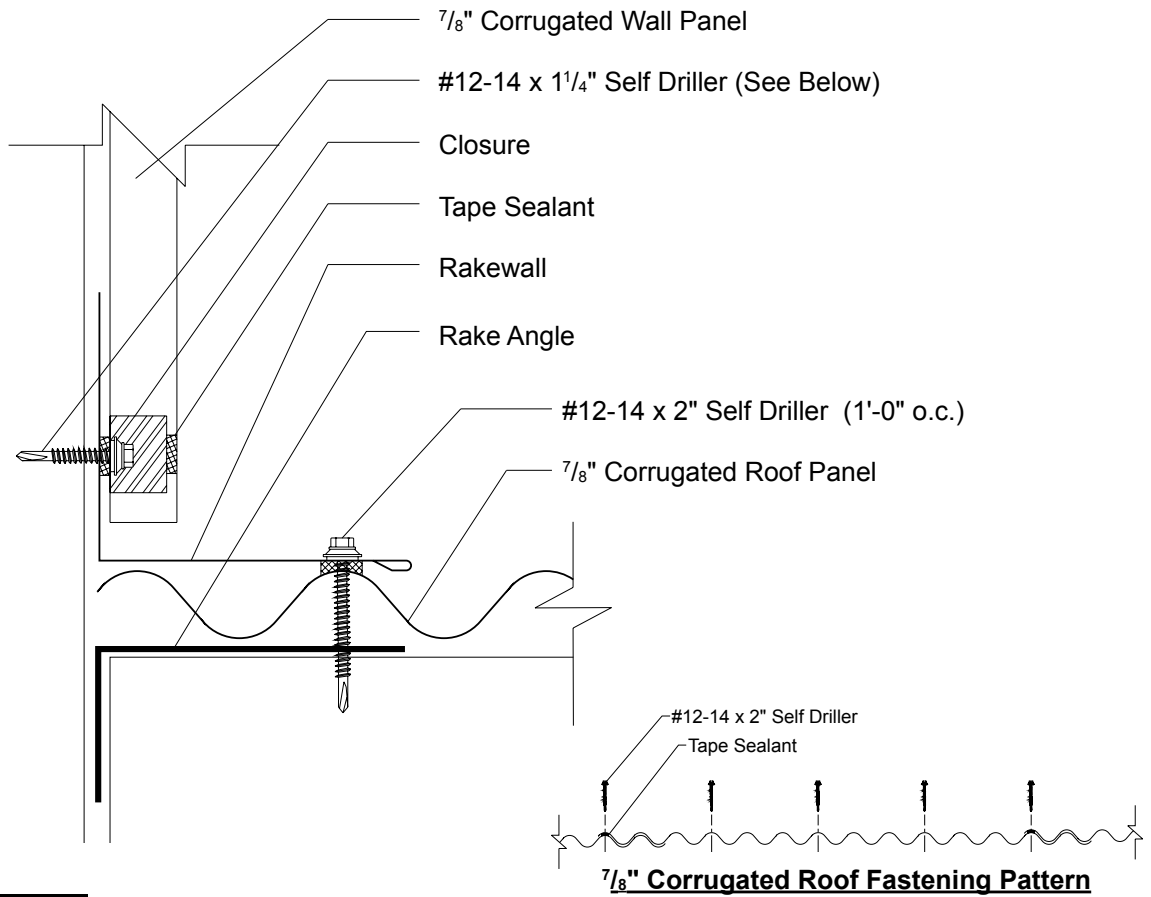


# 7/8" CORRUGATED RAKE DETAIL



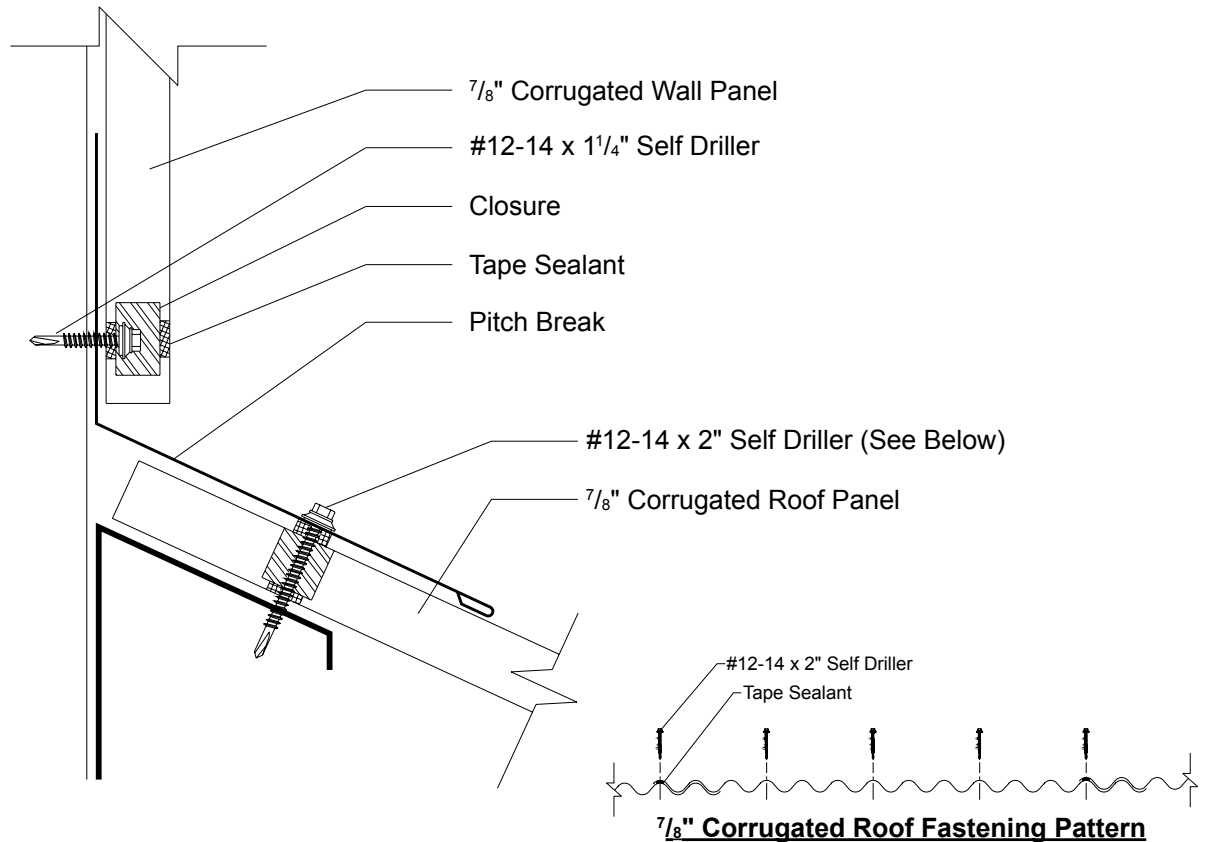
**7/8" CORRUGATED RAKEWALL WITH WALL PANEL DETAIL**

**1:12 Slope  
Minimum**



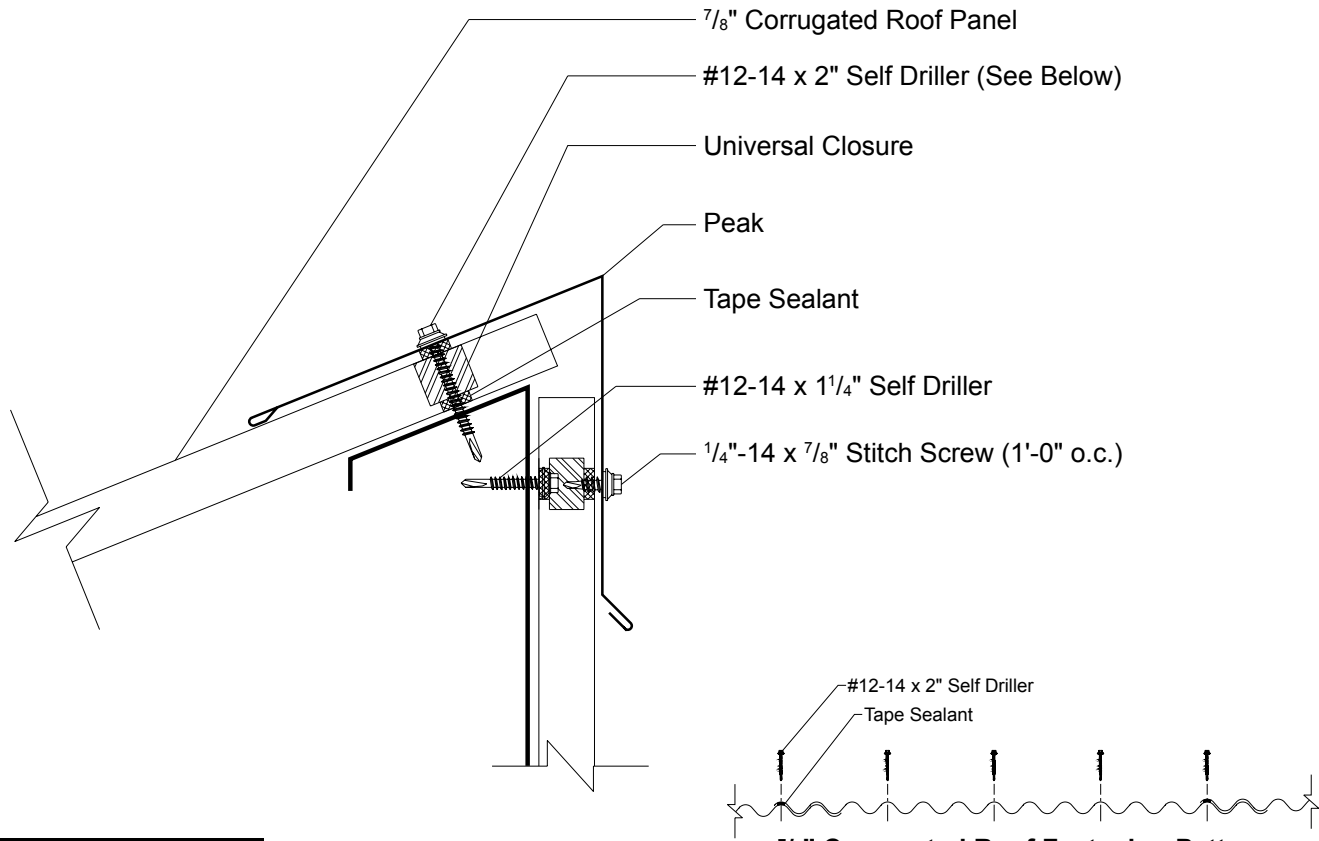
**7/8" CORRUGATED ENDWALL WITH WALL PANEL DETAIL**

**1:12 Slope  
Minimum**



**7/8" CORRUGATED PEAK DETAIL**

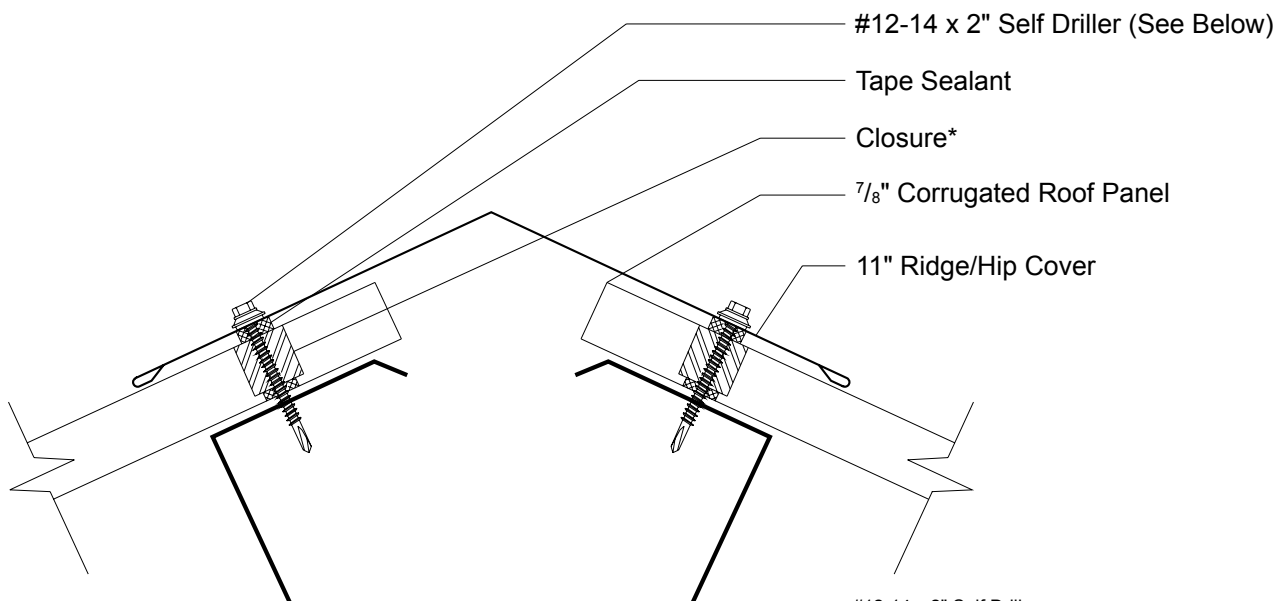
**1:12 Slope  
Minimum**



**7/8" Corrugated Roof Fastening Pattern**

**7/8" CORRUGATED RIDGE/HIP DETAIL**

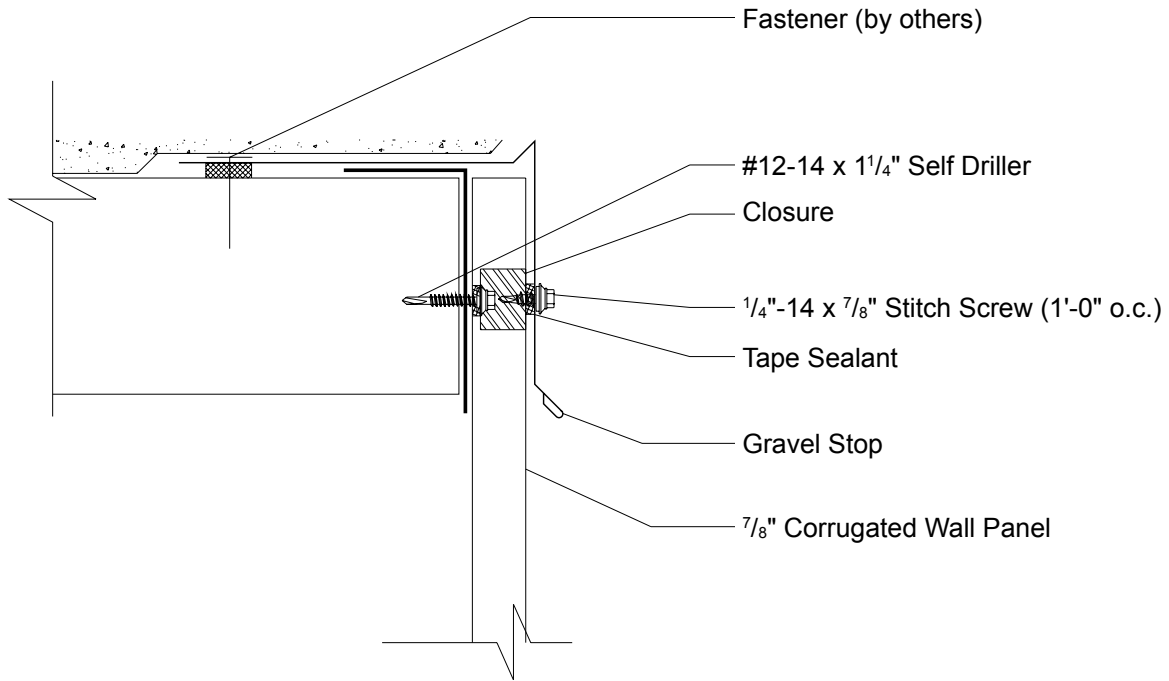
**1:12 Slope  
Minimum**



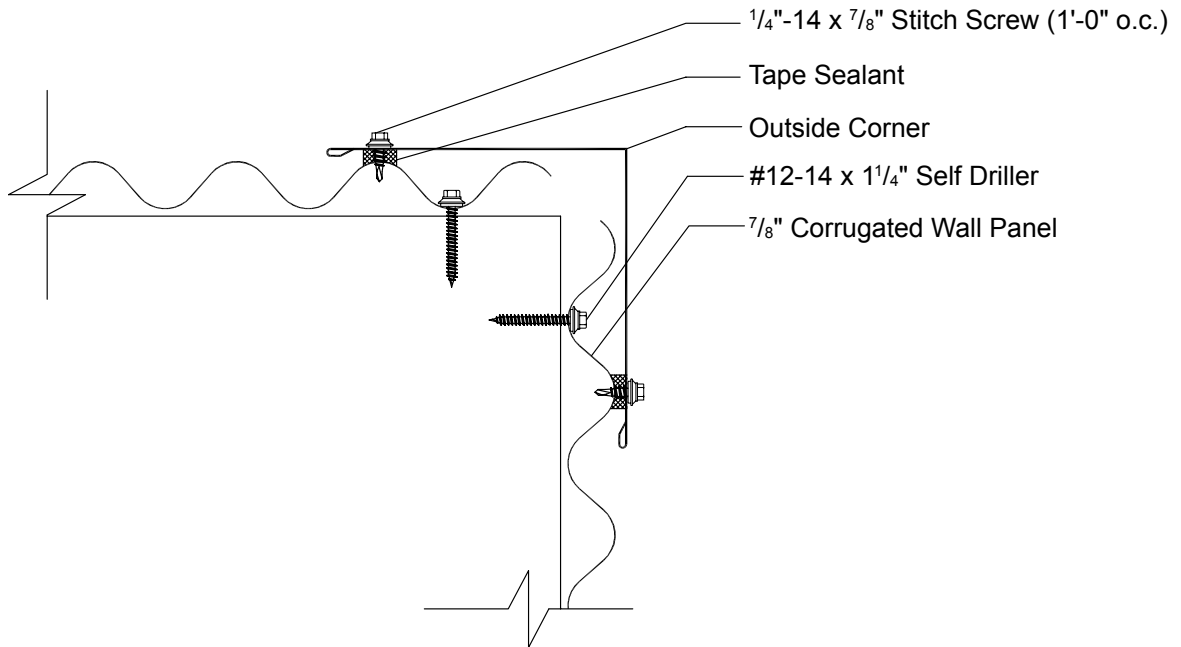
\* Standard Formed Closure for ridge.  
Universal Closure for hip.

**7/8" Corrugated Roof Fastening Pattern**

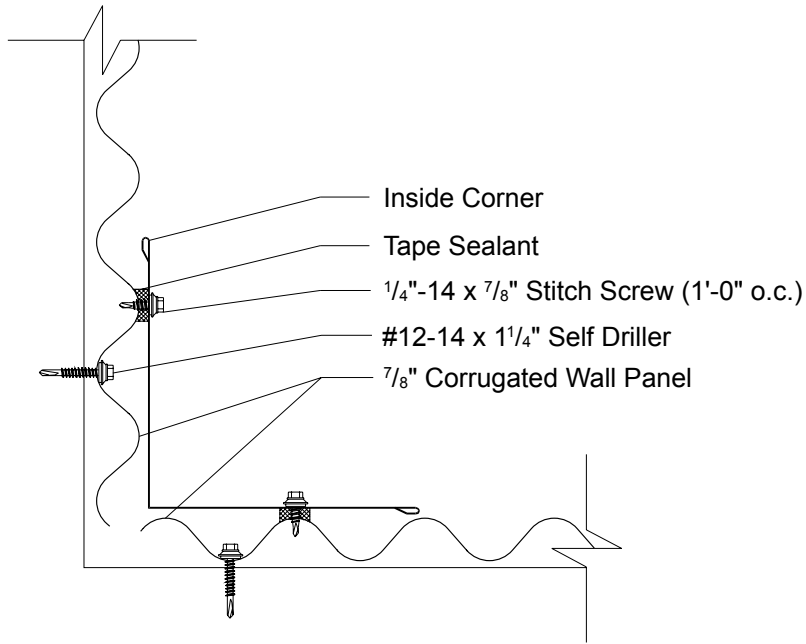
**7/8" CORRUGATED GRAVEL STOP DETAIL**



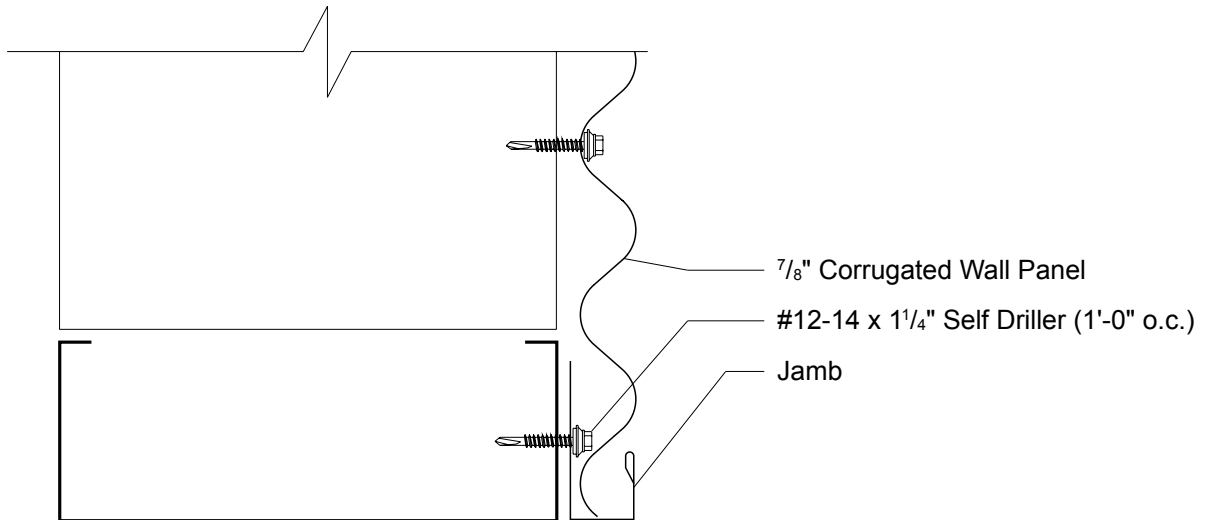
**7/8" CORRUGATED OUTSIDE CORNER DETAIL**



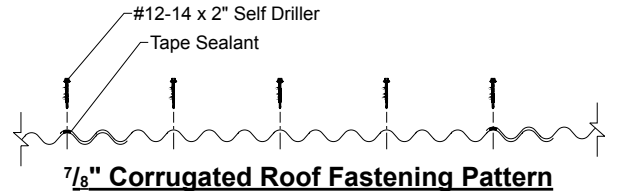
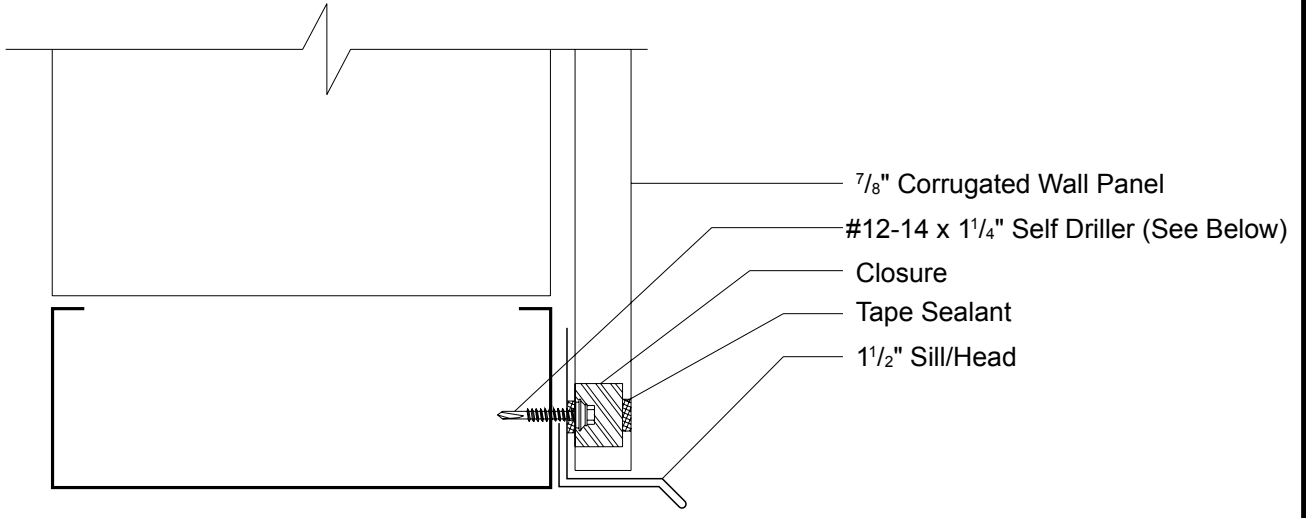
**7/8" CORRUGATED INSIDE CORNER DETAIL**



**7/8" CORRUGATED JAMB DETAIL**



**7/8" CORRUGATED SILL/HEAD DETAIL**



**7/8" CORRUGATED BASE DETAIL**

