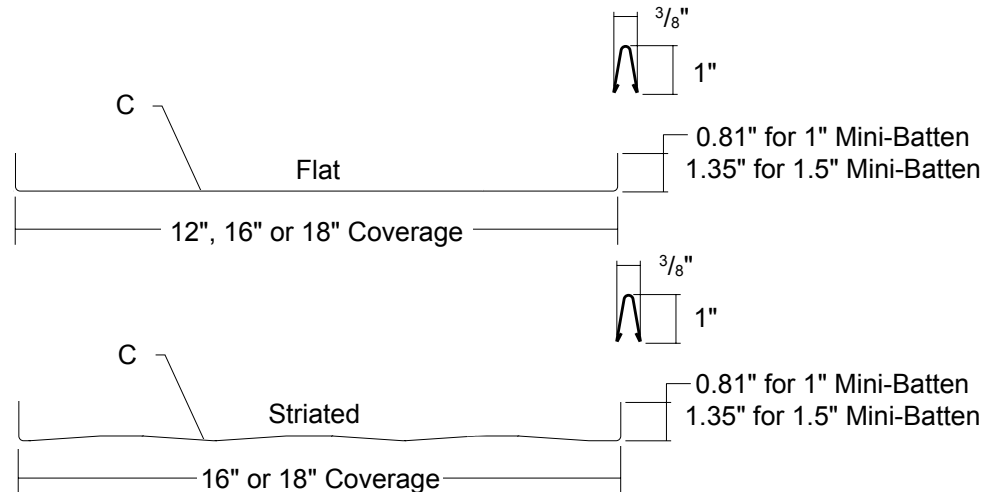


# MINI-BATTEN

Condensed  
Technical  
Reference



ARCHITECTURAL  
PANEL

CONCEALED  
FASTENED

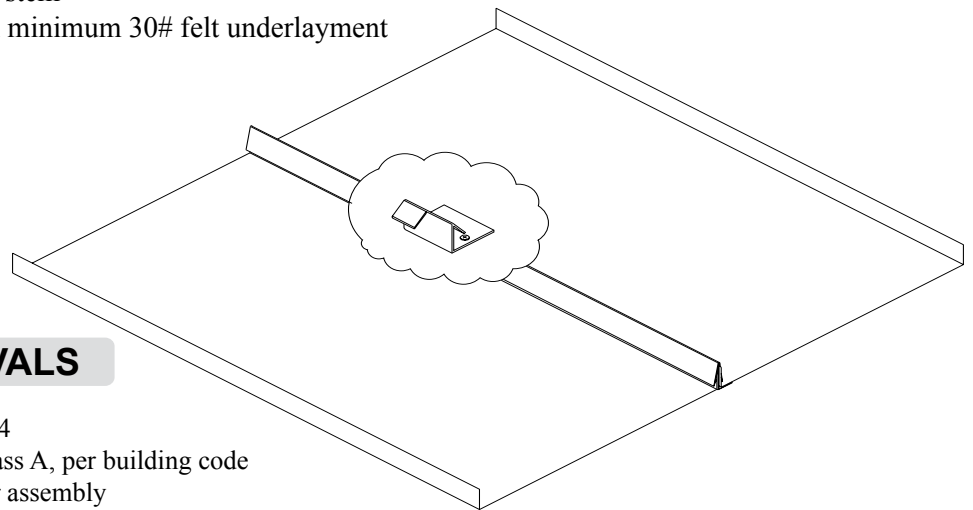
12", 16" OR 18"  
COVERAGE

MINIMUM  
SLOPE  
3:12

SOLID  
SUBSTRATE

## PANEL OVERVIEW

- ▶ Finishes: PVDF, MS Colorfast45<sup>®</sup> and Acrylic-Coated Galvalume<sup>®</sup>
- ▶ Corrosion Protection: AZ55 per ASTM A 792 for unpainted Galvalume<sup>®</sup>  
AZ50 per ASTM A 792 for painted Galvalume<sup>®</sup>  
G90 per ASTM A 653 for Galvanized
- ▶ Gauges: 26 ga and 24 ga standard; 22 ga optional
- ▶ 12", 16" or 18" panel coverage, 1" or 1 1/2" rib height with narrow batten cap
- ▶ Panel Length: Minimum: 5'; Maximum: 45' recommended
- ▶ Architectural standing rib roof system
- ▶ Applies over solid substrate with minimum 30# felt underlayment
- ▶ Minimum roof slope: 3:12
- ▶ Flat and Striated pan available



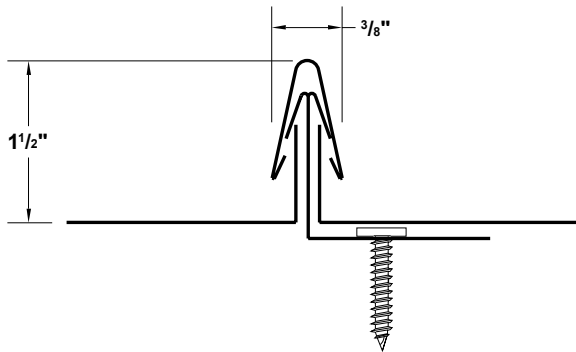
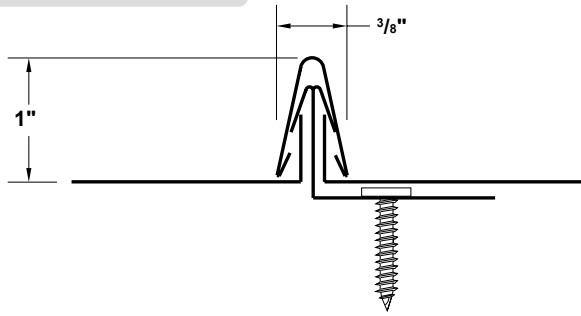
## TESTING AND APPROVALS

- ▶ UL 2218 Impact Resistance - Class 4
- ▶ UL 790 Fire Resistance Rating - Class A, per building code
- ▶ UL 263 Fire Resistance Rating - per assembly
- ▶ UL 580 Uplift Resistance - Class 90 Constructions:  
1" Mini-Batten: #397, #397A and #430  
1 1/2" Mini-Batten: #352
- ▶ ASTM E 1592 Uplift Resistance
- ▶ ASTM E 283 Air Leakage - 0.005 cfm/ft<sup>2</sup> at 6.24 psf
- ▶ ASTM E 331 Water Penetration - none at 12 psf

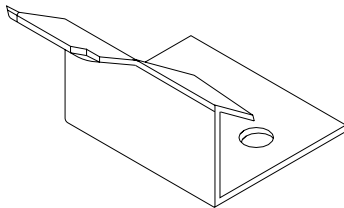
**ms metal sales**<sup>™</sup>  
manufacturing corporation

# MINI-BATTEN

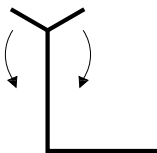
## ATTACHMENT DETAILS



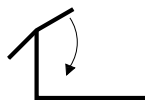
## PANEL CLIPS



BEND DOWN OVER PANEL



MINI-BATTEN  
(1 1/2" rib height)



MINI-BATTEN  
(1" rib height)

## FASTENING INFORMATION

### ► Clips

Clip spacing is based upon the design loads, the spanning capacity of the panels, the fasteners and the support members.

Clips are 0.027" thick, G90 galvanized.

Clips can accommodate thermal expansion and contraction.

### ► Fasteners

Overdriven fasteners will cause panel distortions.

Fasteners should extend 1/2" or more past the inside face of the support material.

Clip Fasteners:

#10-12 Pancake Head Wood Screw

Concealed End Fastener:

#10-12 Pancake Head Wood Screw

Trim Fasteners:

1/4"-14 x 7/8" XL Stitch Screw

1/8" x 3/16" Pop Rivet