

**EVALUATION REPORT OF
METAL SALES MANUFACTURING CORPORATION
'26 GA. 5V-CRIMP PANEL'**

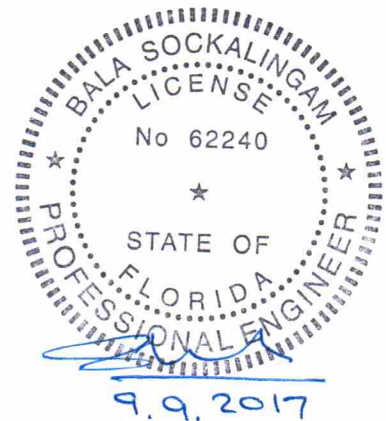
**FLORIDA BUILDING CODE 6TH EDITION (2017)
FLORIDA PRODUCT APPROVAL
FL 14645.2-R3
ROOFING
METAL ROOFING**

**Prepared For:
Metal Sales Manufacturing Corporation
545 South 3rd Street, Suite 200
Louisville, KY 40202
Telephone: (502) 855-4300
Fax: (502) 855-4200**

**Prepared By:
Bala Sockalingam, Ph.D., P.E.
Florida Professional Engineer #62240
1216 N Lansing Ave., Suite C
Tulsa, OK 74106
Telephone: (918) 492-5992
FAX: (918) 493-3568**

**This report consists of
Evaluation Report (3 Pages including cover)
Installation Details (1 Page)**

**Report No. C2182-2
Date: 9.9.17**



Manufacturer: Metal Sales Manufacturing Corporation

Product Name: 5V-Crimp

Panel Description: 24" wide coverage with (5) 1/2" high ribs

Materials: Min. 26 ga., 50 ksi steel. Galvanized coated steel (ASTM A653) or Galvalume coated steel (ASTM A792) or painted steel (ASTM A755).

Deck Description: Min. 19/32" plywood or min. 3/4" thick wood plank (min SG of 0.42) for new and existing constructions. Designed by others and installed as per FBC 2017.

Deck Attachment: 8d x 2.5" long ring shank nails or #8 x 2" long wood screws @ 6" o.c. (Minimum) in the field and edges. Designed as per FBC 2017.

Underlayment: Minimum underlayment as per FBC 2017 Section 1507.4.5.1

Slope: 1/2:12 or greater in accordance with FBC 2017 Section 1507.4.2. Requires applied lap sealant for roof slopes less than 3:12.

Design Uplift Pressure: 84.5 psf @ fastener spacing of 24" o.c.
(Factor of Safety = 2) 131.3 psf @ fastener spacing of 18" o.c.
149.6 psf @ fastener spacing of 12" o.c.

Fastener Pattern:
Type: #9-16 or #10-14 hex head wood screws with sealed washer. Fastener shall be of sufficient length to penetrate through the deck a minimum of 3/8".

At panel ends 6 fasteners per panel width. (4 located adjacent to ribs and 2 between ribs)

At intermediate 4 fasteners per panel width. (4 located adjacent to ribs)

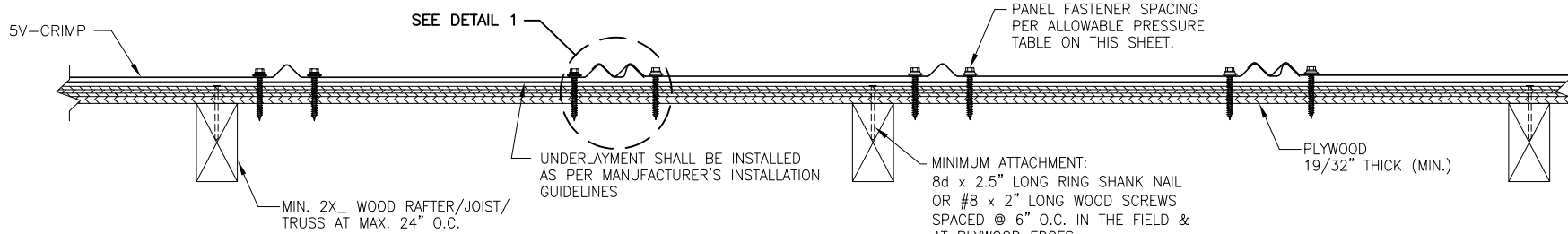
Test Standards: Roof assembly tested in accordance with TAS 125-03 'Standard Requirements for Metal Roofing Systems'.

Code Compliance: The product described herein has demonstrated compliance with FBC 2017 Section 1507.4

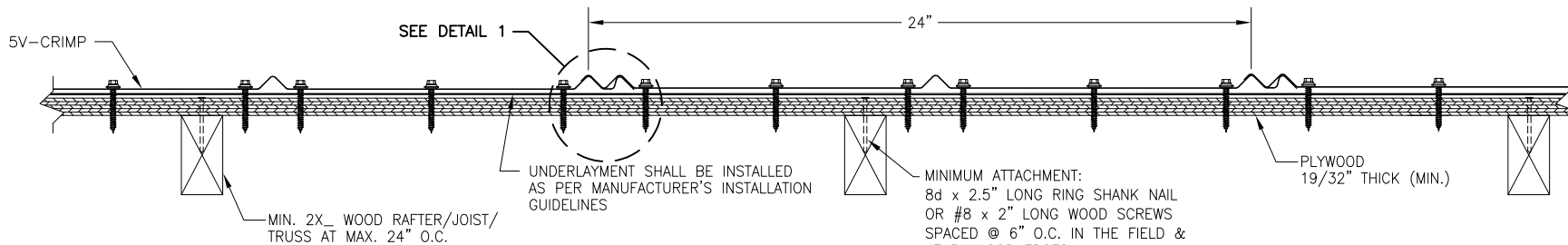
Product Limitations: Design wind loads shall be determined for each project in accordance with FBC 2017 Section 1609 or ASCE 7-10 using allowable stress design. The maximum fastener spacing listed herein shall not be exceeded. This evaluation report is not applicable in High Velocity Hurricane Zone. Fire classification is not within scope of this Evaluation Report. Refer to FBC 2017 Section 1505 and current

approved roofing materials directory or ASTM E108/UL790 report from an accredited laboratory for fire ratings of this product.

Supporting Documents: TAS 125 Test Reports
Farabaugh Engineering and Testing Inc
Project No. T235-07, Reporting Date 7/12/07
Project No. T172-08, Reporting Date 4/29/08

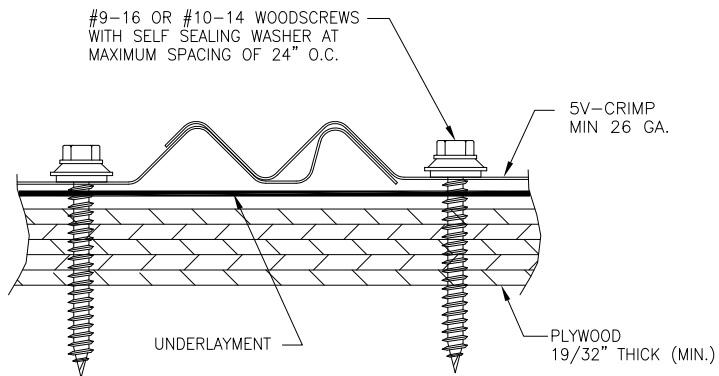


FASTENER PATTERN AT INTERMEDIATE LOCATIONS



FASTENER PATTERN AT PANEL ENDS

TYPICAL PANEL INSTALLATION X-SECTION



DETAIL 1

ALLOWABLE UPLIFT PRESSURE

FASTENER SPACING (IN)	PRESSURE (PSF)
24	84.5
18	131.3
12	149.6

GENERAL NOTES:

1. ARCHITECTURAL ROOF PANEL HAS BEEN DESIGNED IN ACCORDANCE WITH THE FLORIDA BUILDING CODE (FBC).
2. ROOF PANELS SHALL BE MIN. 26 GA. (t = 0.017"). EFFECTIVE COVERING WIDTH OF PANEL = 24".
3. THE ROOF PANELS SHALL BE INSTALLED OVER SHEATHING & STRUCTURE AS SPECIFIED ON THIS DRAWING.
4. REQUIRED DESIGN WIND LOADS SHALL BE DETERMINED FOR EACH PROJECT. THIS PANEL SYSTEM MAY NOT BE INSTALLED WHEN THE REQUIRED DESIGN WIND LOADS ARE GREATER THAN THE ALLOWABLE WIND LOADS SPECIFIED ON THIS DRAWING.
5. ALL FASTENERS MUST BE IN ACCORDANCE WITH THIS DRAWING & THE FLORIDA BUILDING CODE. IF A DIFFERENCE OCCURS BETWEEN THE MINIMUM REQUIREMENTS OF THIS DRAWING & THE CODE, THE CODE SHALL CONTROL.
6. RAFTERS/JOISTS/TRUSSES MUST BE DESIGNED TO WITHSTAND WIND LOADS AS REQUIRED FOR EACH APPLICATION AND ARE THE RESPONSIBILITY OF OTHERS.

NO.	REVISION	DESCRIPTION

DRAWING TITLE: **5V-CRIMP PANEL**

CONSULTANTS: **BALA SOCKALINGAM, PH.D., P.E.**
 1216 N LANSING AVE., SUITE C
 TULSA, OK 74106
 PHONE: 918-492-9992 FAX: 866-366-1543

MANUFACTURER: **METAL SALES MANUFACTURING CORP.**
 545 SOUTH 3RD ST., SUITE 200
 LOUISVILLE, KY 40202
 502-855-4300

DRAWN BY: B.S.	CHECKED BY: D.S.
PLLOT: 1=1	DATE: 3/25/15

DRAWING NO. 2182-2	REV. 1
SHEET NO. 1 OF 1	