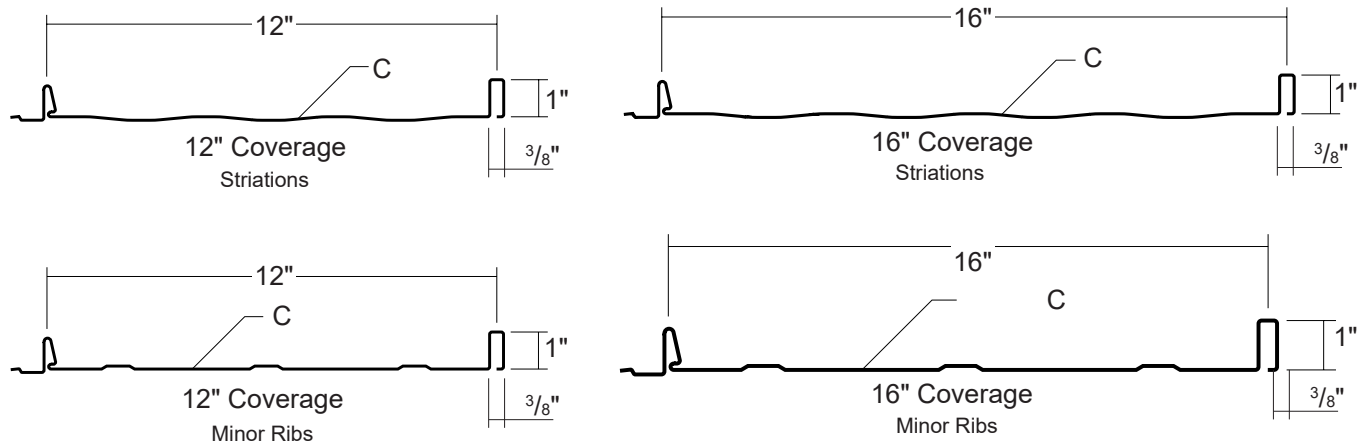


# IMAGE II



**ARCHITECTURAL  
RESIDENTIAL  
PANEL**

**CONCEALED  
FASTENED**

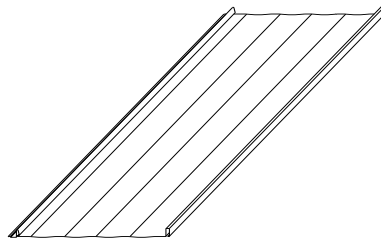
**12" OR 16"  
COVERAGE**

**MINIMUM  
SLOPE  
3:12**

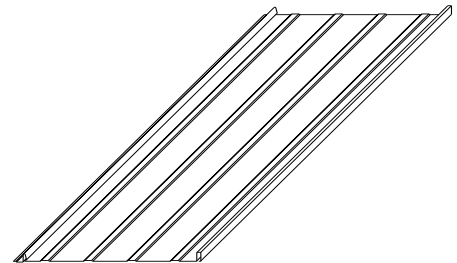
**SOLID WOOD  
SUBSTRATE**

## PANEL OVERVIEW

- ▶ Finishes: MS Colorfast45<sup>®</sup> and Acrylic-Coated Galvalume<sup>®</sup>
- ▶ Corrosion Protection: AZ55 per ASTM A 792 for unpainted Galvalume<sup>®</sup>  
AZ50 per ASTM A 792 for painted Galvalume<sup>®</sup>  
G90 per ASTM A 653 for Galvanized
- ▶ Gauges: 26 ga standard; 24 ga optional
- ▶ 12" or 16" panel coverage, 1" rib height
- ▶ Panel Length: Minimum: 5'; Maximum: 30' recommended
- ▶ Architectural, concealed direct fastened, integral standing rib roof system
- ▶ Minimum roof slope: 3:12
- ▶ Applies over plywood with minimum 30# felt underlayment



With Striations

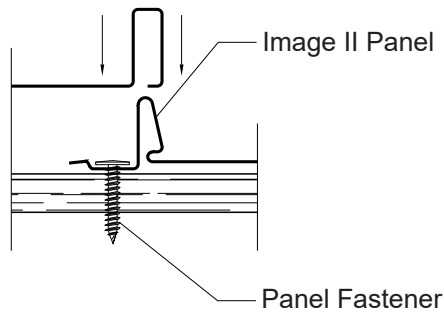


With Minor Ribs

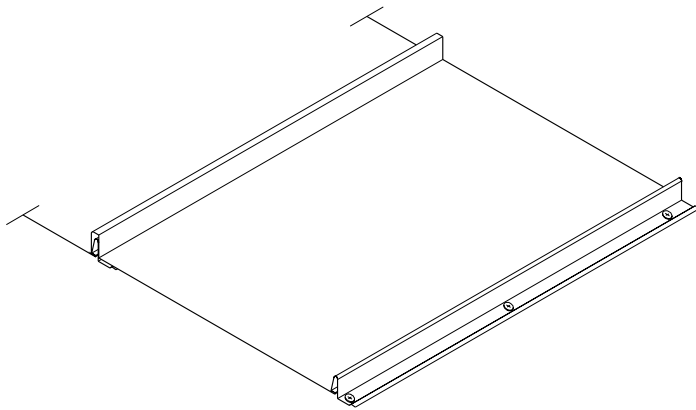
## TESTING AND APPROVALS

- ▶ UL 2218 Impact Resistance - Class 4
- ▶ UL 790 Fire Resistance Rating - Class A, per building code
- ▶ UL 263 Fire Resistance Rating - per assembly
- ▶ UL 580 Uplift Resistance - Class 90 Construction: #529
- ▶ Texas Windstorm - Evaluation RC-162 and RC-399
- ▶ 2020 FBC Approvals - FL11560.4, FL11560.5 and FL14645.11
- ▶ Miami-Dade County, Florida NOA 18-0830.03 expires 8/8/2023
- ▶ ICC Evaluation Report - ESR-2385

## ATTACHMENT DETAIL



## FASTENING PATTERN



## FASTENER INFORMATION

Overdriven fasteners will cause panel distortions.

Fasteners should extend 1/2" or more past the inside face of the support material.

Thick panels (ex. 18 ga) or supports (ex. 1/2" steel) may require predrilling of holes for screws.

Panel Fastener:

#10-12 Pancake Head Wood Screw  
or  
#8-15 Truss Head Wood Screw

Concealed End Fastener:

#10-12 Pancake Head Wood Screw  
or  
#8-15 Truss Head Wood Screw

Exposed End Fastener:

#10-14 XL Wood Screw

Trim Fastener:

1/4"-14 x 7/8" XL Stitch Screw  
or  
1/8" x 3/16" Pop Rivet

## SECTION PROPERTIES

## ALLOWABLE UNIFORM LOADS, psf For various fastener spacings

Ga	Width in	Yield ksi	Weight psf	Top In Compression		Bottom In Compression		Outward Load			
				Ixx in <sup>4</sup> /ft	Sxx in <sup>3</sup> /ft	Ixx in <sup>4</sup> /ft	Sxx in <sup>3</sup> /ft	0.5'	1'	1.5'	2'
26	12	50	0.99	0.0209	0.0231	0.0211	0.0232	103	96	90	84
24	12	50	1.28	0.0268	0.0295	0.0268	0.0295	103	96	90	84
26	16	50	0.92	0.0165	0.0174	0.0165	0.0177	103	96	90	84
24	16	50	1.19	0.0210	0.0226	0.0210	0.0226	103	96	90	84

- Theoretical section properties have been calculated per AISI 2016 'North American Specification for the Design of Cold-Formed Steel Structural Members'. Ixx and Sxx are effective section properties for deflection and bending.
- Allowable load is calculated in accordance with AISI 2016 specifications considering bending, shear, combined bending & shear and deflection. Allowable load does not address web crippling, fasteners, support material or load testing. Allowable load considers the three or more equal spans condition. Panel weight is not considered.
- Deflection consideration is limited by a maximum deflection ratio of L/180 of span.
- Allowable loads do not include a 1/3 stress increase for wind.