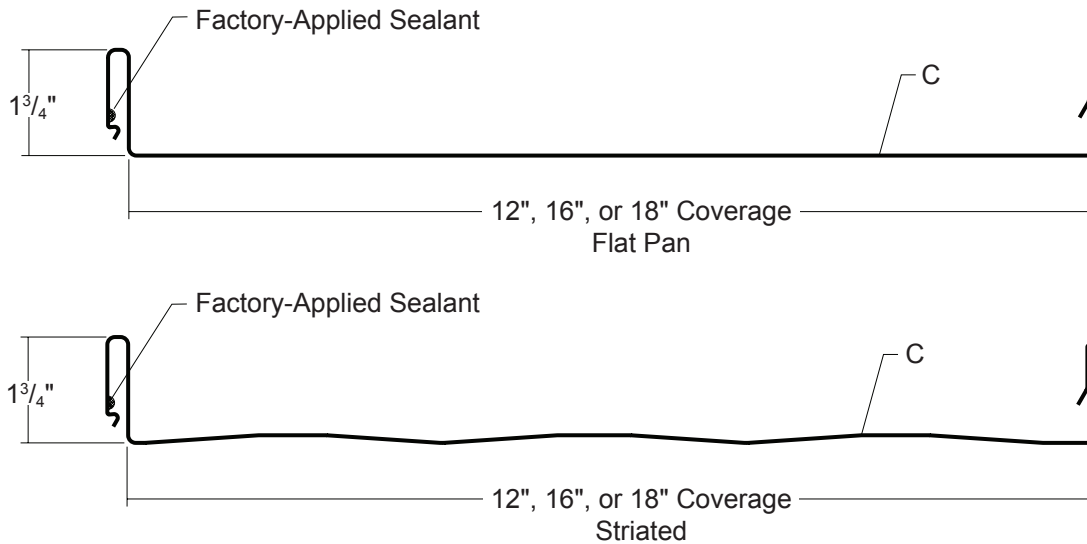


VERTICAL SEAM

Condensed
Technical
Reference



ARCHITECTURAL
COMMERCIAL
PANEL

CONCEALED
FASTENED

12", 16" OR 18"
COVERAGE

MINIMUM
SLOPE
1:12*

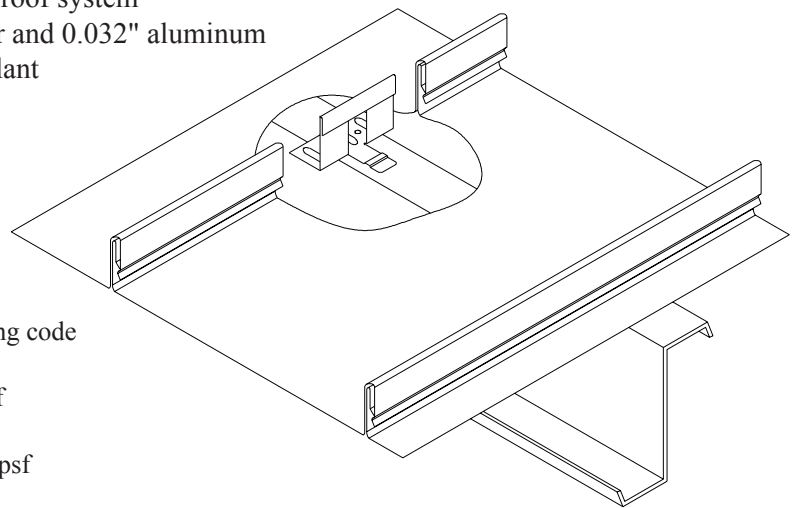
OPEN FRAMING OR
SOLID SUBSTRATE

PANEL OVERVIEW

- ▶ Finishes: PVDF, MS Colorfast45[®] and Acrylic-Coated Galvalume[®]
 - ▶ Corrosion Protection: AZ55 per ASTM A 792 for unpainted Galvalume[®]
AZ50 per ASTM A 792 for painted Galvalume[®]
G90 per ASTM A 653 for Galvanized
 - ▶ Gauges: 24 ga standard; 26 ga and 22 ga optional
 - ▶ 12", 16" or 18" panel coverage, 1³/₄" rib height
 - ▶ Panel Length: Minimum: 5'; Maximum: 45' recommended
 - ▶ Architectural, structural integral standing seam roof system
 - ▶ Alternate materials include 16 and 20 oz copper and 0.032" aluminum
 - ▶ Snap-together side lap with factory-applied sealant
- * Minimum roof slope is 1:12 for solid substrates and 3:12 for open framing

TESTING AND APPROVALS

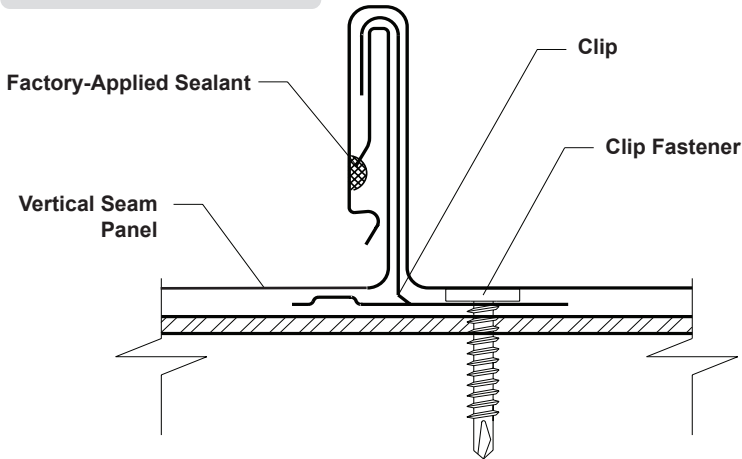
- ▶ UL 2218 Impact Resistance - Class 4
- ▶ UL 790 Fire Resistance Rating - Class A, per building code
- ▶ UL 263 Fire Resistance Rating - per assembly
- ▶ ASTM E 283 Air Leakage - 0.035 cfm/ft² at 1.57 psf
- ▶ ASTM E 331 Water Penetration - none at 12 psf
- ▶ ASTM E 1680 Air Leakage - 0.0036 cfm/ft² at 6.24 psf
- ▶ ASTM E 1646 Water Penetration - none at 6.24 psf
- ▶ ASTM E 1592 Structural Performance
- ▶ UL 580 Uplift Resistance - Class 90 Constructions: #436, #446 and #448
- ▶ Texas Windstorm - Evaluation RC-412
- ▶ 2020 FBC Approvals - FL11560.8, FL11560.9, FL 11560.10, FL11560.11, FL11560.12, FL40264.7 and FL40264.8
- ▶ Miami-Dade County, Florida - NOA 18-1227.01, expires 3/8/2024
- ▶ ICC Evaluation Report - ESR-2385



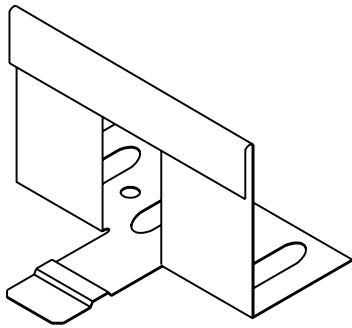
MS Metal Sales[™]

VERTICAL SEAM

ATTACHMENT DETAIL



PANEL CLIP



UL90 CLIP
2 Fasteners

FASTENING INFORMATION

► Clips

1. Clip spacing is based upon the design loads, the spanning capacity of the panels, the fasteners and the support members.
2. Clips are 0.050" thick. G90 is standard, 304 stainless is optional. 2 fastener holes is standard, 3 holes is optional.
3. Clips can accommodate practically unlimited thermal movement.

► Fasteners

1. Overdriven fasteners will cause panel distortions.
2. Fasteners to wood and steel should extend 1/2" or more past the inside face of the support material.

Clip Fasteners and Concealed End Fasteners:

Attaching to Wood:

#10-12 Pancake Head Wood Screw

Attaching to Steel:

<18 ga: 1/4"-14 Deck Screw

>=18 ga, <=12 ga: #10-16 Pancake Head Driller

Attaching to Concrete:

3/16" or 1/4" TapCon, Phillips Flat Head

Exposed End Fasteners:

Attaching to Wood:

#10-14 XL Wood Screw

Attaching to Steel:

#12-14 XL Driller

Trim Fasteners:

1/4"-14 x 7/8" XL Stitch Screw

1/8" x 3/16" Pop Rivet

SECTION PROPERTIES

Ga	Width in	Yield ksi	Weight psf	Top In Compression		Bottom In Compression	
				Ixx in ⁴ /ft	Sxx in ³ /ft	Ixx in ⁴ /ft	Sxx in ³ /ft
26	12	50	1.06	0.0783	0.05320	0.0370	0.0405
26	16	50	0.97	0.0617	0.0403	0.0278	0.0304
26	18	50	0.94	0.0560	0.0359	0.0247	0.0270
24	12	50	1.38	0.1120	0.0777	0.0525	0.0554
24	16	50	1.26	0.0885	0.0590	0.0398	0.0416
24	18	50	1.22	0.0807	0.0527	0.0353	0.0369
22	12	50	1.81	0.1534	0.1072	0.0763	0.0768
22	16	50	1.66	0.1230	0.0823	0.0578	0.0577
22	18	50	1.60	0.1113	0.0737	0.0513	0.0513

ALLOWABLE UNIFORM LOADS, psf For various clip spacings

Inward Load						Outward Load					
2.5'	3'	3.5'	4'	4.5'	5'	2.5'	3'	3.5'	4'	4.5'	5'
148	104	76	59	-	-	55	49	42	36	-	-
111	78	57	44	-	-	55	49	42	36	-	-
-	-	-	-	-	-	-	-	-	-	-	-
204	142	105	80	64	52	44	43	42	41	40	39
153	107	79	60	48	39	42	38	34	30	27	24
136	95	70	54	42	34	33	30	27	24	20	19
283	197	145	111	88	71	69	67	65	62	60	58
212	148	109	84	66	54	54	51	48	45	36	35
189	132	97	74	59	48	31	30	29	29	28	27

1. Theoretical section properties have been calculated per AISI 2016 'North American Specification for the Design of Cold-Formed Steel Structural Members'. Ixx and Sxx are effective section properties for deflection and bending.
 2. Allowable loads are calculated in accordance with AISI 2016 specifications considering bending, shear, combined bending & shear, deflection and ASTM E 1592 uplift testing for 24 ga and 22 ga and UL 580 uplift testing for 26 ga. Allowable loads do not address web crippling, fasteners or support material. Allowable loads consider the three or more equal spans condition. Panel weight is not considered.
 3. Deflection consideration is limited by a maximum deflection ratio of L/180 of span.
 4. Allowable loads do not include a 1/3 stress increase for wind.
- Indicates that no testing is available for the application.