



DEPARTMENT OF REGULATORY AND ECONOMIC RESOURCES (RER)
BOARD AND CODE ADMINISTRATION DIVISION

MIAMI-DADE COUNTY
PRODUCT CONTROL SECTION

11805 SW 26 Street, Room 208
Miami, Florida 33175-2474
T (786) 315-2590 F (786) 315-2599

www.miamidade.gov/economy

NOTICE OF ACCEPTANCE (NOA)

Metal Sales Manufacturing Corporation
545 South 3rd Street, Suite 200
Louisville, KY 40202

SCOPE:

This NOA is being issued under the applicable rules and regulations governing the use of construction materials. The documentation submitted has been reviewed and accepted by Miami-Dade County RER - Product Control Section to be used in Miami Dade County and other areas where allowed by the Authority Having Jurisdiction (AHJ).

This NOA shall not be valid after the expiration date stated below. The Miami-Dade County Product Control Section (In Miami Dade County) and/or the AHJ (in areas other than Miami Dade County) reserve the right to have this product or material tested for quality assurance purposes. If this product or material fails to perform in the accepted manner, the manufacturer will incur the expense of such testing and the AHJ may immediately revoke, modify, or suspend the use of such product or material within their jurisdiction. RER reserves the right to revoke this acceptance, if it is determined by Miami-Dade County Product Control Section that this product or material fails to meet the requirements of the applicable building code.

This product is approved as described herein, and has been designed to comply with the Florida Building Code including the High Velocity Hurricane Zone of the Florida Building Code.

DESCRIPTION: Magna-Loc 16” 24ga Steel Non-Structural Roof Panel

LABELING: Each unit shall bear a permanent label with the manufacturer's name or logo, city, state and following statement: "Miami-Dade County Product Control Approved", unless otherwise noted herein.


RENEWAL of this NOA shall be considered after a renewal application has been filed and there has been no change in the applicable building code negatively affecting the performance of this product.

TERMINATION of this NOA will occur after the expiration date or if there has been a revision or change in the materials, use, and/or manufacture of the product or process. Misuse of this NOA as an endorsement of any product, for sales, advertising or any other purposes shall automatically terminate this NOA. Failure to comply with any section of this NOA shall be cause for termination and removal of NOA.

ADVERTISEMENT: The NOA number preceded by the words Miami-Dade County, Florida, and followed by the expiration date may be displayed in advertising literature. If any portion of the NOA is displayed, then it shall be done in its entirety.

INSPECTION: A copy of this entire NOA shall be provided to the user by the manufacturer or its distributors and shall be available for inspection at the job site at the request of the Building Official.

This NOA renews NOA#13-0905.02 and consists of pages 1 through 6.

The submitted documentation was reviewed by *Freddy Semino* 



NOA No.: 18-0919.01
Expiration Date: 12/12/23
Approval Date: 12/20/18
Page 1 of 6

ROOFING SYSTEM APPROVAL:

Category: Roofing
Sub-Category: Metal, Panels(Non-Structural)
Material: Steel
Maximum Design Pressure -123.5 psf.

TRADE NAMES OF PRODUCTS MANUFACTURED OR LABELED BY APPLICANT:

<u>Product</u>	<u>Dimensions</u>	<u>Test Specifications</u>	<u>Product Description</u>
Magna-Loc 16" 24ga Steel Non-Structural Roof Panel	l = various w = 16" min. 24ga. Min. Yield Strength: 56ksi	TAS 110 & TAS 125	Preformed, standing seam, coated, prefinished, steel panels. Fluropon 431A886 over ASTM A 792 AZ50 Steel.
Magna-Loc Two Piece Clip	Length (Top): 4-1/4" Length (Bottom): 3-1/2" Width (Bottom): 1 1/2" Height: 2 1/2" Thickness: 0.064"	TAS 125	Two-piece metal clip.
Trim Pieces	l = varies w = varies	TAS 110	Coated steel or aluminum trim pieces.

MANUFACTURING LOCATION

- Sellersburg, IN.

EVIDENCE SUBMITTED

<u>Test Agency</u>	<u>Test Identifier</u>	<u>Test Name/Report</u>	<u>Date</u>
PRI Construction Materials Technology	VLS-015-02-01A	Salt Spray, ASTM B117	05/15/2018
	VLS-015-02-01B	Accelerated Weathering, ASTM G 155	05/15/2018
Farabaugh Engineering and Testing Inc.	T247-08	TAS 100	08/26/08
	T242-08	TAS 125	08/25/08



APPROVED ASSEMBLIES:

System: Magna-Loc 16” 24ga Steel Non-Structural Roof Panel

Deck Type: Wood, Non-insulated

Deck Description: New Construction 19/32” or greater plywood or wood plank.

Slope Range: 2": 12" or greater

Maximum Uplift Pressure: See Table A Below

Deck Attachment: In accordance with applicable Building Code, but in no case shall it be less than 8d annular ring shank nails spaced 6” o.c. In reroofing, where the deck is less than 19/32” thick (Minimum 15/32”) The above attachment method must be in addition to existing attachment.

Underlayment: Minimum underlayment shall be an ASTM D 226 Type II installed with a minimum 4” side-lap and 6” end-laps. Underlayment shall be fastened with corrosion resistant tin-caps and 12 gauge 1 ¼” annular ring-shank nails, spaced 6” o.c. at all laps and two staggered rows 12” o.c. in the field of the roll or any approved underlayment having a current NOA.

Fire Barrier Board: Any approved fire barrier having a current NOA. Refer to a current fire directory listing for fire ratings of this roofing system assembly as well as the location of the fire barrier within the assembly. See Limitation # 1.

Valleys: Valley construction shall be in compliance with Roofing Application Standard RAS 133 and with Metal Sales Manufacturing Corporation’s current published installation instructions.

Metal Panels and Accessories: Install the Magna-Loc 16” 24ga Steel Non-Structural Roof Panel” including flashing penetrations, valleys, end laps and accessories in compliance “DMC Association of Regional Manufacturers” current, published installation instructions and in compliance with the minimum requirements detailed in Roofing Application Standard RAS 133.

Panels shall be installed with approved “Magna-Loc Two-Piece Clips” over the male rib side lap spaced at a maximum listed in Table A below, parallel to the roof slope, fastened with two (2) #12-11 screws of sufficient length for minimum ½” penetration through the structural deck. Install the adjacent panel with the female end over the male and clip seam. Seam the panels with a mechanical seamer to form a 90° seam.

TABLE A – MAXIMUM DESIGN PRESSURES

<u>Roof Area</u>	<u>Field</u>	<u>Perimeter and Corner¹ Option 1</u>	<u>Perimeter and Corner¹ Option 2</u>
Maximum Design Pressure:	-95.22 psf.	-101 psf.	-123.5 psf.
Maximum Clip Spacing:	30” o.c.	15” o.c.	8” o.c.

1. Extrapolation not allowed



SYSTEM LIMITATIONS

1. Fire classification is not part of this acceptance; refer to a current Approved Roofing Materials Directory for fire ratings of this product.
2. The maximum designed pressure listed herein shall be applicable to all roof pressure zones (i.e. field, perimeters, and corners). Neither rational analysis, nor extrapolation shall be permitted for enhanced fastening at enhanced pressure zones (i.e. perimeters, extended corners and corners).
3. Panels may be rolls formed in continuous lengths from eave to ridge. Maximum lengths shall be as described in Roofing Application Standard RAS 133
4. All panels shall be permanently labeled with the manufacturer's name and/or logo, and the following statement: "Miami-Dade County Product Control Approved" **or** with the Miami-Dade County Product Control Seal as seen below. All clips shall be permanently labeled with the manufacturer's name and/or logo, and/or model.

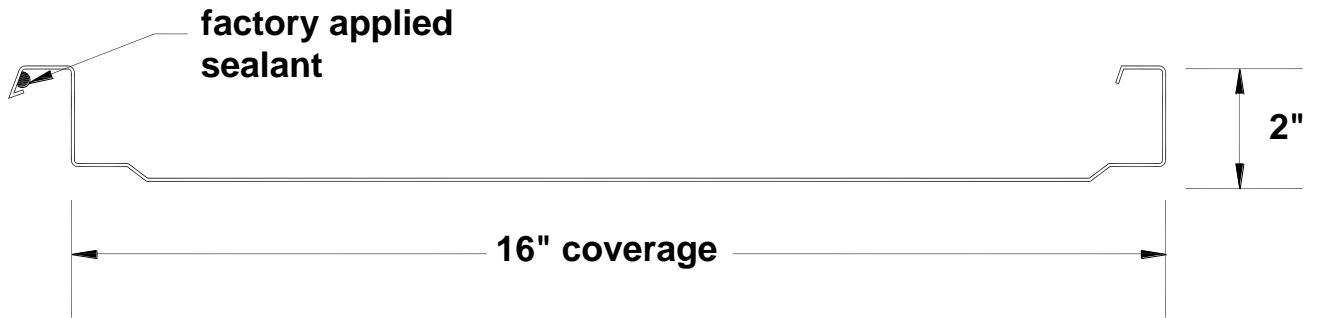


5. All products listed herein shall have a quality assurance audit in accordance with the Florida Building Code and Rule 61G20-3 of the Florida Administrative Code.

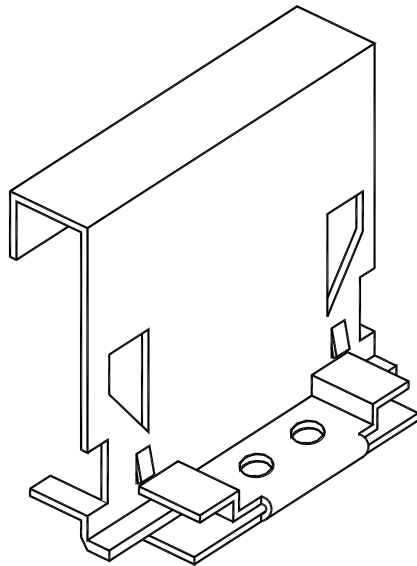


PROFILE DRAWINGS

DETAIL A



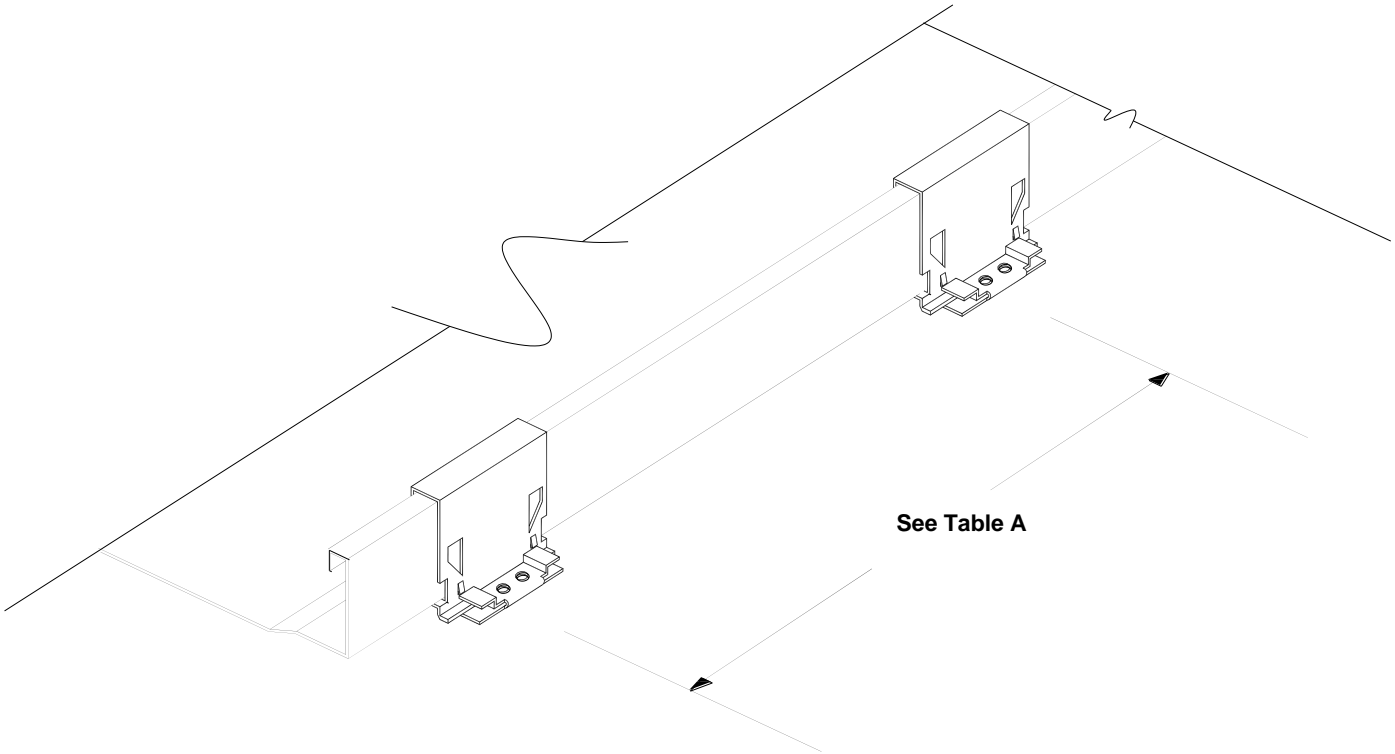
MAGNA-LOC 16" WIDE 24 GA. ROOF PANELS



MAGNA-LOC TWO-PIECE CLIP



DETAIL B



See Table A

END OF THIS ACCEPTANCE

