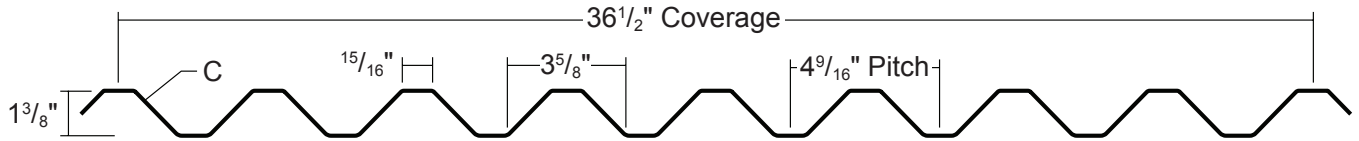


T12 PANEL

Condensed
Technical
Reference

LOW RIB SERIES



ARCHITECTURAL
COMMERCIAL
INDUSTRIAL
PANEL

EXPOSED
FASTENED

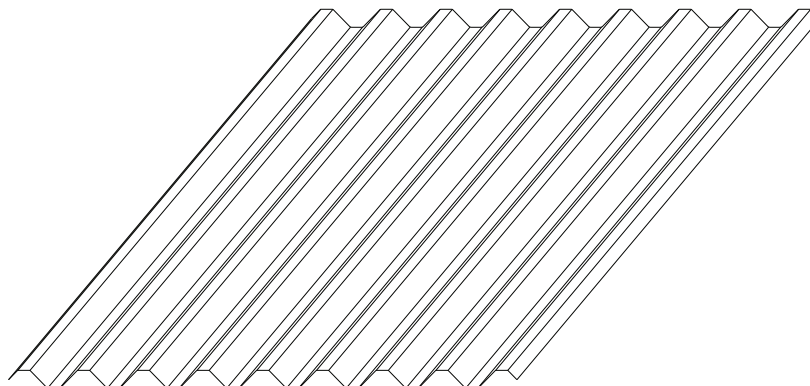
$36\frac{1}{2}$ "
COVERAGE

MINIMUM
SLOPE
1:12

OPEN FRAMING OR
SOLID SUBSTRATE

PANEL OVERVIEW

- ▶ Finishes: Standard: PVDF
Optional: Multi-pass Kynar®, Marblique, Plastisol, Polyester and MS Colorfast45®
- ▶ Corrosion Protection: AZ55 per ASTM A 792 for unpainted Galvalume®
AZ50 per ASTM A 792 for painted Galvalume®
G90 per ASTM A 653 for Galvanized
- ▶ Gauges: 24 ga and 22 ga
- ▶ $36\frac{1}{2}$ " panel coverage and $1\frac{3}{8}$ " rib height
- ▶ Trapezoidal ribs on $4\frac{9}{16}$ " centers
- ▶ Panel Length: 5' minimum, 32' maximum
- ▶ Exposed Fastened Panel
- ▶ Minimum Roof Slope 1:12
- ▶ Optional material availability: Stainless Steel, Copper and Aluminum

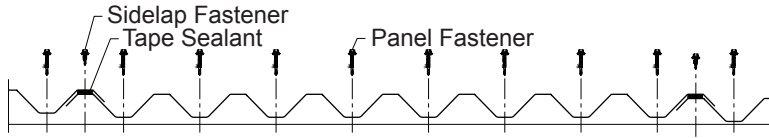


MS Metal Sales™

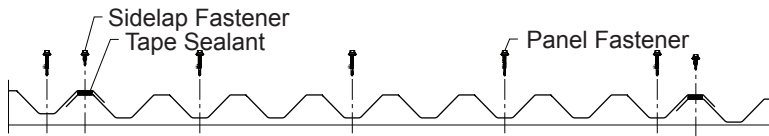
T12 PANEL

FASTENING PATTERNS

Ends of Panel



Field of Panel



FASTENER INFORMATION

Overdriven fasteners will cause panel distortion.

Panel fasteners should extend 1/2" or more past the inside face of the support material.

Thick panels (ex. 18 ga) or supports (ex. 1/2" steel) may require predrilling of holes for screws.

Panel Fastener:

Attaching to Wood:

#10-14 XL Wood Screw

Attaching to Steel:

#12-14 XL Self Drilling Screw

Sidlap Fastener:

1/4"-14 x 7/8" XL Stitch Screw

Trim Fastener:

1/8" x 3/16" Pop Rivet

1/4"-14 x 7/8" XL Stitch Screw

SECTION PROPERTIES

ALLOWABLE UNIFORM LOADS, psf (3 or More Equal Spans)

Ga	Width in	Yield ksi	Weight psf	Top In Compression				Bottom In Compression				Inward Load						Outward Load											
				Ixx		Sxx		Ixx		Sxx		4'			5'			6'			7'			8'			9'		
				in ⁴ /ft	in ³ /ft	in ⁴ /ft	in ³ /ft	in ⁴ /ft	in ³ /ft	in ⁴ /ft	in ³ /ft	4'	5'	6'	7'	8'	9'	4'	5'	6'	7'	8'	9'						
24	36.5	50	1.19	0.0855	0.1208	0.0888	0.1217	174	112	69	43	29	20	172	111	69	43	29	20										
22	36.5	50	1.57	0.1151	0.1584	0.1151	0.1584	228	147	89	56	38	26	228	147	89	56	38	26										

- Theoretical section properties have been calculated per AISI 2016 'North American Specification for the Design of Cold-Formed Steel Structural Members'. Ixx and Sxx are effective section properties for deflection and bending.
- Allowable load is calculated in accordance with AISI 2016 specifications considering bending, shear, combined bending and shear and deflection. Allowable load considers the 3 or more equal spans condition. Allowable load does not address web crippling, fasteners, support material or load testing. Panel weight is not considered.
- Deflection consideration is limited by a maximum deflection ratio of L/180 of span.
- Allowable loads do not include a 1/3 stress increase for wind.