



Design Guide

RESIDENTIAL

Image II • Vertical Seam

metalsales.us.com

The application and detail drawings in this manual are strictly for illustration purposes and may not be applicable to all building designs or product installations. All projects should conform to applicable building codes for that particular area. It is recommended to follow all building regulations and standard industry practices.

Metal Sales Manufacturing Corporation is not responsible for the performance of the roof system if it is not installed in accordance with the suggested instructions referenced in this manual. If there is a conflict between this manual and the actual erection drawings, the erection drawings are to take precedence.

Prior to ordering and installing materials, all dimensions should be verified by field measurements.

Metal Sales reserves the right to modify, without notice, any details, recommendations or suggestions. Any questions you may have regarding proper installation of these Residential roofing systems should be directed to your local Metal Sales representative, (see pages 2 and 3).

Oil canning is not a cause for rejection. Oil canning can be described as the amount of waviness found in the flat areas of metal panels. Oil canning is an inherent characteristic of light gauge cold formed metal products, particularly those with broad flat areas. There are many factors which may contribute to oil canning that Metal Sales is not able to control. These factors include: misalignment of the support system, over driving of fasteners used on the panels, stress (whether inherent in the panel or induced), thermal expansion and contraction of the panel, improper material handling, width, gauge, length, color of panels, and improper installation (reference Metal Construction Association "Oil Canning Position Paper"- Appendix A).

Consult your local Metal Sales Branch for any additional information not outlined in this manual.

This manual is designed to be utilized as a guide when installing a Residential roofing system. It is the responsibility of the erector to ensure the safe installation of this product system.

SAFETY

STUDY APPLICABLE OSHA AND OTHER SAFETY REQUIREMENTS BEFORE FOLLOWING THESE INSTRUCTIONS.

The installation of metal roof systems is a dangerous procedure and should be supervised by trained knowledgeable erectors. **USE EXTREME CARE WHILE INSTALLING ROOF PANELS.** It is not possible for Metal Sales to be aware of all the possible job site situations that could cause an unsafe condition to exist. The erector of the roof system is responsible for reading these instructions and determining the safest way to install the roof system.

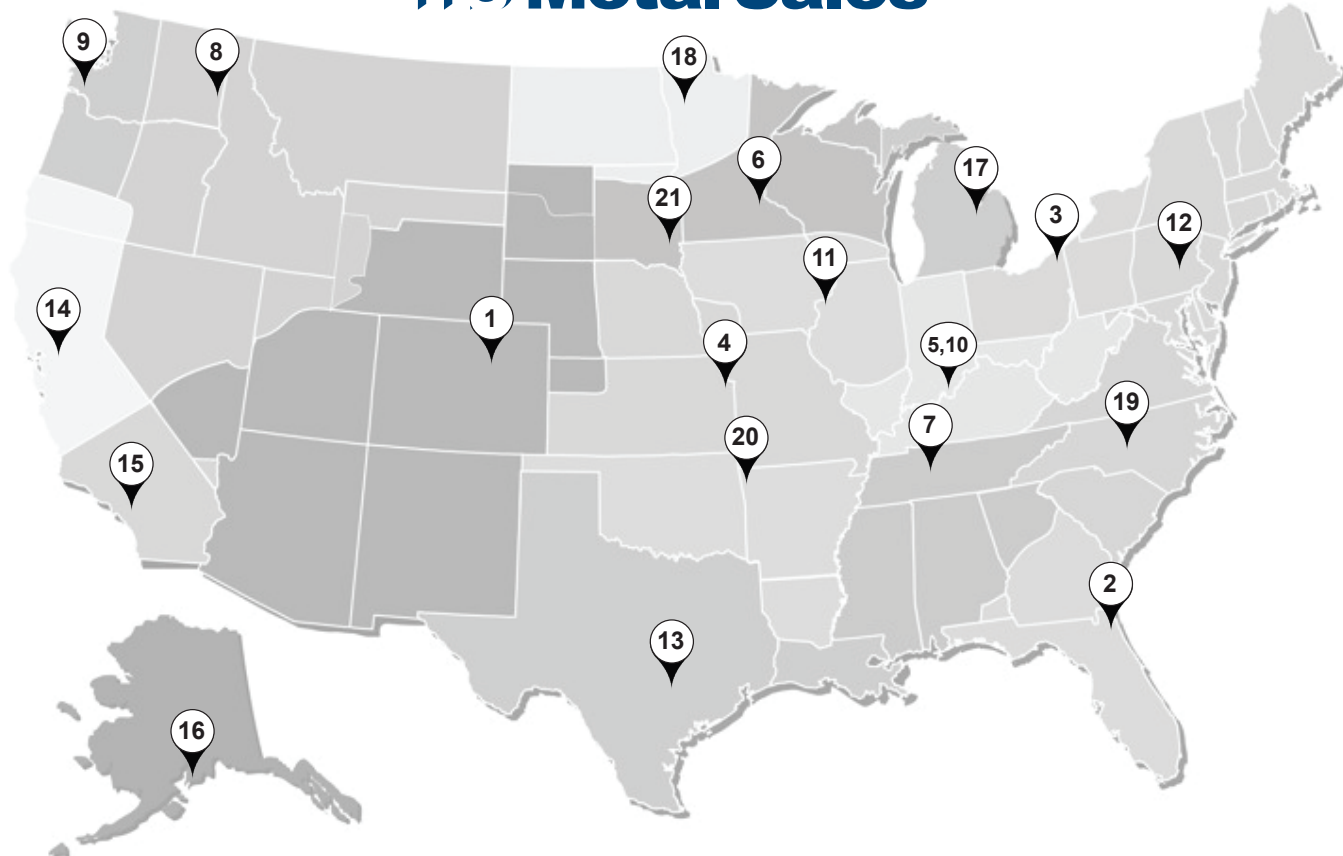
These instructions are provided only as a guide to show a knowledgeable, trained erector the correct relationship of parts to one another. If following any of the installation steps would endanger a worker, the erector should stop work and decide upon a corrective action.

Provide required safety railing, netting, or safety lines for crew members working on the roof.

Do not use the roof panel as a walking platform. The roof panels will not withstand the weight of a person standing at the edge of the panel.

Do not stand on any roof panels until the panels have been attached.

ms Metal Sales™



* NOTE: Shaded areas represent regions served by each location.

TABLE OF CONTENTS

Important Information	1	Pitch Break	26
Branch Territory Map	2	Vented Peak	27
Branch Locations	3	Peak	28
Vertical Seam Panel Options	4	Peak Flashing Lap Details	29
Vertical Seam Design Information	5	IMAGE II DETAILS	
Image II Panel Options	6	Eave	30
Image II Design Information	7	Extended Eave	31
Flashing Profiles	8-12	W-Valley	32
Accessories	13	Residential Rake	33
Tools	14	Rakewall with Counter.....	34
Fasteners	15	Rakewall with Counter and Receiver.....	35
VERTICAL SEAM DETAILS		Rakewall.....	36
Eave	16	Ridge/Hip.....	37
Extended Eave	17	Ridge/Hip Notch Detail	38
W-Valley	18	Hip End Cap Detail	39
Residential Rake	19	Pitch Break	40
Rakewall with Counter.....	20	Vented Peak	41
Rakewall with Counter and Receiver.....	21	Peak	42
Rakewall.....	22	Peak Flashing Lap Details	43
Ridge/Hip.....	23	Skylight/Chimney Details.....	44-45
Ridge/Hip Notch Detail	24	Care and Maintenance	46
Hip End Cap Detail.....	25	Notes	47-48

1. DENVER

7990 East I-25 Frontage Road
Longmont, CO 80504
303.702.5440
800.289.7663
800.289.1617 Fax

2. JACKSONVILLE

7110 Stuart Avenue
Jacksonville, FL 32254
904.783.3660
800.394.4419
904.783.9175 Fax
800.413.3292 Fax

3. JEFFERSON

352 East Erie Street
Jefferson, OH 44047
440.576.9070
800.321.5833
440.576.9242 Fax
800.233.5719 Fax

4. INDEPENDENCE

1306 South Powell Road
Independence, MO 64057
816.796.0900
800.747.0012
816.796.0906 Fax

5. SELLERSBURG

7800 Highway 60
Sellersburg, IN 47172
812.246.1866
800.999.7777
812.246.0893 Fax
800.477.9318 Fax

6. ROGERS

22651 Industrial Boulevard
Rogers, MN 55374
763.428.8080
800.328.9316
763.428.8525 Fax
800.938.9119 Fax

7. NASHVILLE

4314 Hurricane Creek Boulevard
Antioch, TN 37013
615.641.7100
800.251.8508
615.641.7118 Fax
800.419.4372 Fax

8. SPOKANE

2727 East Trent Avenue
Spokane, WA 99202
509.536.6000
800.572.6565
509.534.4427 Fax

9. KELSO

2680 Coweeman Park Drive
Kelso, WA 98626
253.872.5750
800.431.3470
253.872.2008 Fax

10. NEW ALBANY

999 Park Place
New Albany, IN 47150
812.944.2733
812.944.1418 Fax

11. ROCK ISLAND

8111 West 29th Street
Rock Island, IL 61201
309.787.1200
800.747.1206
309.787.1833 Fax

12. DEER LAKE

29 Pinedale Industrial Road
Orwigsburg, PA 17961
570.366.2020
800.544.2577
570.366.1648 Fax
800.544.2574 Fax

13. TEMPLE

3838 North General Bruce Drive
Temple, TX 76501
254.791.6650
800.543.4415
254.791.6655 Fax
800.543.4473 Fax

14. WOODLAND

1326 Paddock Place
Woodland, CA 95776
530.668.5690
800.759.6019
530.668.0901 Fax

15. FONTANA

14213 Whittram Avenue
Fontana, CA 92335
909.829.8618
800.782.7953
909.829.9083 Fax

16. ANCHORAGE

4637 Old Seward Highway
Anchorage, AK 99503
907.646.7663
866.640.7663
907.646.7664 Fax

17. BAY CITY

5209 Mackinaw Road
Bay City, MI 48706
989.686.5879
888.777.7640
989.686.5870 Fax
888.777.0112 Fax

18. DETROIT LAKES

1435 Egret Avenue
Detroit Lakes, MN 56501
218.847.2988
888.594.1394
218.847.4835 Fax
888.594.1454 Fax

19. MOCKSVILLE

188 Quality Drive
Mocksville, NC 27028
336.751.6381
800.228.6119
336.751.6301 Fax
800.228.7916 Fax

20. FORT SMITH

7510 Ball Road
Fort Smith, AR 72908
479.646.1176
877.452.3915
479.646.5204 Fax

21. SIOUX FALLS

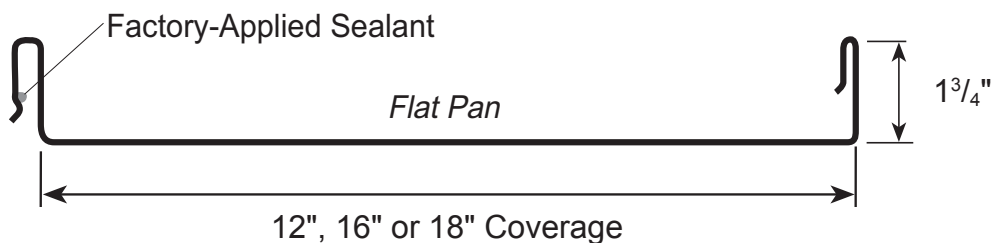
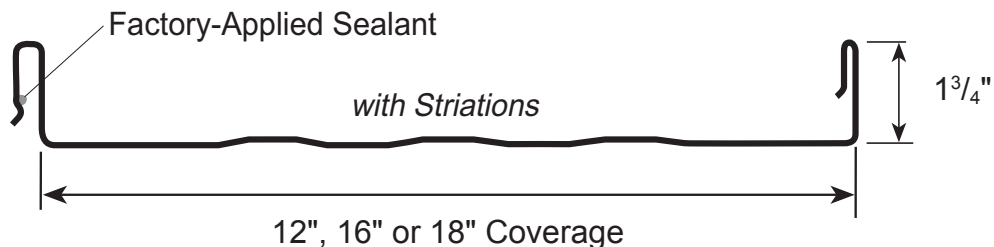
2700 West 3rd Street, Suite 4
Sioux Falls, SD 57104
605.335.2745
888.299.0024

CORPORATE OFFICE

7800 Highway 60
Sellersburg, IN 47172
800.406.7387
800.944.6884 Fax

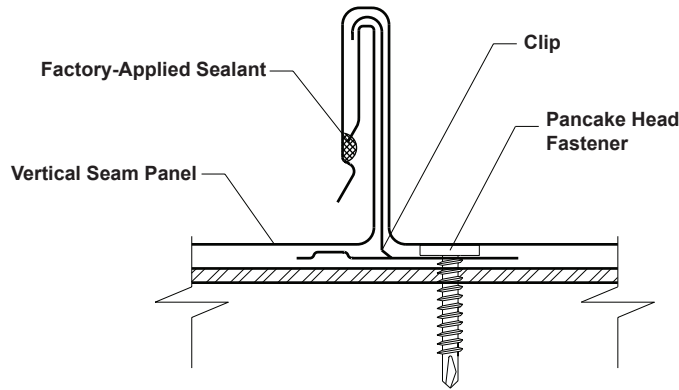
TECHNICAL SUPPORT**TECH SERVICES DEPT.**

7800 Highway 60
Sellersburg, IN 47172
502.855.4300
800.406.7387
800.944.6884 Fax

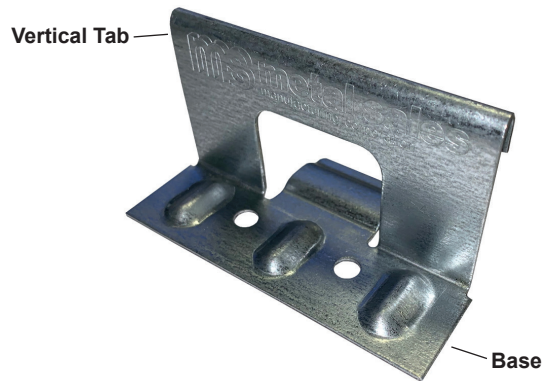


	Product No.	Coverage	Description	Gauge	Finish
	2543941	12"	Striated	26	Galvalume® (ACG)
	25439XX	12"	Striated	26	MS Colorfast45® Painted (CF45)
	26439XX	12"	Striated	26	PVDF (Kynar 500®) Painted
	2743841	12"	Flat	24	Galvalume® (ACG)
	2743941	12"	Striated	24	Galvalume® (ACG)
	28438XX	12"	Flat	24	PVDF (Kynar 500®) Painted
	28439XX	12"	Striated	24	PVDF (Kynar 500®) Painted
	2545941	16"	Striated	26	Galvalume® (ACG)
	25459XX	16"	Striated	26	MS Colorfast45® Painted (CF45)
	26459XX	16"	Striated	26	PVDF (Kynar 500®) Painted
	2745641	16"	Flat	24	Galvalume® (ACG)
	2745941	16"	Striated	24	Galvalume® (ACG)
	28456XX	16"	Flat	24	PVDF (Kynar 500®) Painted
	28459XX	16"	Striated	24	PVDF (Kynar 500®) Painted
	2546241	18"	Striated	26	Galvalume® (ACG)
25462XX	18"	Striated	26	MS Colorfast45® Painted (CF45)	
26462XX	18"	Striated	26	PVDF (Kynar 500®) Painted	
	2746041	18"	Flat	24	Galvalume® (ACG)
	2746241	18"	Striated	24	Galvalume® (ACG)
	28460XX	18"	Flat	24	PVDF (Kynar 500®) Painted
	28462XX	18"	Striated	24	PVDF (Kynar 500®) Painted

ATTACHMENT DETAIL



PANEL CLIPS



UL90 Clip - 2 Fasteners

GENERAL INFORMATION

► Slope

The minimum recommended slope for the Vertical Seam roof panel is 3:12 over open framing and 1:12 over solid substrate.

► Clips

Clip spacing is based upon the spacing of structural framing members and loading requirements.

► Coverage

Vertical Seam panels are available in a 1³/₄" seam height with a 12", 16", or 18" width coverage.

► Lengths

Minimum factory cut length is 5'-0". Maximum recommended panel length is 45'-0". Longer panels require additional consideration in packaging, shipping, and erection. Please consult Metal Sales for recommendations.

► Fasteners

The fastener selection guide should be consulted for choosing the proper fastener for specific applications. Quantity and type of fastener must meet necessary loading and code requirements.

NOTE: All panels are subject to surface distortion due to improperly applied fasteners. Overdriven fasteners will cause stress and induce oil canning across the face of the panel at or near the point of attachment.

► Availability

Finishes: in PVDF (Kynar 500®), MS Colorfast45®, and Acrylic Coated Galvalume®.

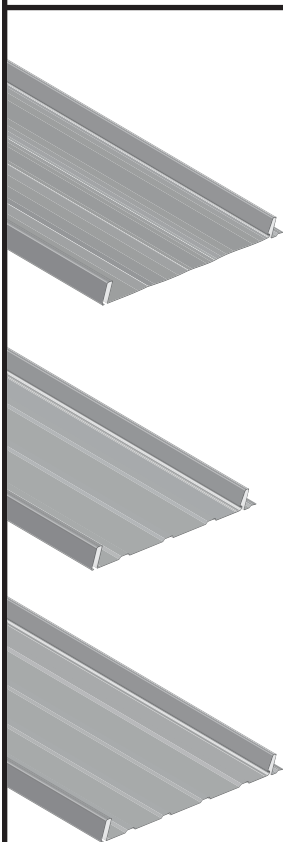
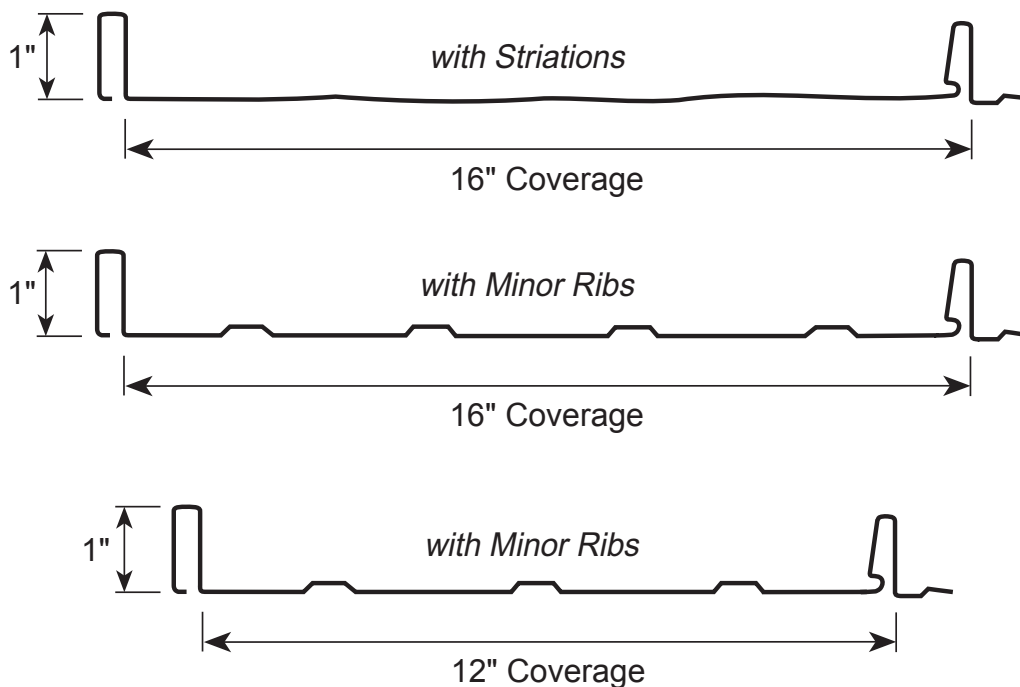
Gauges: 24 gauge or 26 gauge

SECTION PROPERTIES

ALLOWABLE UNIFORM LOADS, psf
For various clip spacings

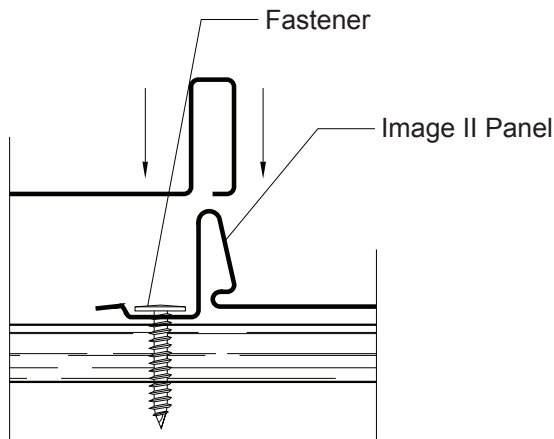
Ga	Width in	Yield ksi	Weight psf	Top In Compression		Bottom In Compression		Inward Load						Outward Load					
				Ixx in ⁴ /ft	Sxx in ³ /ft	Ixx in ⁴ /ft	Sxx in ³ /ft	2.5'	3'	3.5'	4'	4.5'	5'	2.5'	3'	3.5'	4'	4.5'	5'
26	12	50	1.06	0.0783	0.05320	0.0370	0.0405	148	104	76	59	-	-	55	49	42	36	-	-
26	16	50	0.97	0.0617	0.0403	0.0278	0.0304	111	78	57	44	-	-	55	49	42	36	-	-
26	18	50	0.94	0.0560	0.0359	0.0247	0.0270	-	-	-	-	-	-	-	-	-	-	-	-
24	12	50	1.38	0.1120	0.0777	0.0525	0.0554	204	142	105	80	64	52	44	43	42	41	40	39
24	16	50	1.26	0.0885	0.0590	0.0398	0.0416	153	107	79	60	48	39	42	38	34	30	27	24
24	18	50	1.22	0.0807	0.0527	0.0353	0.0369	136	95	70	54	42	34	33	30	27	24	20	19
22	12	50	1.81	0.1534	0.1072	0.0763	0.0768	283	197	145	111	88	71	69	67	65	62	60	58
22	16	50	1.66	0.1230	0.0823	0.0578	0.0577	212	148	109	84	66	54	54	51	48	45	36	35
22	18	50	1.60	0.1113	0.0737	0.0513	0.0513	189	132	97	74	59	48	31	30	29	29	28	27

- Theoretical section properties have been calculated per AISI 2016 'North American Specification for the Design of Cold-Formed Steel Structural Members'. Ixx and Sxx are effective section properties for deflection and bending.
 - Allowable loads are calculated in accordance with AISI 2016 specifications considering bending, shear, combined bending & shear, deflection and ASTM E 1592 uplift testing for 24 ga and 22 ga and UL 580 uplift testing for 26 ga. Allowable loads do not address web crippling, fasteners or support material. Allowable loads consider the three or more equal spans condition. Panel weight is not considered.
 - Deflection consideration is limited by a maximum deflection ratio of L/180 of span.
 - Allowable loads do not include a 1/3 stress increase for wind.
- Indicates that no testing is available for the application.

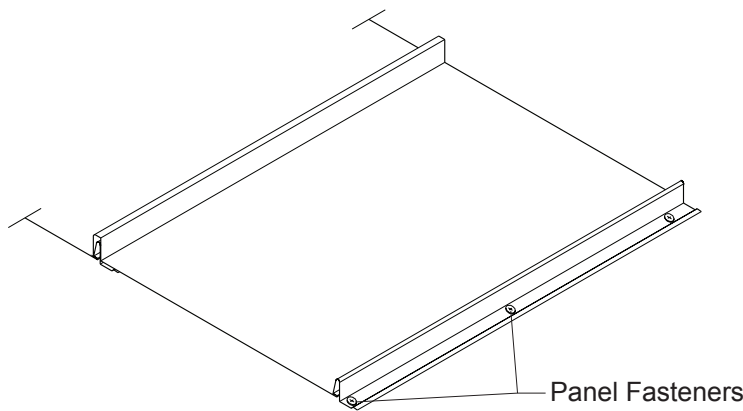


Product No.	Coverage	Description	Gauge	Finish
2544141	12"	Striated	26	Galvalume® (ACG)
2514641	12"	Minor Rib	26	Galvalume® (ACG)
25441XX	12"	Striated	26	MS Colorfast45® Painted (CF45)
25146XX	12"	Minor Rib	26	MS Colorfast45® Painted (CF45)
26441XX	12"	Striated	26	PVDF (Kynar 500®) Painted
2718841	12"	Striated	24	Galvalume® (ACG)
2718641	12"	Minor Rib	24	Galvalume® (ACG)
27188XX	12"	Striated	24	PVDF (Kynar 500®) Painted
27186XX	12"	Minor Rib	24	PVDF (Kynar 500®) Painted
2534641	16"	Minor Rib	26	Galvalume® (ACG)
25444XX	16"	Striated	26	MS Colorfast45® Painted (CF45)
25346XX	16"	Minor Rib	26	MS Colorfast45® Painted (CF45)
26444XX	16"	Striated	26	PVDF (Kynar 500) Painted
2718741	16"	Striated	24	Galvalume® (ACG)
2718941	16"	Minor Rib	24	Galvalume® (ACG)
27187XX	16"	Striated	24	PVDF (Kynar 500®) Painted
27189XX	16"	Minor Rib	24	PVDF (Kynar 500®) Painted

ATTACHMENT DETAIL



FASTENING PATTERN



GENERAL INFORMATION

► Slope

The minimum recommended slope for the Image II roof panel is 3:12.

► Substructure

Image II is designed to be utilized over a solid substrate. To avoid panel distortion use a properly aligned and uniform substructure.

NOTE: Image II roof panels are not recommended for use over open structural framing.

► Coverage

Image II panels are available in a 1" seam height with a 12" or 16" width coverage.

► Length

Minimum factory cut length is 5'-0". Maximum recommended panel length is 30'-0". Longer panels require additional consideration in packaging, shipping, and erection. Please consult Metal Sales for recommendations.

► Fasteners

The fastener selection guide should be consulted for choosing the proper fastener for specific applications. Quantity and type of fastener must meet necessary loading and code requirements.

NOTE: All panels are subject to surface distortion due to improperly applied fasteners. Overdriven fasteners will cause stress and induce oil canning across the face of the panel at or near the point of attachment.

► Availability

Finishes: Acrylic Coated Galvalume®, MS Colorfast45®, or various PVDF (Kynar 500®) colors.

Gauges: 26 gauge or 24 gauge

SECTION PROPERTIES

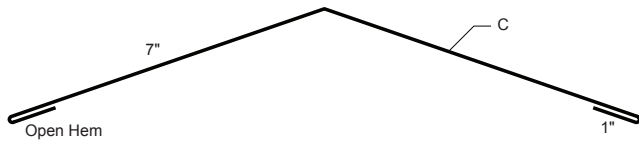
ALLOWABLE UNIFORM LOADS, psf
For various fastener spacings

Ga.	Width in	Yield ksi	Weight psf	Top In Compression		Bottom In Compression		Outward Load			
				Ixx in ⁴ /ft	Sxx in ³ /ft	Ixx in ⁴ /ft	Sxx in ³ /ft	Load			
								0'-6"	1'-0"	1'-6"	2'-0"
26	16	50	0.92	0.0165	0.0174	0.0165	0.0177	103	96	90	84
24	16	50	1.19	0.0210	0.0226	0.0210	0.0226	103	96	90	84

- Theoretical section properties have been calculated per AISI 2016 'North American Specification for the Design of Cold-Formed Steel Structural Members'. Ixx and Sxx are effective section properties for deflection and bending.
- Allowable loads are calculated in accordance with AISI 2016 specifications considering bending, shear, combined bending and shear, deflection and UL 580 uplift testing for 26 ga using #10-12x1" Pancakehead Wood Screw into 5/8" plywood. Allowable loads consider the 3 or more equal spans condition. Allowable loads do not address web crippling, fasteners or support material. Panel weight is not considered.
- Deflection consideration is limited by a maximum deflection ratio of L/180 of span.
- Allowable loads do not include a 1/3 stress increase for wind.

7" RIDGE/HIP COVER

Specify Pitch

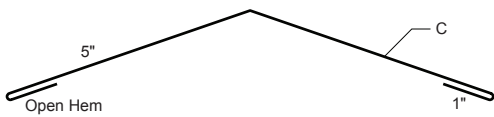


Product No.	Length	Gauge	Finish
5013141	10'-2"	26	Galvalume (ACG)
50131XX	10'-2"	26	CF45 Painted
51131XX	10'-2"	26	PVDF Painted
5213141	10'-2"	24	Galvalume (ACG)
52131XX	10'-2"	24	PVDF Painted

Flashing Stretch Out = 16"

5" RIDGE/HIP COVER

Specify Pitch

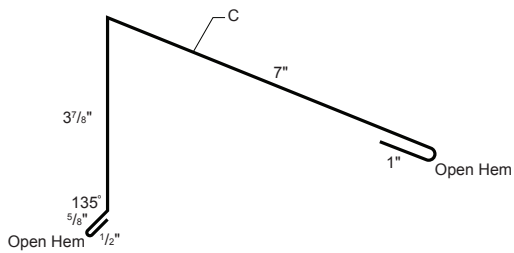


Product No.	Length	Gauge	Finish
5013041	10'-2"	26	Galvalume (ACG)
50130XX	10'-2"	26	CF45 Painted
51130XX	10'-2"	26	PVDF Painted
5213041	10'-2"	24	Galvalume (ACG)
52130XX	10'-2"	24	PVDF Painted

Flashing Stretch Out = 12"

VERTICAL SEAM RESIDENTIAL PEAK

Specify Pitch

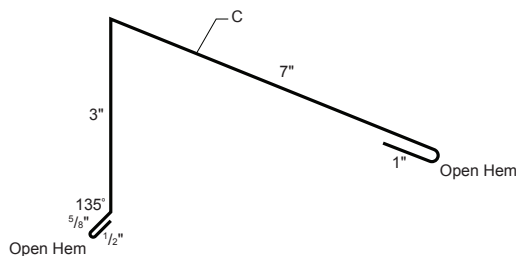


Product No.	Length	Gauge	Finish
5013341	10'-2"	26	Galvalume (ACG)
50133XX	10'-2"	26	CF45 Painted
51133XX	10'-2"	26	PVDF Painted
5213341	10'-2"	24	Galvalume (ACG)
52133XX	10'-2"	24	PVDF Painted

Flashing Stretch Out = 13"

IMAGE II RESIDENTIAL PEAK

Specify Pitch

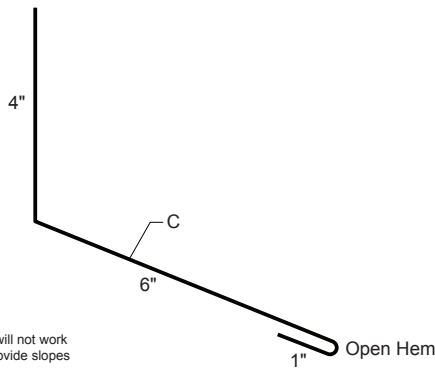


Product No.	Length	Gauge	Finish
5013441	10'-2"	26	Galvalume (ACG)
50134XX	10'-2"	26	CF45 Painted
51134XX	10'-2"	26	PVDF Painted
5213441	10'-2"	24	Galvalume (ACG)
52134XX	10'-2"	24	PVDF Painted

Flashing Stretch Out = 12 1/8"

RESIDENTIAL PITCH BREAK

Specify Pitch

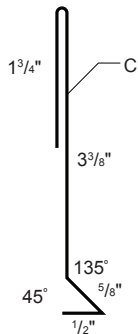


NOTE: 6" dimension will not work in all applications. Provide slopes of adjoining planes

Product No.	Length	Gauge	Finish
5394341	10'-2"	26	Galvalume (ACG)
53943XX	10'-2"	26	CF45 Painted
51143XX	10'-2"	26	PVDF Painted
5294341	10'-2"	24	Galvalume (ACG)
52943XX	10'-2"	24	PVDF Painted

Flashing Stretch Out = 11"

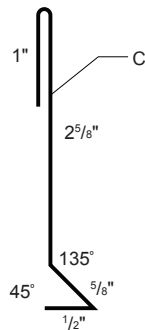
VERTICAL SEAM RESIDENTIAL RAKE



Product No.	Length	Gauge	Finish
5012741	10'-2"	26	Galvalume (ACG)
50127XX	10'-2"	26	CF45 Painted
51127XX	10'-2"	26	PVDF Painted
5212741	10'-2"	24	Galvalume (ACG)
52127XX	10'-2"	24	PVDF Painted

Flashing Stretch Out = 6 1/4"

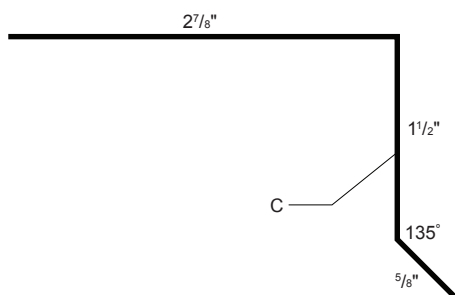
IMAGE II RESIDENTIAL RAKE



Product No.	Length	Gauge	Finish
5102641	10'-2"	26	Galvalume (ACG)
51026XX	10'-2"	26	CF45 Painted
51126XX	10'-2"	26	PVDF Painted
5212641	10'-2"	24	Galvalume (ACG)
52126XX	10'-2"	24	PVDF Painted

Flashing Stretch Out = 4 3/4"

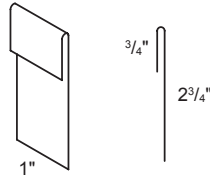
RESIDENTIAL RAKE CLEAT



Product No.	Length	Gauge	Finish
5013241	10'-2"	26	Galvalume (ACG)
50132XX	10'-2"	26	CF45 Painted
51132XX	10'-2"	26	PVDF Painted
5213241	10'-2"	24	Galvalume (ACG)
52132XX	10'-2"	24	PVDF Painted

Flashing Stretch Out = 5"

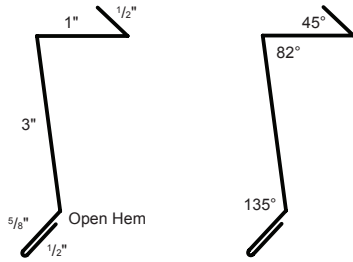
FLAT CLEAT (Field Cut to 1" Pieces)



Product No.	Length	Gauge	Finish
5506199	10'-2"	26	Varies
5806199	10'-2"	24	Varies

Flashing Stretch Out = 3 1/2"

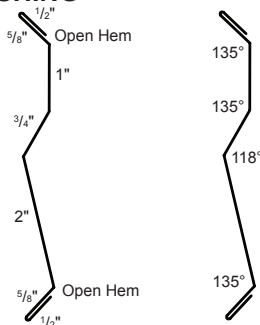
REGLET FLASHING



Product No.	Length	Gauge	Finish
5552641	10'-2"	26	Galvalume (ACG)
55526XX	10'-2"	26	CF45 Painted
56526XX	10'-2"	26	PVDF Painted
5852641	10'-2"	24	Galvalume (ACG)
58526XX	10'-2"	24	PVDF Painted

Flashing Stretch Out = 5 5/8"

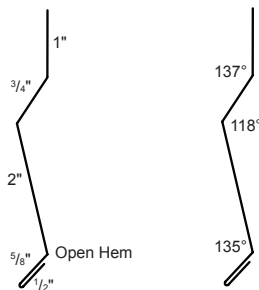
COUNTER FLASHING



Product No.	Length	Gauge	Finish
5552741	10'-2"	26	Galvalume (ACG)
55527XX	10'-2"	26	CF45 Painted
56527XX	10'-2"	26	PVDF Painted
5852741	10'-2"	24	Galvalume (ACG)
58527XX	10'-2"	24	PVDF Painted

Flashing Stretch Out = 6"

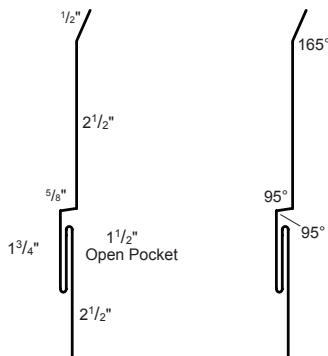
COUNTER FLASHING FLAT



Product No.	Length	Gauge	Finish
5552841	10'-2"	26	Galvalume (ACG)
55528XX	10'-2"	26	CF45 Painted
56528XX	10'-2"	26	PVDF Painted
5852841	10'-2"	24	Galvalume (ACG)
58528XX	10'-2"	24	PVDF Painted

Flashing Stretch Out = 4 7/8"

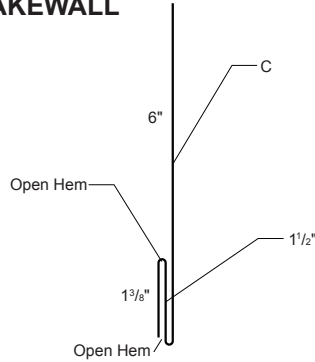
COUNTER FLASHING RECEIVER



Product No.	Length	Gauge	Finish
5552941	10'-2"	26	Galvalume (ACG)
55529XX	10'-2"	26	CF45 Painted
56529XX	10'-2"	26	PVDF Painted
5852941	10'-2"	24	Galvalume (ACG)
58529XX	10'-2"	24	PVDF Painted

Flashing Stretch Out = 9 3/8"

RESIDENTIAL RAKEWALL

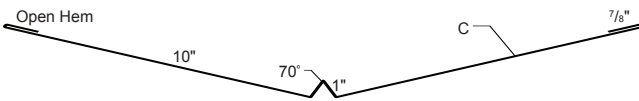


Product No.	Length	Gauge	Finish
5012941	10'-2"	26	Galvalume (ACG)
50129XX	10'-2"	26	CF45 Painted
51129XX	10'-2"	26	PVDF Painted
5212941	10'-2"	24	Galvalume (ACG)
52129XX	10'-2"	24	PVDF Painted

Flashing Stretch Out = 8⁷/₈"

RESIDENTIAL W-VALLEY

Specify Pitch

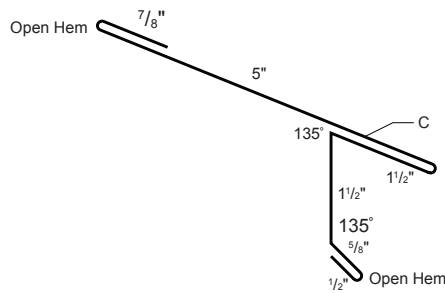


Product No.	Length	Gauge	Finish
5013641	10'-2"	26	Galvalume (ACG)
50136XX	10'-2"	26	CF45 Painted
51136XX	10'-2"	26	PVDF Painted
5213641	10'-2"	24	Galvalume (ACG)
52136XX	10'-2"	24	PVDF Painted

Flashing Stretch Out = 23³/₄"

RESIDENTIAL EXTENDED EAVE

Specify Pitch

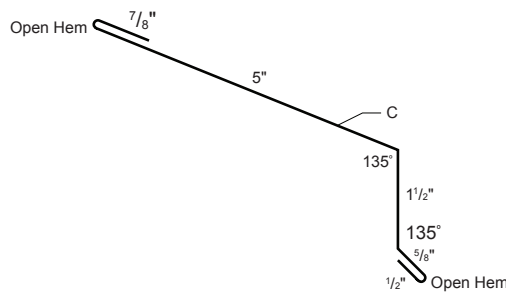


Product No.	Length	Gauge	Finish
5102441	10'-2"	26	Galvalume (ACG)
51024XX	10'-2"	26	CF45 Painted
51124XX	10'-2"	26	PVDF Painted
5212441	10'-2"	24	Galvalume (ACG)
52124XX	10'-2"	24	PVDF Painted

Flashing Stretch Out = 10"

RESIDENTIAL EAVE

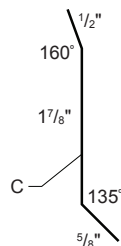
Specify Pitch



Product No.	Length	Gauge	Finish
5002241	10'-2"	26	Galvalume (ACG)
50022XX	10'-2"	26	CF45 Painted
51122XX	10'-2"	26	PVDF Painted
5202241	10'-2"	24	Galvalume (ACG)
52022XX	10'-2"	24	PVDF Painted

Flashing Stretch Out = 8¹/₂"

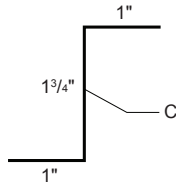
RESIDENTIAL CLEAT



Product No.	Length	Gauge	Finish
5013599	10'-2"	26	Varies
5213599	10'-2"	24	Varies

Flashing Stretch Out = 3"

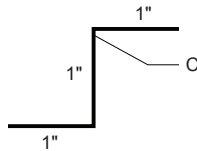
VERTICAL SEAM Z-CLOSURE



Product No.	Length	Gauge	Finish
5570241	10'-2"	26	Galvalume (ACG)
55702XX	10'-2"	26	CF45 Painted
56702XX	10'-2"	26	PVDF Painted
5870241	10'-2"	24	Galvalume (ACG)
58702XX	10'-2"	24	PVDF Painted

Flashing Stretch Out = 3³/₄"

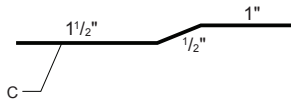
IMAGE II Z-CLOSURE



Product No.	Length	Gauge	Finish
5560341	10'-2"	26	Galvalume (ACG)
55603XX	10'-2"	26	CF45 Painted
56603XX	10'-2"	26	PVDF Painted
5860341	10'-2"	24	Galvalume (ACG)
58603XX	10'-2"	24	PVDF Painted

Flashing Stretch Out = 3"

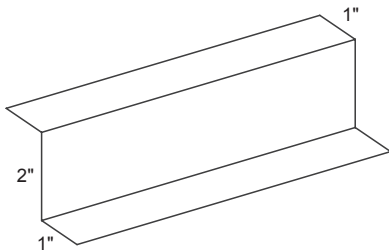
OFFSET CLEAT



Product No.	Length	Gauge	Finish
5506499	10'-2"	26	Varies
5806499	10'-2"	24	Varies

Flashing Stretch Out = 3"

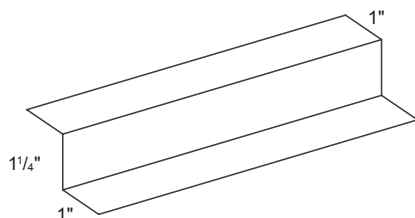
VERTICAL SEAM END CAP



Product No.	Length	Gauge	Finish
5011041	10'-2"	26	Galvalume (ACG)
50110XX	10'-2"	26	CF45 Painted
51110XX	10'-2"	26	PVDF Painted
5211041	10'-2"	24	Galvalume (ACG)
52110XX	10'-2"	24	PVDF Painted

Flashing Stretch Out = 4"

IMAGE II END CAP



Product No.	Length	Gauge	Finish
5011141	10'-2"	26	Galvalume (ACG)
50111XX	10'-2"	26	CF45 Painted
51111XX	10'-2"	26	PVDF Painted
5211141	10'-2"	24	Galvalume (ACG)
52111XX	10'-2"	24	PVDF Painted

Flashing Stretch Out = 3¹/₄"

VERTICAL SEAM CLIP



Product No.	Height	Weight/Ea	Finish
4923565	1 ³ / ₄ "	0.15 lbs	Galvanized

PROFILE VENT



Product No.	Panel Profile	Length	Type
6462118	16" Vertical Seam	100'	Notched
6462119	18" Vertical Seam	100'	Notched
6441799	12" Image II	100'	Notched
6441898	16" Image II	50'	Notched
6441899	16" Image II	100'	Notched

PROFILE VENT CLIPS



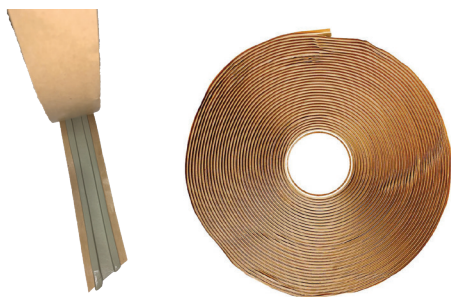
Product No.	Length	Height	Finish
6541000	Vertical Seam	1 ³ / ₄ "	Black
6540000	Image II	1"	Black

TUBE SEALANT



Product No.	Length	Weight	Finish
6403200	Acrylic Tube Sealant	3.31 lbs	Clear
64032XX	Tube Sealant	3.31 lbs	Color Match

DOUBLE BEAD TAPE SEALANT



Product No.	Length	Weight	Color
6403899	25'-0"	1.75 lbs	Gray

20" DUAL BAR FOLDER/HEMMER

Product No.

6531299



TURBO SHEARS

Product No.

6534599



VERSA HEMMER

Product No.

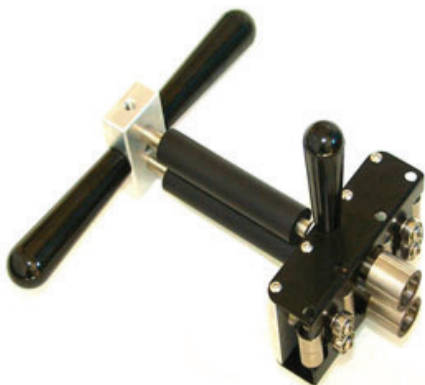
6531499



VERSA BENDER SINGLE

Product No.

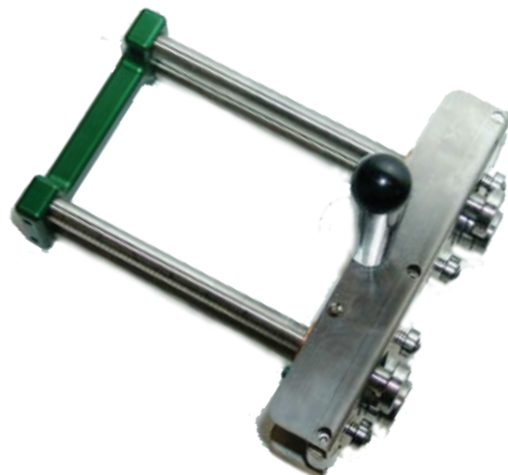
6531599



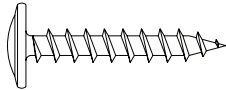
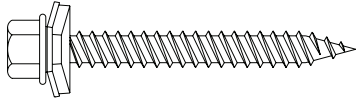

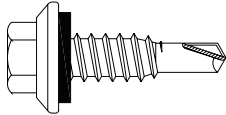
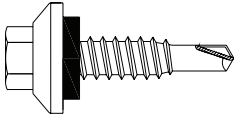
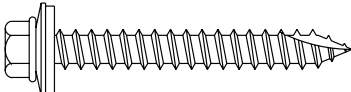


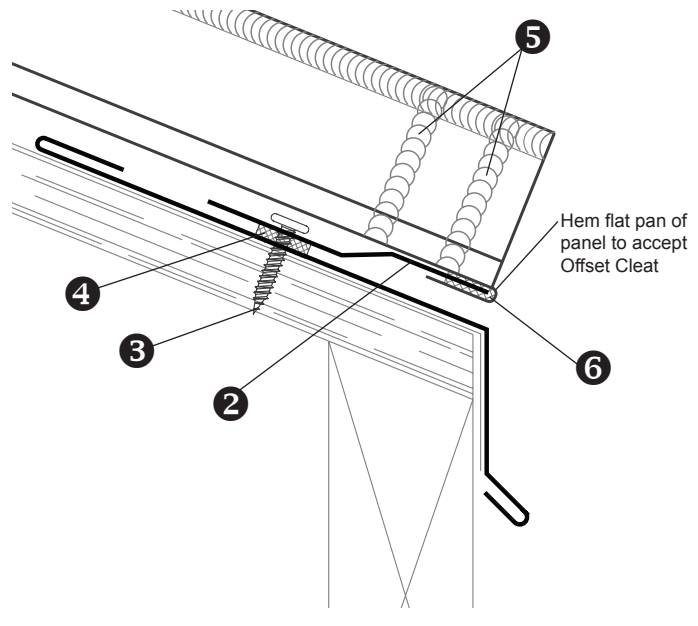
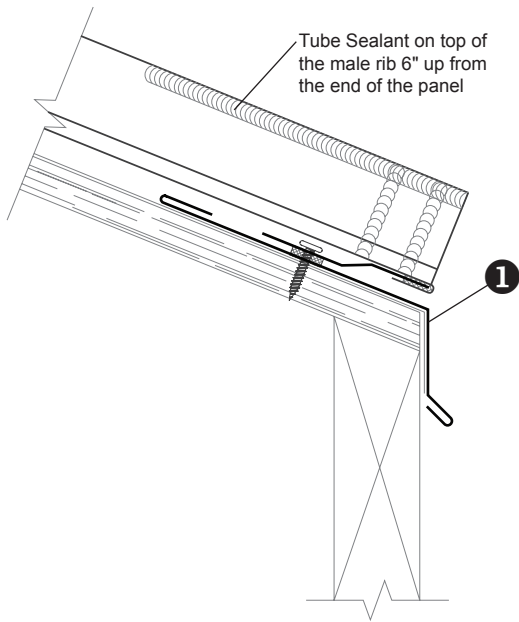
VERSA BENDER DOUBLE STATION

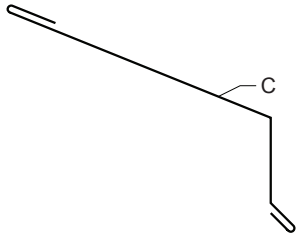
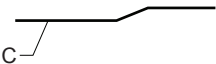




Product No.

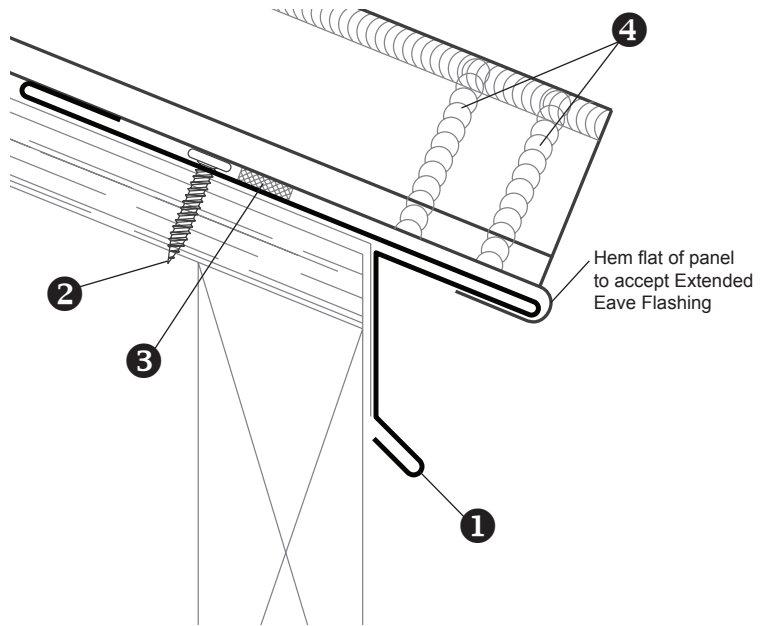
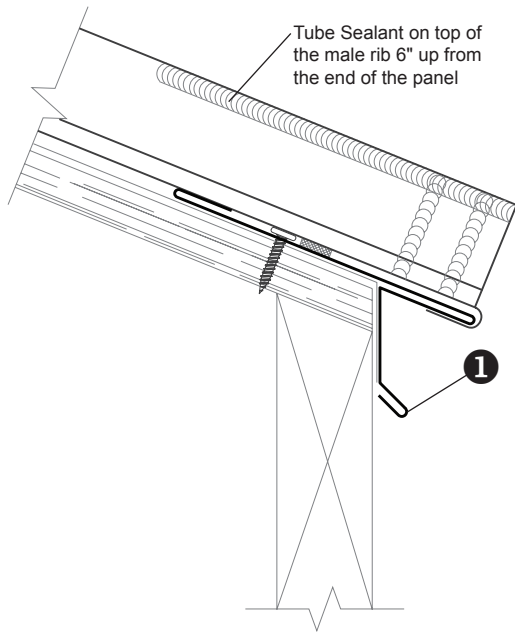
6531699



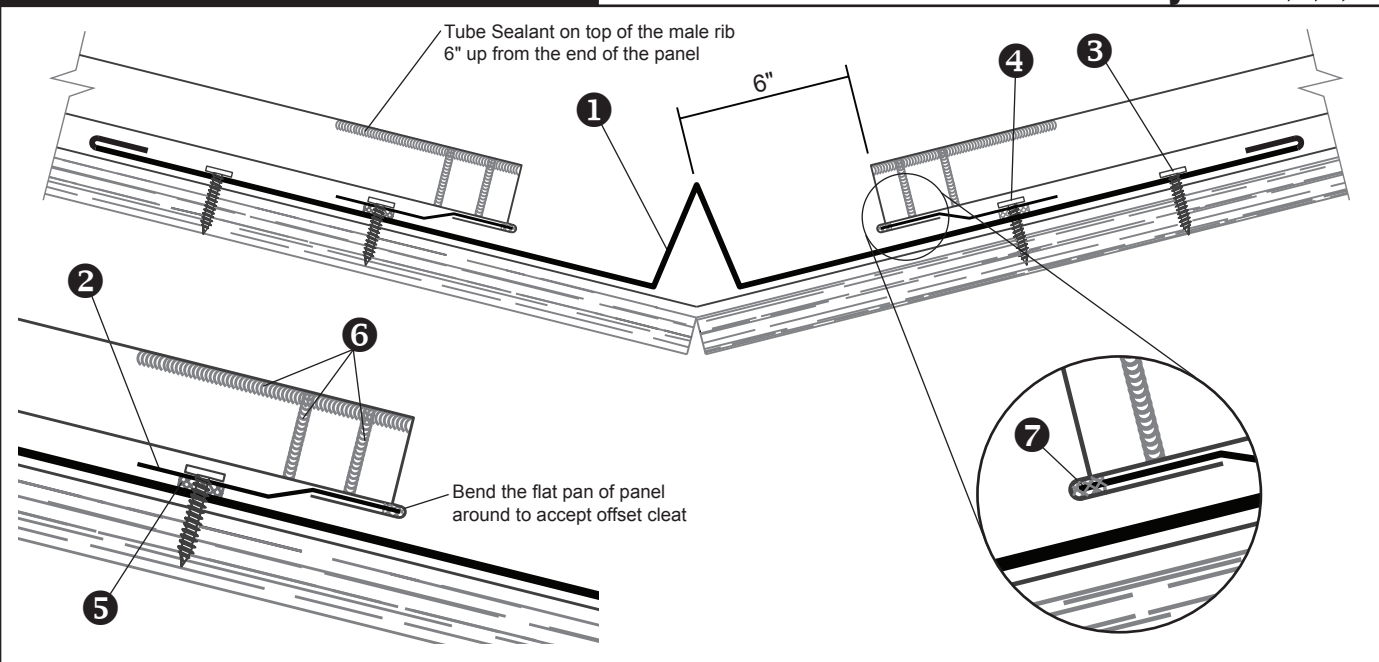
POP RIVET	Product No.	Description	WT/250	Finish
	8240901	1/8" x 3/16" Stainless Steel	0.75 lbs	Bare
	82409XX	1/8" x 3/16" Stainless Steel	0.75 lbs	Painted
PANCAKE HEAD WOOD SCREW	Product No.	Description	WT/250	Finish
	8243100	#10-12 x 1" PH Wood Screw	1.90 lbs	Plated
TRUSS HEAD WOOD SCREW	Product No.	Description	WT/250	Finish
	8243300	#8-15 x 1" TH Wood Screw	1.90 lbs	Plated
WOOD SCREW	Product No.	Description	WT/250	Finish
	82103XX	#10-14 x 1 1/2" Wood Screw	2.75 lbs	Painted
WOOD SCREW XL	Product No.	Description	WT/250	Finish
	8212300	#10-14 x 1 1/2" Wood Screw XL	3.75 lbs	Plated
	82123XX	#10-14 x 1 1/2" Wood Screw XL	3.75 lbs	Painted
STITCH	Product No.	Description	WT/250	Finish
	82348XX	1/4"-14 x 7/8" Stitch	3.85 lbs	Painted
STITCH XL	Product No.	Description	WT/250	Finish
	8236800	1/4"-14 x 7/8" Stitch XL	5.25 lbs	Plated
	82368XX	1/4"-14 x 7/8" Stitch XL	5.25 lbs	Painted
METALWOOD SCREW	Product No.	Description	WT/250	Finish
	8215100	#14 x 1 1/2" Metalwood screw	3.75 lbs	Plated
	82151XX	#14 x 1 1/2" Metalwood screw	3.75 lbs	Painted

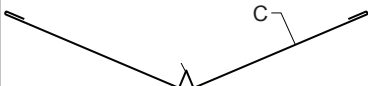
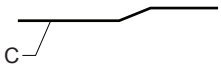







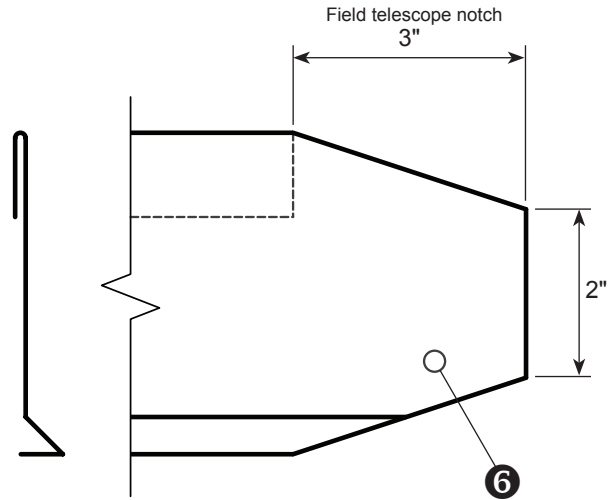
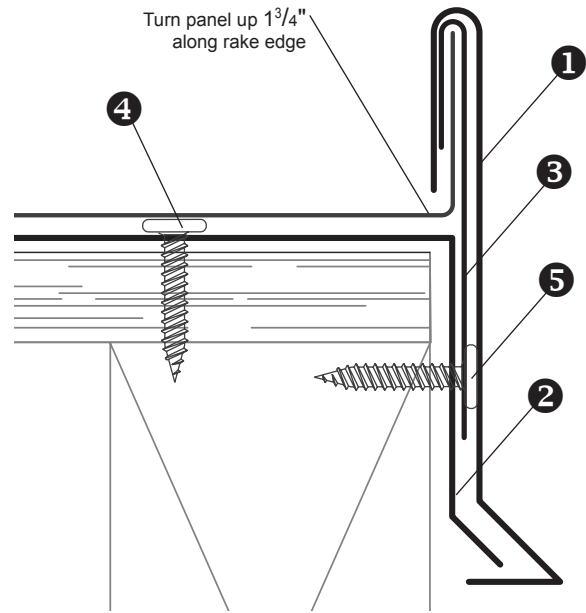
	Part	Description	Product No.	Length	Installation Information
1		Residential Eave	50022XX 26 Gauge	10'-2"	<ul style="list-style-type: none"> ▶ Wrap cardboard around panel hem when crimping closed to the Offset Cleat. ▶ Telescope notch the Eave flashing 3" at all lap locations.
2		Offset Cleat	5506499 26 Gauge	10'-2"	<ul style="list-style-type: none"> ▶ Offset Cleat should be installed so that the edge aligns with the fascia board.
3		Pancake Head Wood Screw	8243100	1"	<ul style="list-style-type: none"> ▶ 1 every 6" fastened through the Offset Cleat and Double Bead Tape Sealant.
4		Double Bead Tape Sealant	6403899	25'	<ul style="list-style-type: none"> ▶ Continuous Double Bead Tape Sealant under Offset Cleat.
5		Tube Sealant	6403200 64032XX		<ul style="list-style-type: none"> ▶ Apply 2 continuous vertical beads of Tube Sealant to the male leg of the panel as shown.
6		Tube Sealant	6403200 64032XX		<ul style="list-style-type: none"> ▶ Apply continuous bead of Tube Sealant to the open hem of the panel.



	Part	Description	Product No.	Length	Installation Information
1		Residential Extended Eave	51024XX 26 Gauge	10'-2"	<ul style="list-style-type: none"> ▶ Wrap cardboard around panel hem when crimping closed to the Extended Eave. ▶ Telescope notch the Extended Eave flashing 3" at all lap locations.
2		Pancake Head Wood Screw	8243100	1"	<ul style="list-style-type: none"> ▶ Fasten 6" o.c. to hold Extended Eave Flashing in place.
3		Double Bead Tape Sealant	6403899	25'	<ul style="list-style-type: none"> ▶ Apply continuous Double Bead Tape Sealant on Extended Eave below Pancake Head Wood Screws.
4		Tube Sealant	6403200 64032XX		<ul style="list-style-type: none"> ▶ Apply 2 continuous beads of Tube Sealant to the male leg of the panel as shown.

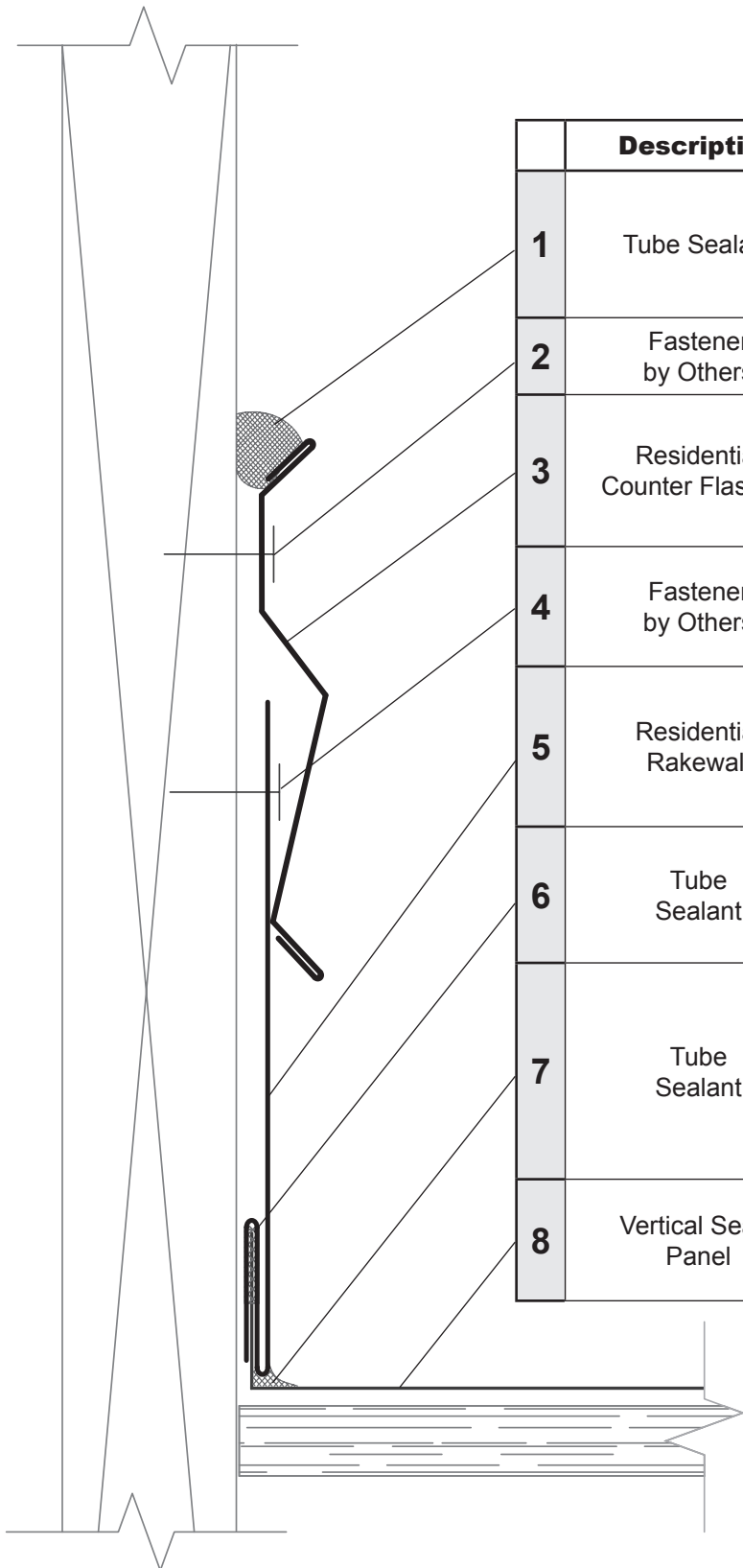


Part	Description	Product No.	Length	Installation Information
1	 Residential W-Valley	50136XX 26 Gauge	10'-2"	▶ Always install W-Valley Flashing working from eave up slope.
2	 Offset Cleat	5506499 26 Gauge	10'-2"	▶ Install Offset Cleat in a straight line from eave to high end of the valley, 6" from the center of the valley on each side.
3	 Pancake Head Wood Screw	8243100	1"	▶ 4 per 10' of length, to secure flashing in place.
4	 Pancake Head Wood Screw	8243100	1"	▶ 6" on center. Fasten through Double Bead Tape Sealant.
5	 Double Bead Tape Sealant	6403899	25'	▶ Continuous Double Bead Tape Sealant between Offset Cleat and Valley.
6	 Tube Sealant	6403200 64032XX		▶ Apply 2 continuous vertical beads of Tube Sealant to the male leg of the panel and along the top of the rib.
7	 Tube Sealant	6403200 64032XX		▶ Apply continuous bead of Tube Sealant to the open hem of the panel.

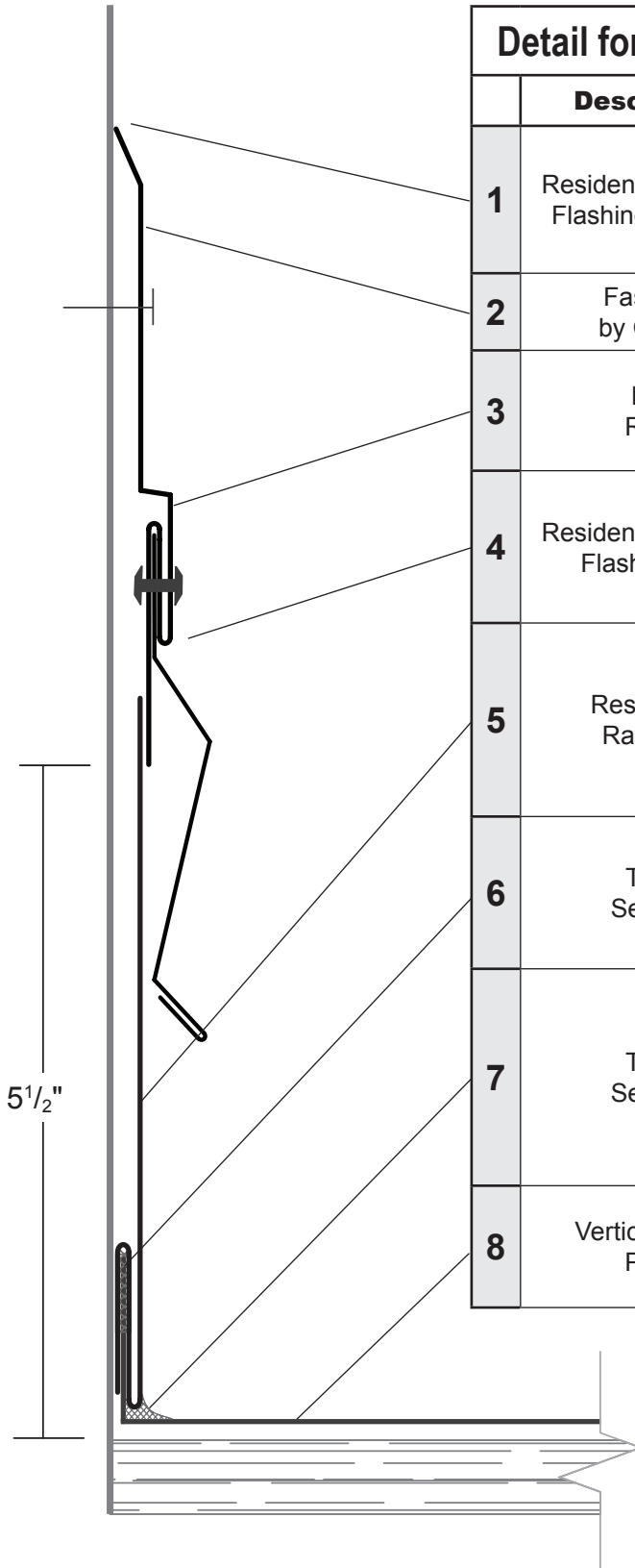


Vertical Seam Residential Rake Flashing Lap Detail

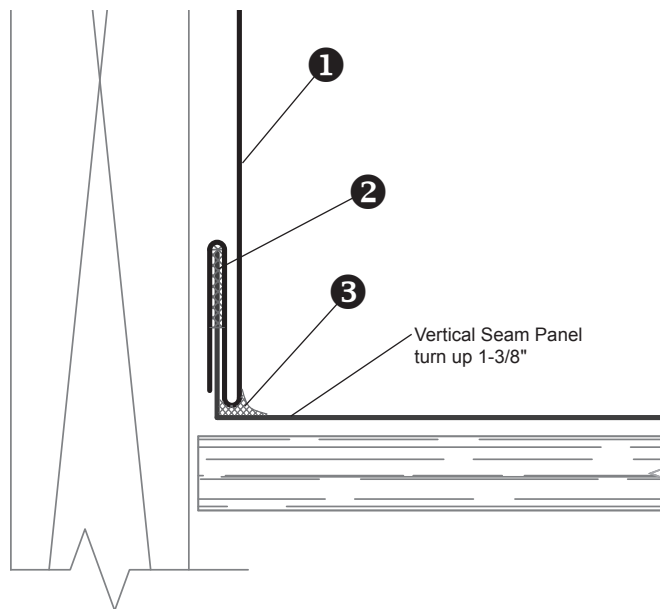
	Part	Description	Product No.	Length	Installation Information
1		Vertical Seam Residential Rake	50127XX 26 Gauge	10'-2"	<ul style="list-style-type: none"> ▶ Rake Flashing hooked over the panel edge. Attach to the Rake Cleat. ▶ Pinch hem closed along the entire rake edge.
2		Residential Rake Cleat	50132XX 26 Gauge	10'-2"	<ul style="list-style-type: none"> ▶ Fasten Rake Cleat to substrate with either Truss Head or Pancake Head Wood Screw.
3		Flat Cleat	5506199 26 Gauge	10'-2"	<ul style="list-style-type: none"> ▶ Field cut to 1" wide cleats. ▶ Installed over panel edge spaced 18" o.c. or to match panel fastener spacing. ▶ Fasten with Pancake Head Wood Screws.
4		Pancake Head Wood Screw	8243100	1"	<ul style="list-style-type: none"> ▶ 1 per lineal foot of condition to 18" o.c.
5		Pancake Head Wood Screw	8243100	1"	<ul style="list-style-type: none"> ▶ 1 per Flat Cleat. ▶ 18" o.c. or to match panel fastener spacing.
6		1/8" X 3/16" Pop Rivet	82409XX		<ul style="list-style-type: none"> ▶ Install single Pop Rivet through the Rake into the Rake Cleat.



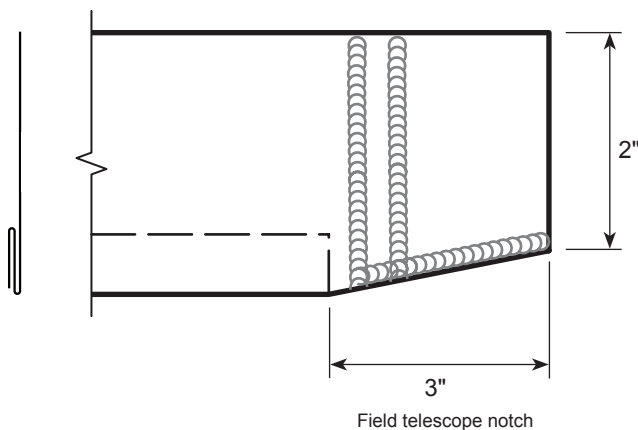
	Description	Installation Information
1	Tube Sealant	▶ Fill the space between the Counter Flashing and the wall.
2	Fastener by Others	▶ Fasten as shown
3	Residential Counter Flashing	▶ Fasten to wall over Residential Rakewall flashing.
4	Fastener by Others	▶ Fasten as shown
5	Residential Rakewall	▶ Slide Residential Rakewall over the Image II panel edge.
6	Tube Sealant	▶ Apply a continuous bead of Tube Sealant to the slip pocket.
7	Tube Sealant	▶ Apply a continuous bead of Tube Sealant to the inside corner of the panel prior to attaching the flashing. ▶ Push flashing down over the panel turn-up and into the sealant. ▶ Wipe away excess sealant with finger or plastic caulk smoothing tool.
8	Vertical Seam Panel	▶ Turn up panel 1 ³ / ₈ " for Rakewall Slip Pocket



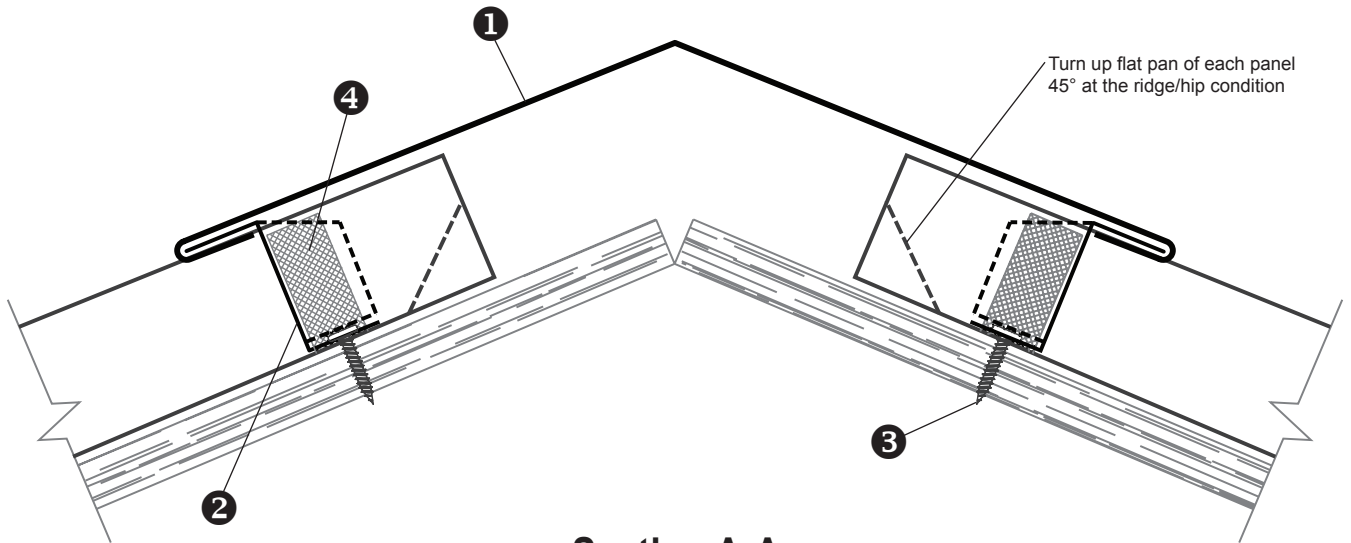
Detail for Installation of Siding Prior to Panels		
	Description	Installation Information
1	Residential Counter Flashing Receiver	▶ Install bottom edge of flashing 5 1/2" up from the substrate.
2	Fastener by Others	▶ Fasten as shown
3	Pop Rivet	▶ Fasten Receiver to the Counter Flashing 12" o.c.
4	Residential Counter Flashing Flat	▶ Slide into open hem of Counter Flashing Receiver
5	Residential Rakewall	▶ Slide Residential Rakewall over the Image II panel edge.
6	Tube Sealant	▶ Apply a continuous bead of Tube Sealant to the slip pocket.
7	Tube Sealant	▶ Apply a continuous bead of Tube Sealant to the inside corner of the panel prior to attaching the flashing. ▶ Push flashing down over the panel turn-up and into the sealant. ▶ Wipe away excess sealant with finger or plastic caulk smoothing tool.
8	Vertical Seam Panel	▶ Turn up panel 1 3/8" for Rakewall Slip Pocket



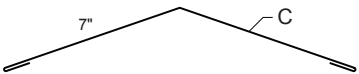
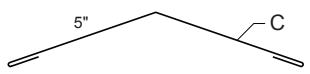
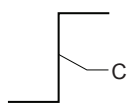


Residential Rakewall Flashing Lap Detail

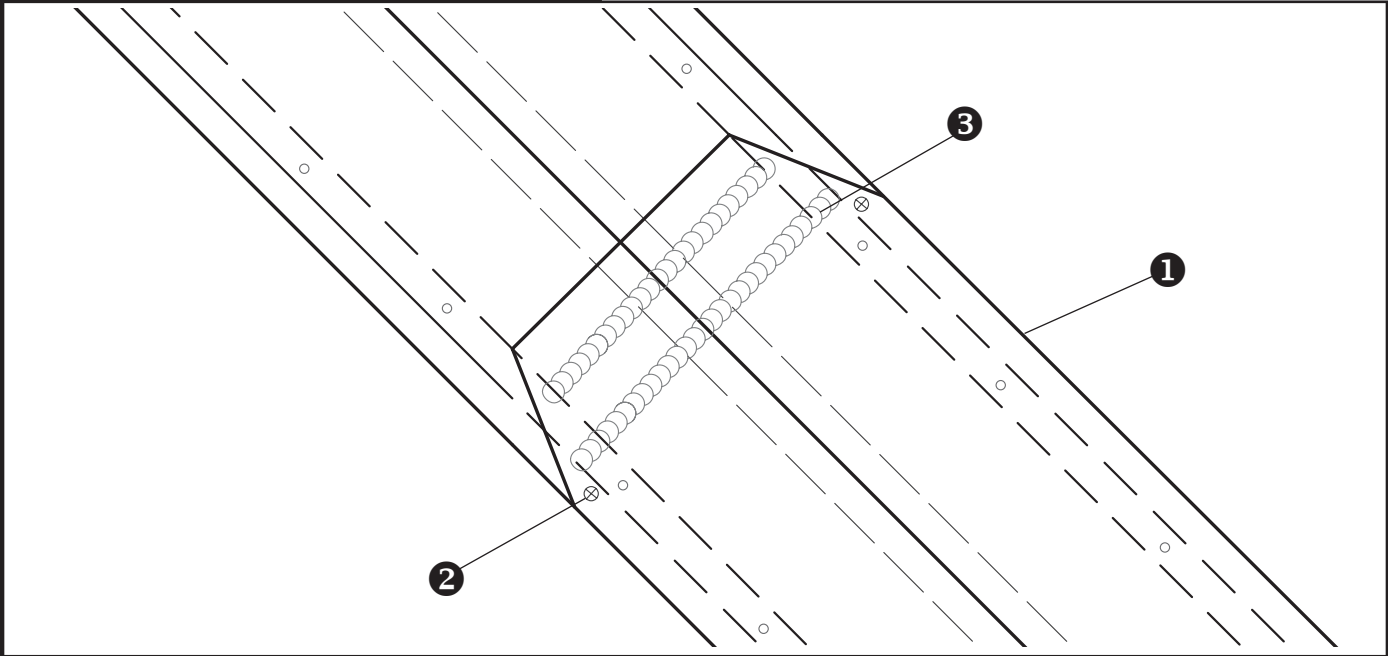


	Part	Description	Product No.	Length	Installation Information
1		Residential Rakewall	50129XX 26 Gauge	10'-2"	<ul style="list-style-type: none"> ▶ Slide Residential Rakewall over the Vertical Seam panel edge.
2		Tube Sealant	6403200 64032XX		<ul style="list-style-type: none"> ▶ Apply a continuous bead of Tube Sealant to the slip pocket.
3		Tube Sealant	6403200 64032XX		<ul style="list-style-type: none"> ▶ Apply a continuous bead of Tube Sealant to the inside corner of the panel prior to attaching the flashing. ▶ Push flashing down over the panel turn-up and into the sealant. ▶ Wipe away excess sealant with finger or plastic caulk smoothing tool.

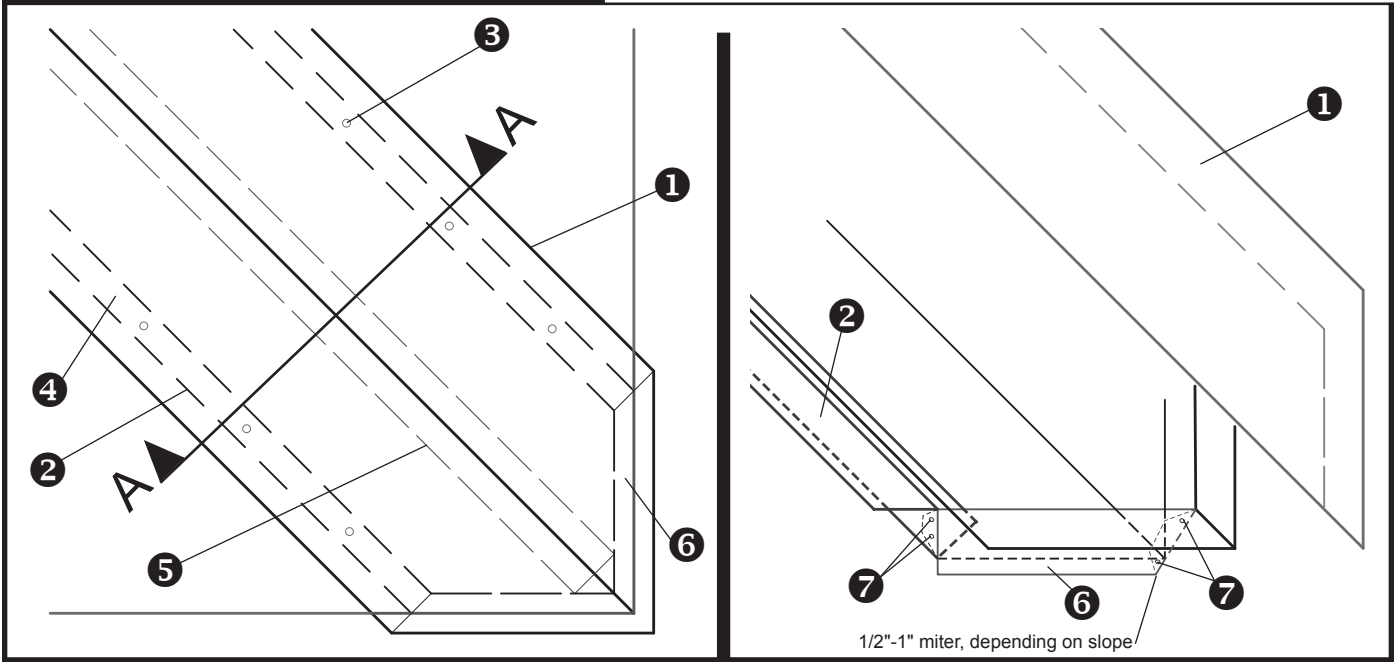


Section A-A

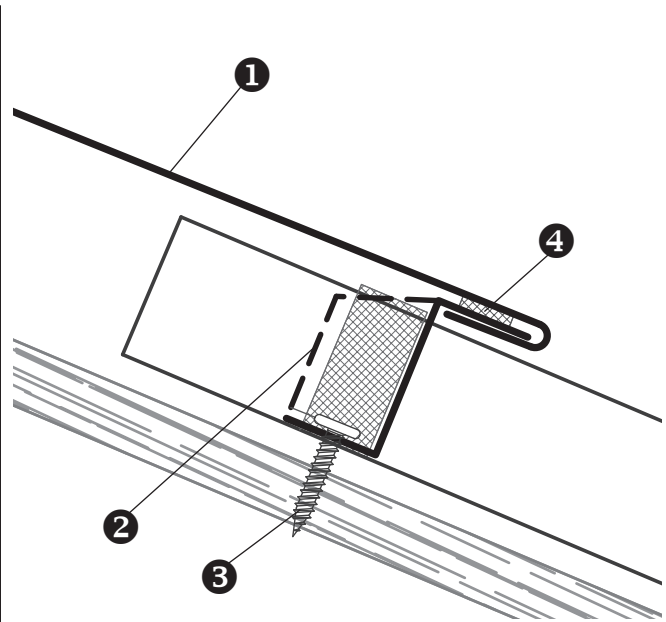
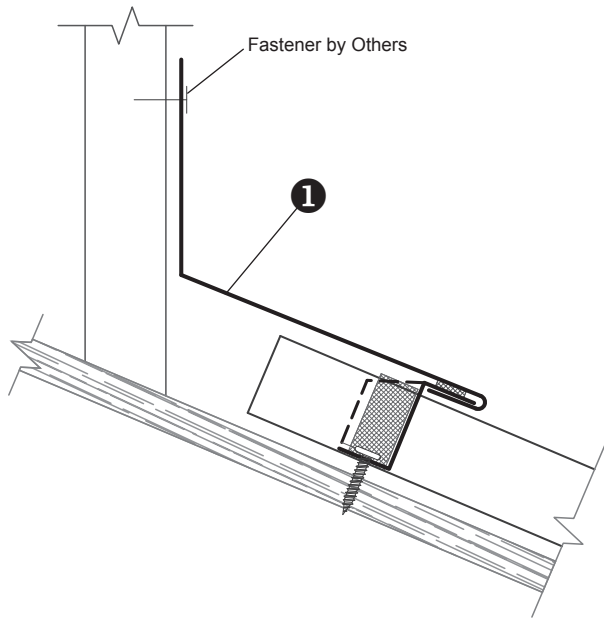
	Part	Description	Product No.	Length	Installation Information
1		7" Ridge/Hip Cover	50131XX 26 Gauge	10'-2"	▶ Slide Ridge/Hip Cover over top flange of Z-Closures.
		5" Ridge/Hip Cover	50130XX 26 Gauge		
2		Vertical Seam Z-Closure	55702XX 26 Gauge	10'-2"	▶ 1" end tabs on Z-Closure.
3		Pancake Head Wood Screw	8243100	1"	▶ 4 required at every Z-Closure fastening through the Z-Closure and Double Bead Tape Sealant.
4		Double Bead Tape Sealant	6403899	25'	▶ Continuous Double Bead Tape Sealant required over face of panels and up and over ribs.



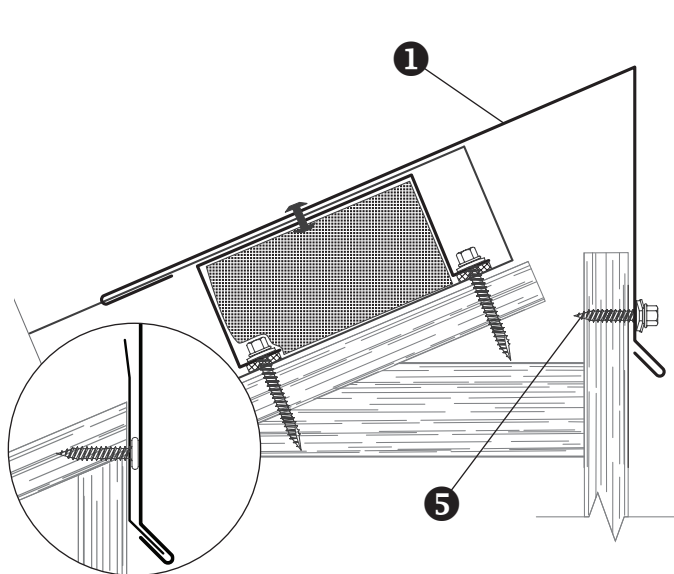
	Description	Installation Information
1	Ridge/Hip Cover	▶ Telescope notch each piece 3" at high side and fasten to the adjacent Ridge/Hip Flashing with a Pop Rivet on each side.
2	Pop Rivet	▶ 2 Pop Rivets per notched tab, attaching the flashings.
3	Tube Sealant	▶ Apply two rows of Tube Sealant between the two lapped flashings.



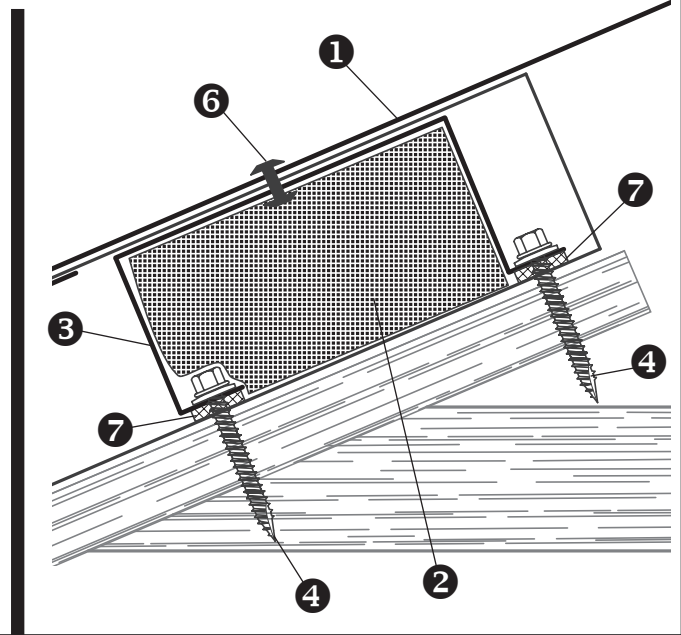
	Description	Installation Information
1	Ridge/Hip Cover	▶ Open hems of the Hip Flashing slide onto 1" top flanges of Z-Closure. Fold 1" hems over top flashings of Vertical Seam end cap. Attach high side of flashing as shown on page 24.
2	Vertical Seam Z-Closure	▶ Z-Closures over continuous Double Bead Tape Sealant.
3	Pancake Head Wood Screw	▶ Attach Vertical Seam Z-Closures with Pancake Head Wood Screws or Truss Head Wood Screws.
4	Double Bead Tape Sealant	▶ Double Bead Tape Sealant required under Z-Closures and over panel ribs. A weep hole/gap in the Double Bead Tape Sealant is required at the low side of the Z-Closure, along the panel rib.
5	Vertical Seam Panel	▶ Turn the Vertical Seam panel ends turned up to vertical 1" at the hip.
6	Vertical Seam End Cap	▶ Lower flange of End Cap covers the panel hem.
7	Pop Rivet	▶ 2 Pop Rivets per miter, attaching End Caps to the Z-Closures.



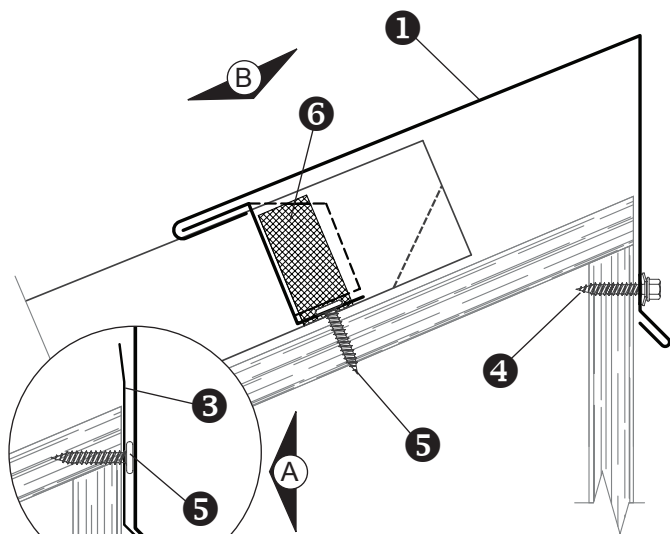
	Part	Description	Product No.	Length	Installation Information
1		Residential Pitch Break	53943XX 26 Gauge	10'-2"	▶ Open hem hooks onto Z-Closure.
2		Vertical Seam Z-Closure	55702XX 26 Gauge	10'-2"	▶ 1" end tabs on Z-Closure.
3		Pancake Head Wood Screw	8243100	1"	▶ 4 required at every Z-Closure fastening through the Double Bead Tape Sealant.
4		Double Bead Tape Sealant	6403899	25'	▶ Continuous Double Bead Tape Sealant required over face of panels and up and over ribs. ▶ Continuous Double Bead Tape Sealant required over top of Z-Closures.



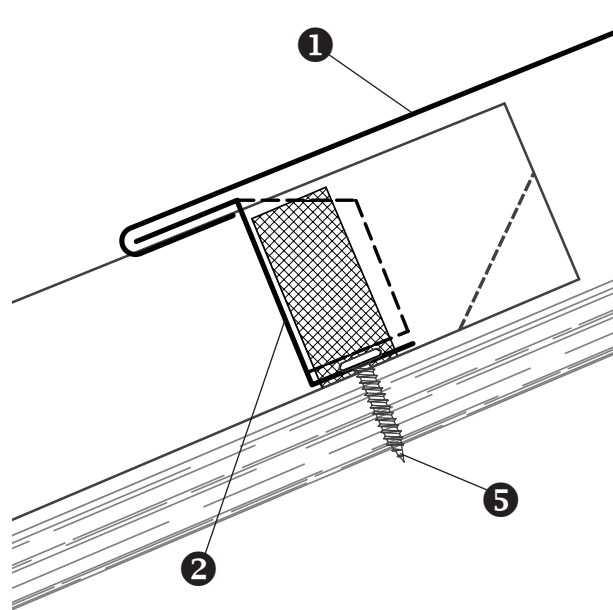
RESIDENTIAL CLEAT
OPTIONAL INSTALLATION



	Part	Description	Product No.	Length	Installation Information
1		Vertical Seam Residential Peak	50133XX 26 Gauge	10'-2"	<ul style="list-style-type: none"> ▶ Peak flashing face can be attached directly to substrate or hooked on optional Residential Cleat.
2		Profile Vent	Notched 16" 6462118 Notched 18" 6462119	100'	<ul style="list-style-type: none"> ▶ Lay over panel ribs between Peak Flashing and panel.
3		Vertical Seam Profile Vent Clip	6541000	3 1/8"	<ul style="list-style-type: none"> ▶ Place over Profile Vent and fasten with two 1 1/2" Metalwood screws. ▶ Install 2 clips per panel.
4		#14-1 1/2" Metalwood Screw	8215100	1 1/2"	<ul style="list-style-type: none"> ▶ 2 per Profile Vent Clip. ▶ Fasten through Double Bead Tape Sealant on the low side.
5		#10-14 x 1 1/2" Wood Screw	82103XX	1 1/2"	<ul style="list-style-type: none"> ▶ 1 per lineal foot of condition. ▶ *Optional Pancake Head Wood Screw can be used with Residential Cleat.
6		1/8" x 3/16" Pop Rivet	82409XX		<ul style="list-style-type: none"> ▶ Fasten Pop Rivet through the Peak into the Profile Vent Clip. ▶ *Optional install Stitch Screw.
7		Double Bead Tape Sealant	6403899	25'	<ul style="list-style-type: none"> ▶ Double Bead Tape Sealant at the low side and high side of each Profile Vent Clip.

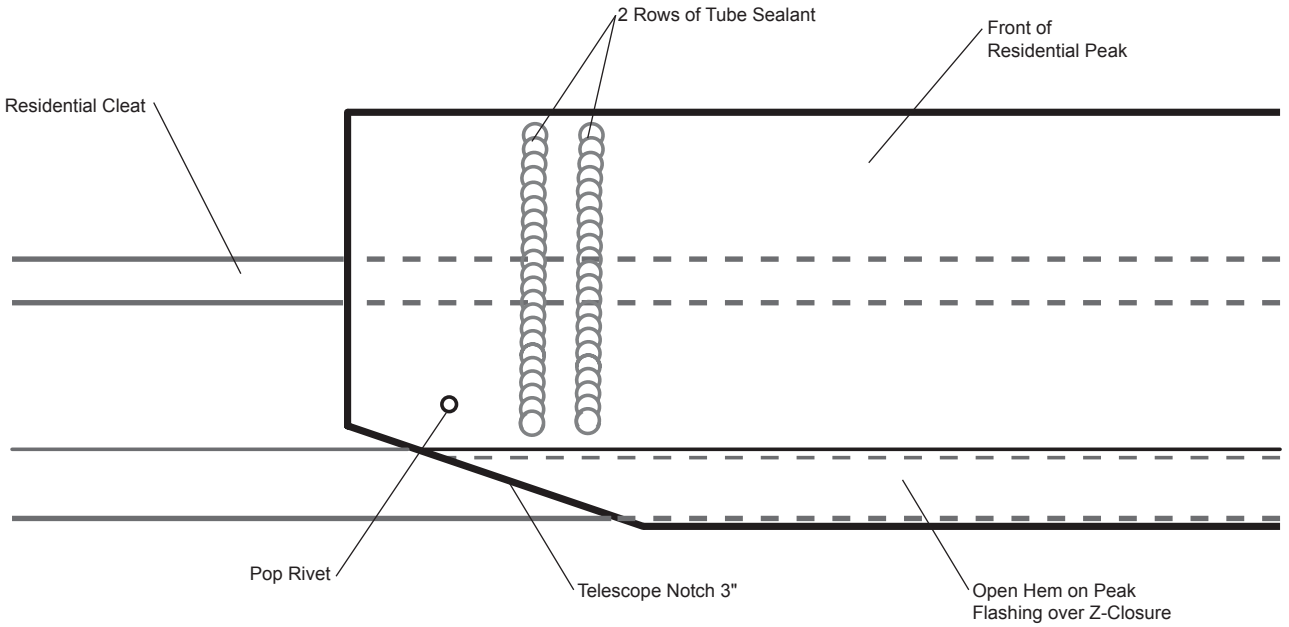


OPTIONAL CLEAT
INSTALLATION

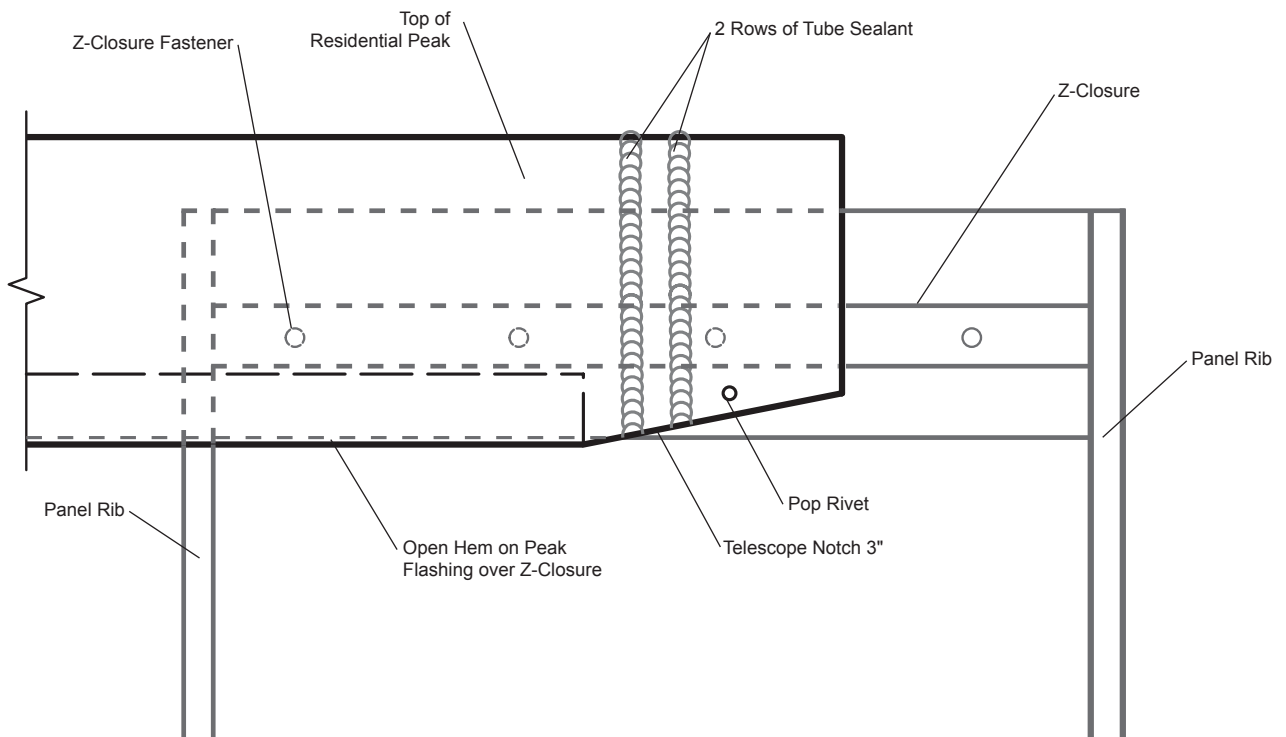


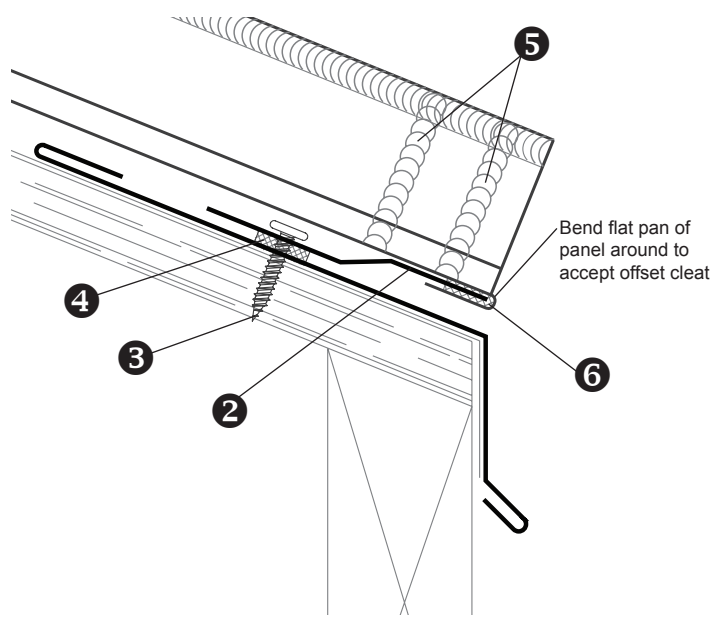
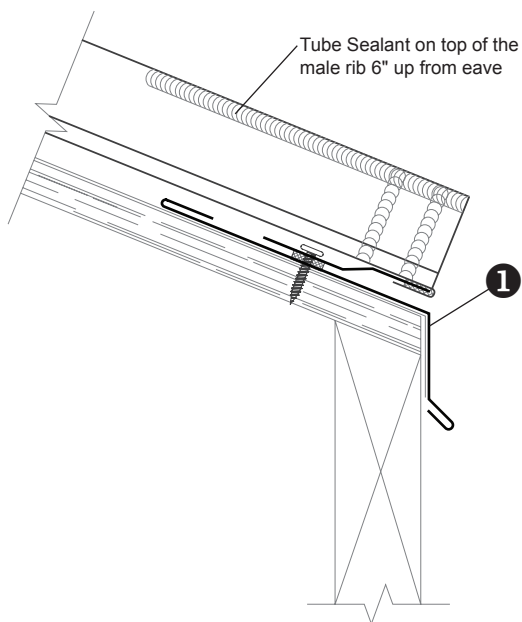
	Part	Description	Product No.	Length	Installation Information
1		Vertical Seam Residential Peak	50133XX 26 Gauge	10'-2"	▶ Peak flashing face can be attached directly to substrate or hooked on Residential Cleat.
2		Vertical Seam Z-Closure	55702XX 26 Gauge	10'-2"	▶ 1" end tabs on Z-Closure.
3		Residential Cleat	5013599 26 Gauge	10'-2"	▶ Optional concealed fastener installation. ▶ Fasten with Pancake Head Wood Screws 1 per lineal foot.
4		#10-14 x 1 1/2" Wood Screw	82103XX	1 1/2"	▶ 1 per lineal foot ▶ Not used if optional Residential Cleat is installed.
5		Pancake Head Wood Screw	8243100	1"	▶ 4 at every Z-Closure fastening through the Double Bead Tape Sealant.
6		Double Bead Tape Sealant	6403899	25'	▶ Continuous Double Bead Tape Sealant required over face of panels and up and over ribs.

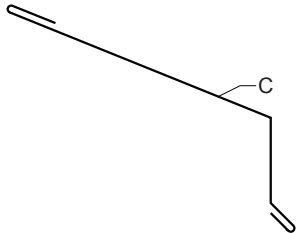
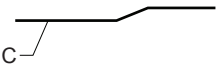




Peak Flashing Lap - Front View

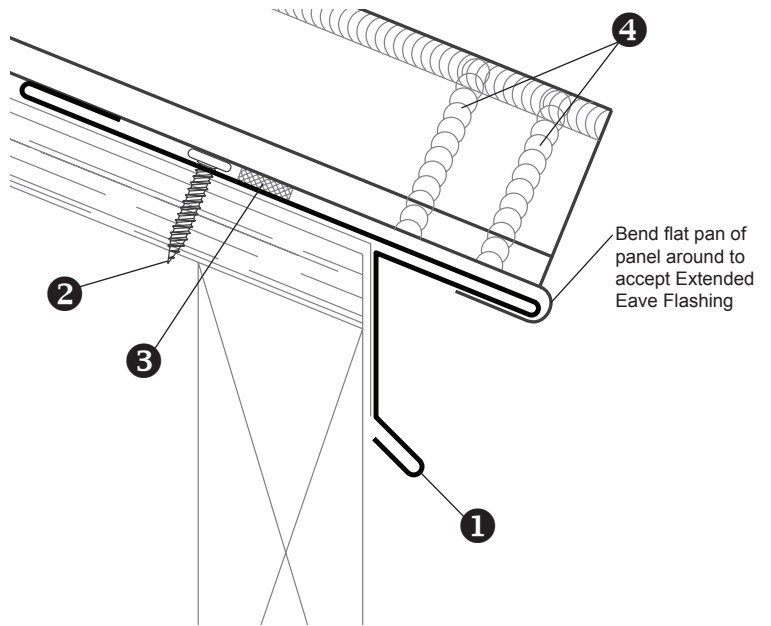
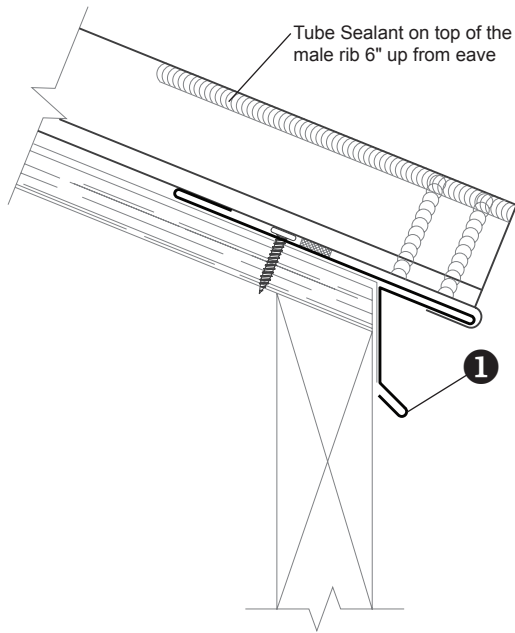


Peak Flashing Lap - Top View

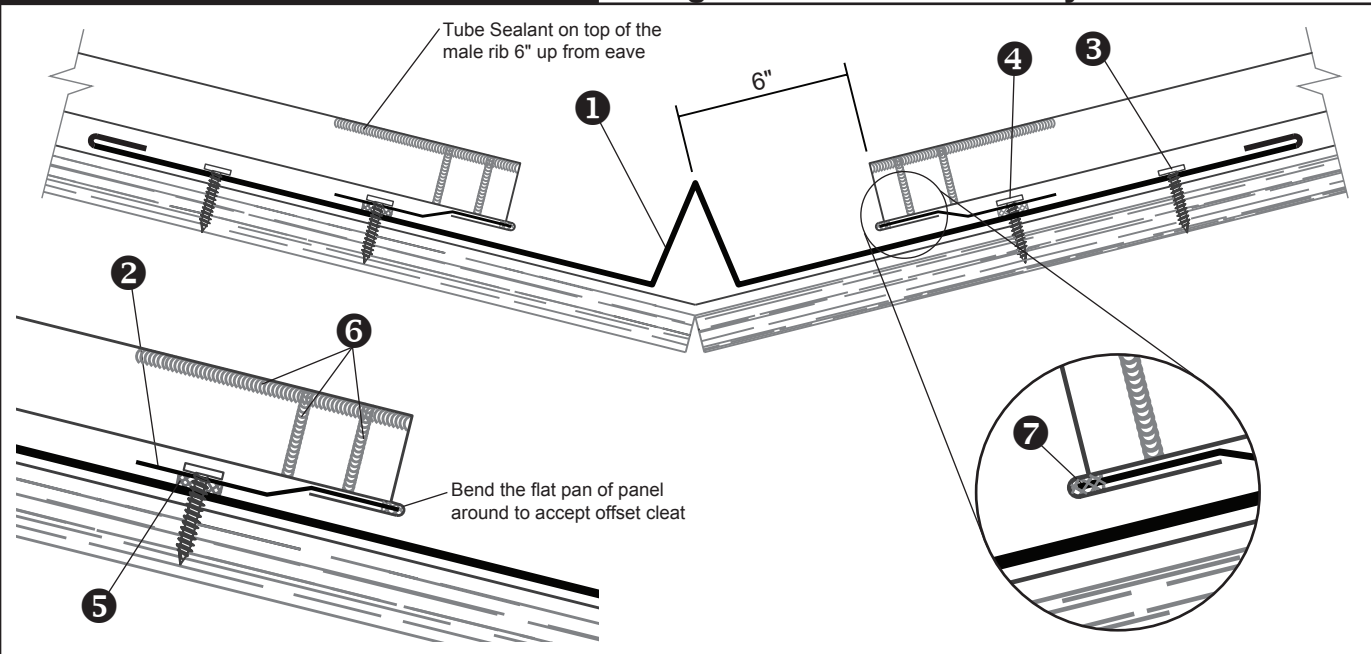




	Part	Description	Product No.	Length	Installation Information
1		Residential Eave	50022XX 26 Gauge	10'-2"	<ul style="list-style-type: none"> ▶ Wrap cardboard around panel hem when crimping closed to the Offset Cleat. ▶ Telescope notch the Eave flashing 3" at all lap locations.
2		Offset Cleat	5506499 26 Gauge	10'-2"	<ul style="list-style-type: none"> ▶ Offset Cleat should be installed so that the edge aligns with the fascia board.
3		Pancake Head Wood Screw	8243100	1"	<ul style="list-style-type: none"> ▶ 1 required every 6" fastened through the offset Cleat and Double Bead Tape Sealant.
4		Double Bead Tape Sealant	6403899	25'	<ul style="list-style-type: none"> ▶ Continuous Double Bead Tape Sealant required under Offset Cleat.
5		Tube Sealant	6403200 64032XX		<ul style="list-style-type: none"> ▶ Apply 2 continuous beads of Tube Sealant to the female leg of the panel as shown.
6		Tube Sealant	6403200 64032XX		<ul style="list-style-type: none"> ▶ Fill in open hem of the panel with a continuous bead of Tube Sealant.



	Part	Description	Product No.	Length	Installation Information
1		Residential Extended Eave	51024XX 26 Gauge	10'-2"	<ul style="list-style-type: none"> ▶ Wrap cardboard around panel hem when crimping closed to the Extended Eave. ▶ Telescope notch the Extended Eave flashing 3" at all lap locations.
2		Pancake Head Wood Screw	8243100	1"	<ul style="list-style-type: none"> ▶ Fasten 6" o.c. to hold Extended Eave Flashing in place.
3		Double Bead Tape Sealant	6403899	25'	<ul style="list-style-type: none"> ▶ Apply continuous line of Double Bead Tape Sealant on Extended Eave below Pancake Head Wood Screws.
4		Tube Sealant	6403200 64032XX		<ul style="list-style-type: none"> ▶ Apply 2 continuous beads of Tube Sealant to the female leg of the panel as shown.



	Part	Description	Product No.	Length	Installation Information
1		Residential W-Valley	50136XX 26 Gauge	10'-2"	▶ Always install W-Valley Flashing working from eave up slope.
2		Offset Cleat	5506499 26 Gauge	10'-2"	▶ Install Offset Cleat in a straight line from eave to high end of the valley, 6" from the center of the valley on each side.
3		Pancake Head Wood Screw	8243100	1"	▶ 4 per 10' of length, to secure flashing in place.
4		Pancake Head Wood Screw	8243100	1"	▶ 6" on center. Fasten through Double Bead Tape Sealant.
5		Double Bead Tape Sealant	6403899	25'	▶ Continuous Double Bead Tape Sealant between Offset Cleat and Valley.
6		Tube Sealant	6403200 64032XX		▶ Apply 2 continuous vertical beads of Tube Sealant to the male leg of the panel and along the top of the rib.
7		Tube Sealant	6403200 64032XX		▶ Apply continuous bead of Tube Sealant to the open hem of the panel.

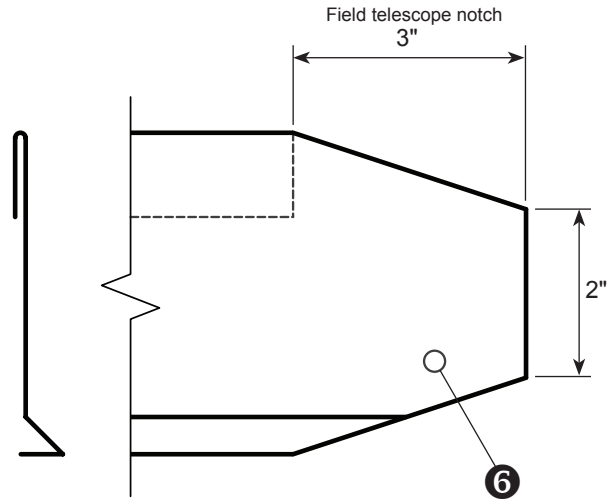
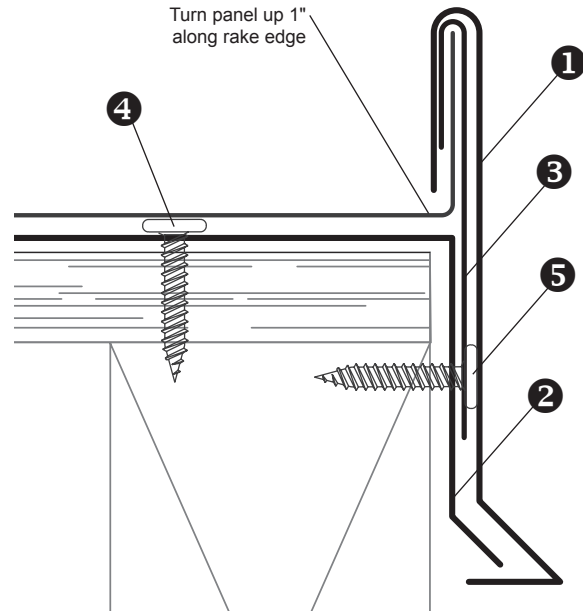
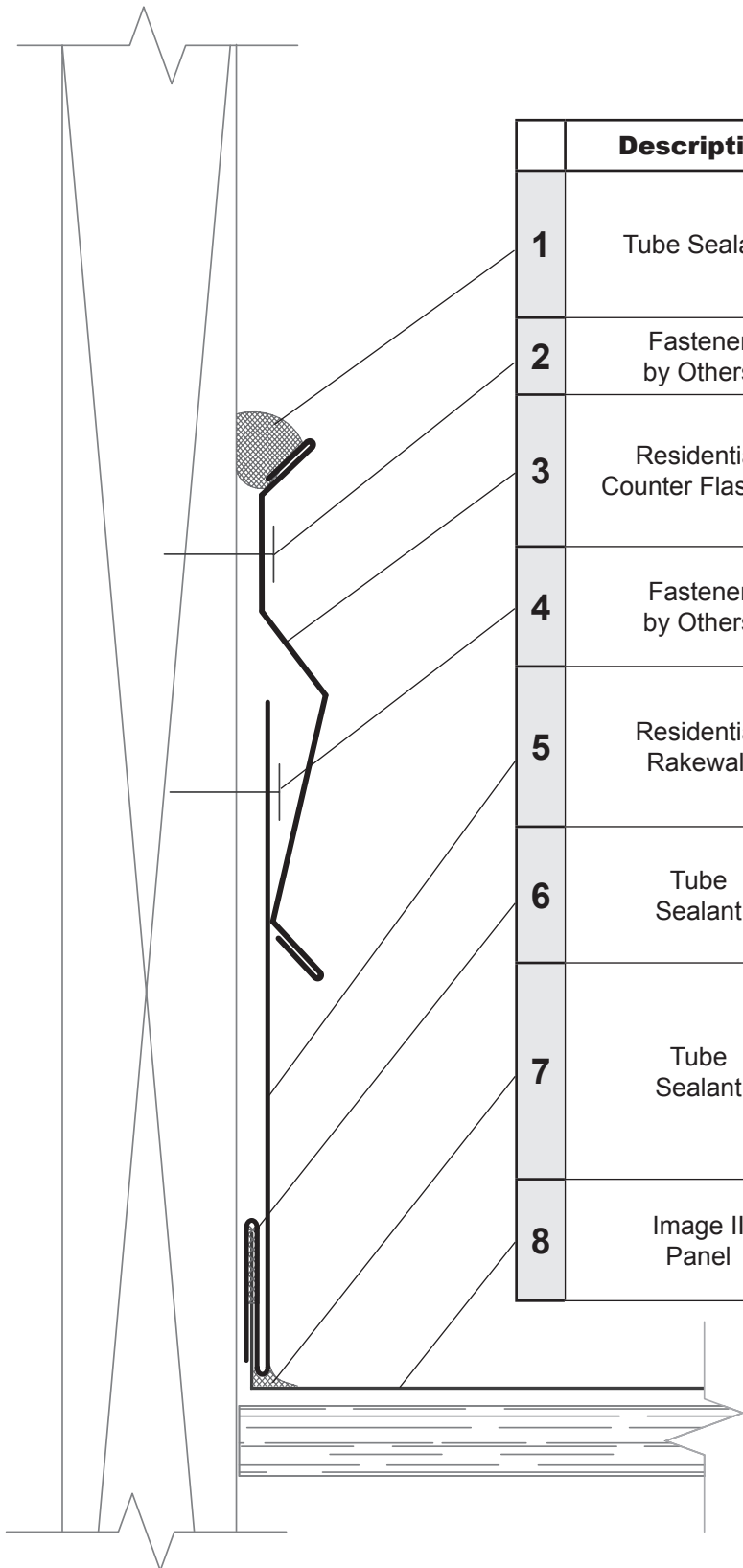
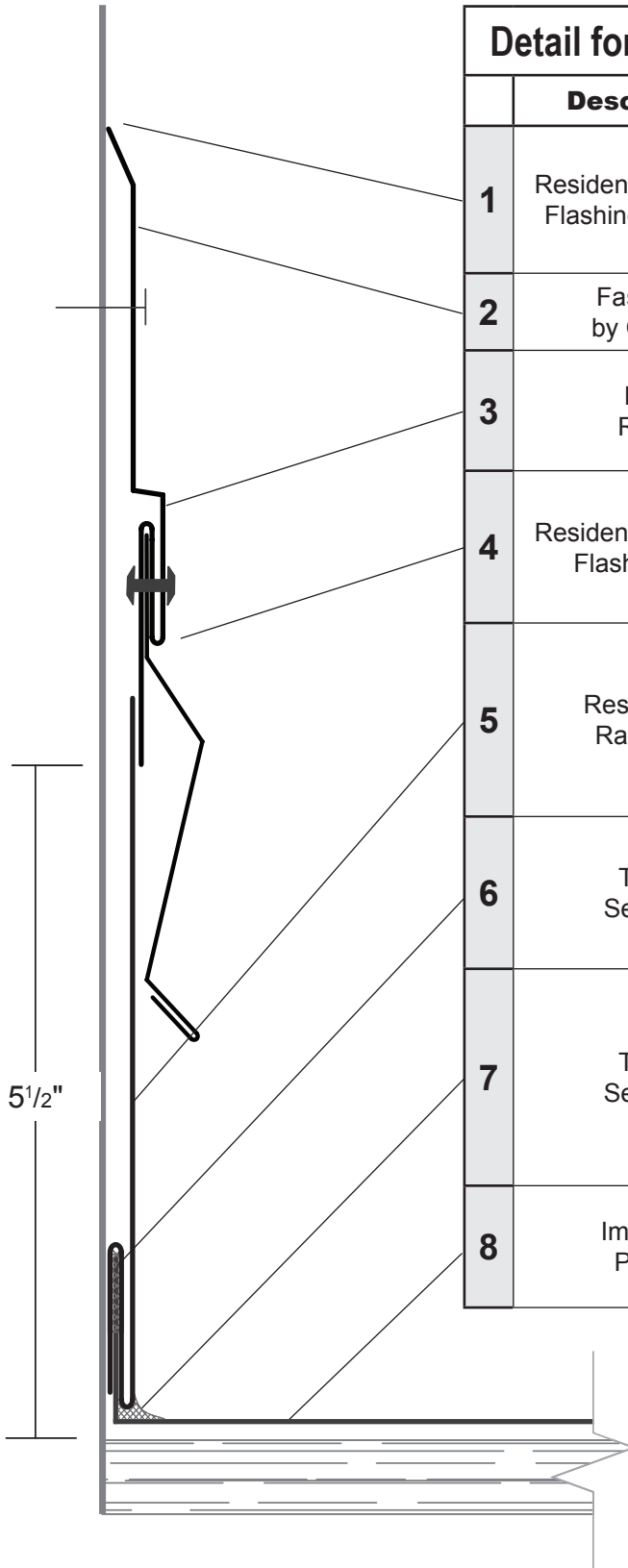


Image II Residential Rake Flashing Lap Detail

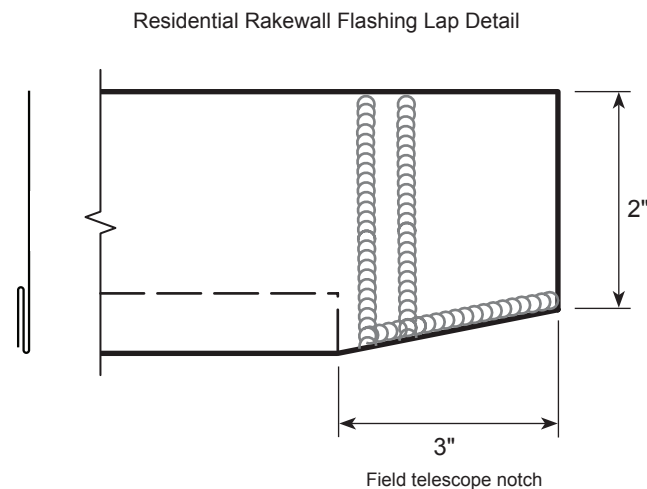
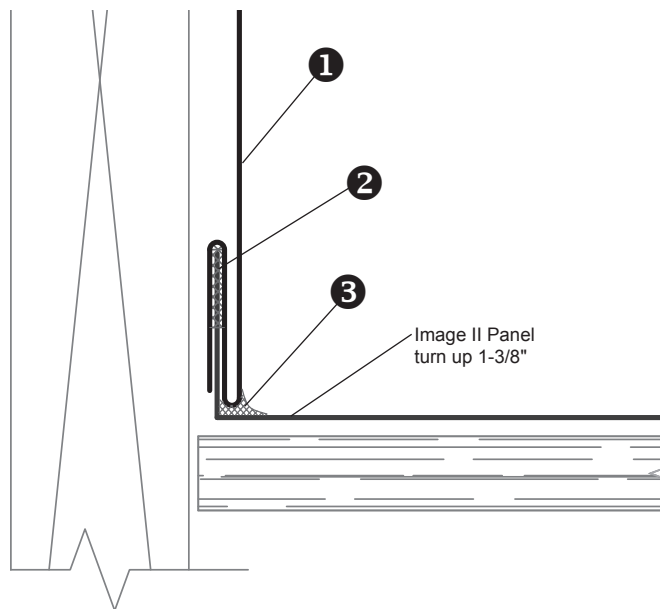
	Part	Description	Product No.	Length	Installation Information
1		Image II Residential Rake	51026XX 26 Gauge	10'-2"	<ul style="list-style-type: none"> ▶ Rake Flashing hooked over the panel edge. Attach to the Rake Cleat. ▶ Pinch hem closed along the entire rake edge.
2		Residential Rake Cleat	50132XX 26 Gauge	10'-2"	<ul style="list-style-type: none"> ▶ Fasten Rake Cleat to substrate with either Truss Head or Pancake Head Wood Screw.
3		Flat Cleat	5506199 26 Gauge	10'-2"	<ul style="list-style-type: none"> ▶ Field cut to 1" wide cleats. ▶ Installed over panel edge spaced 18" o.c. or to match panel fastener spacing. ▶ Fasten with Pancake Head Wood Screws.
4		Pancake Head Wood Screw	8243100	1"	<ul style="list-style-type: none"> ▶ 1 per lineal foot of condition to 18" o.c.
5		Pancake Head Wood Screw	8243100	1"	<ul style="list-style-type: none"> ▶ 1 per Flat Cleat, ▶ 18" o.c. or to match panel fastener spacing.
6		1/8" x 3/16" Pop Rivet	82409XX		<ul style="list-style-type: none"> ▶ Install single Pop Rivet through the Rake into the Rake Cleat.



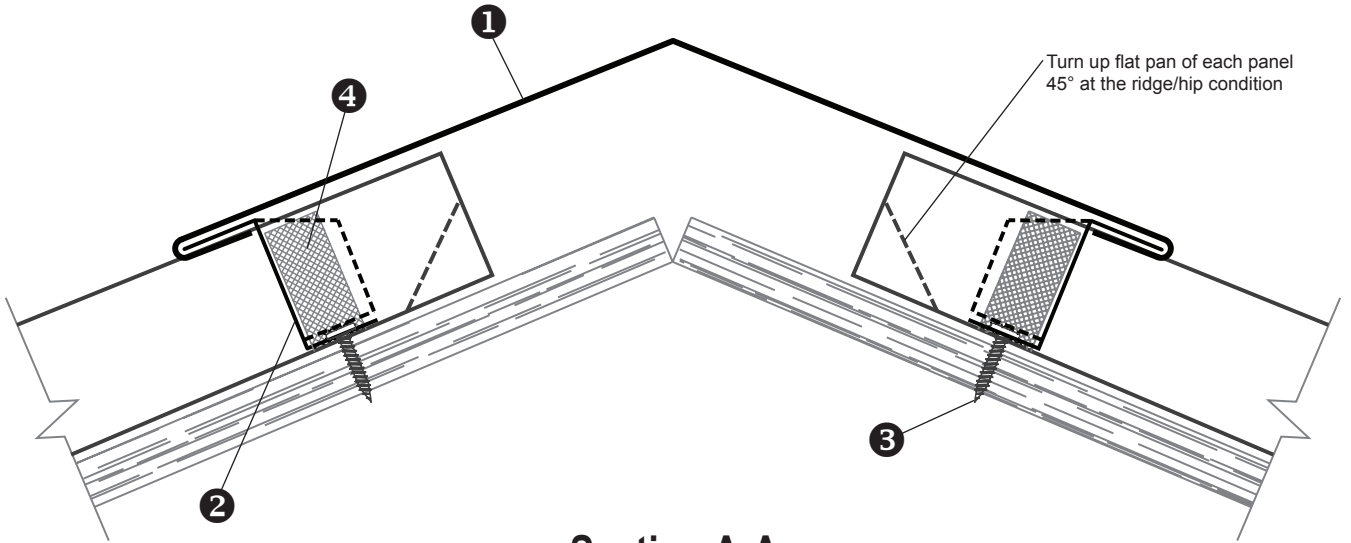
	Description	Installation Information
1	Tube Sealant	▶ Fill the space between the Counter Flashing and the wall.
2	Fastener by Others	▶ Fasten as shown
3	Residential Counter Flashing	▶ Fasten to wall over Residential Rakewall flashing.
4	Fastener by Others	▶ Fasten as shown
5	Residential Rakewall	▶ Slide Residential Rakewall over the Image II panel edge.
6	Tube Sealant	▶ Apply a continuous bead of Tube Sealant to the slip pocket.
7	Tube Sealant	▶ Apply a continuous bead of Tube Sealant to the inside corner of the panel prior to attaching the flashing. ▶ Push flashing down over the panel turn-up and into the sealant. ▶ Wipe away excess sealant with finger or plastic caulk smoothing tool.
8	Image II Panel	▶ Turn up panel 1 ³ / ₈ " for Rakewall Slip Pocket



Detail for Installation of Siding Prior to Panels		
	Description	Installation Information
1	Residential Counter Flashing Receiver	▶ Install bottom edge of flashing 5 1/2" up from the substrate.
2	Fastener by Others	▶ Fasten as shown
3	Pop Rivet	▶ Fasten Receiver to the Counter Flashing 12" o.c.
4	Residential Counter Flashing Flat	▶ Slide into open hem of Counter Flashing Receiver
5	Residential Rakewall	▶ Slide Residential Rakewall over the Image II panel edge.
6	Tube Sealant	▶ Apply a continuous bead of Tube Sealant to the slip pocket.
7	Tube Sealant	▶ Apply a continuous bead of Tube Sealant to the inside corner of the panel prior to attaching the flashing. ▶ Push flashing down over the panel turn-up and into the sealant. ▶ Wipe away excess sealant with finger or plastic caulk smoothing tool.
8	Image II Panel	▶ Turn up panel 1 3/8" for Rakewall Slip Pocket

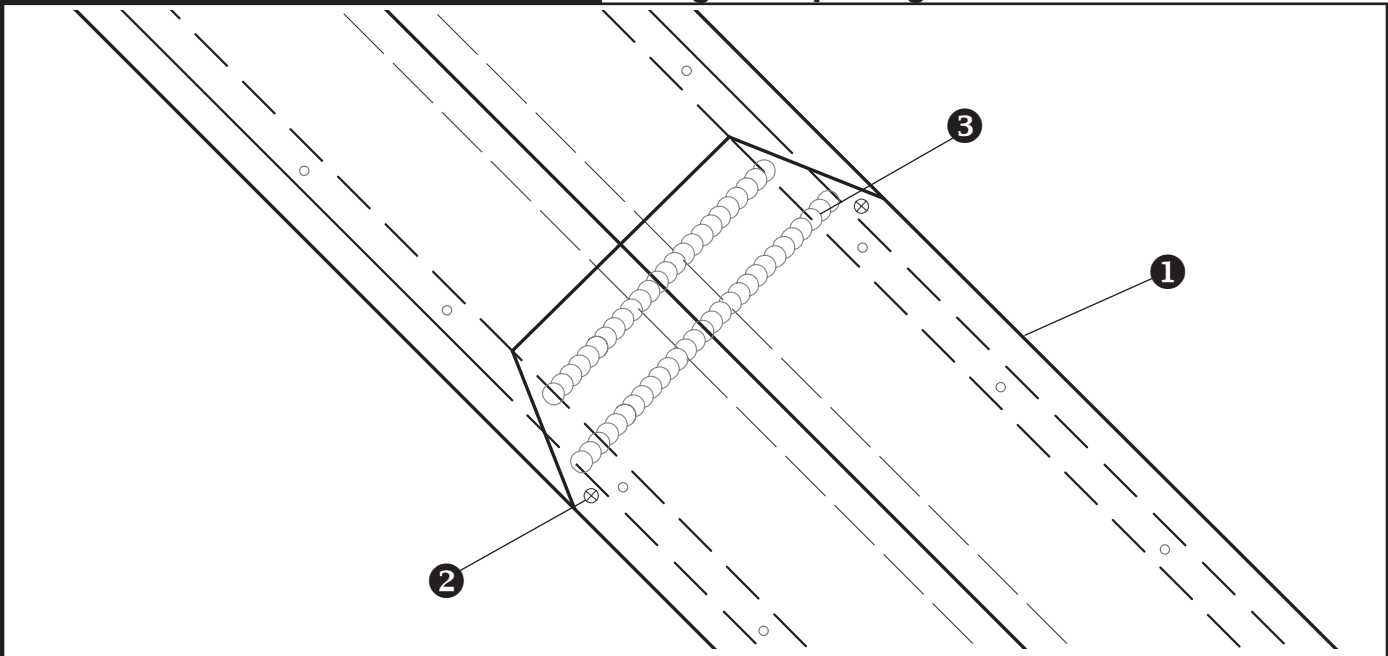


	Part	Description	Product No.	Length	Installation Information
1		Residential Rakewall	50129XX 26 Gauge	10'-2"	▶ Slide Residential Rakewall over the Image II panel edge.
2		Tube Sealant	6403200 64032XX		▶ Apply a continuous bead of Tube Sealant to the slip pocket.
3		Tube Sealant	6403200 64032XX		▶ Apply a continuous bead of Tube Sealant to the inside corner of the panel prior to attaching the flashing. ▶ Push flashing down over the panel turn-up and into the sealant. ▶ Wipe away excess sealant with finger or plastic caulk smoothing tool.

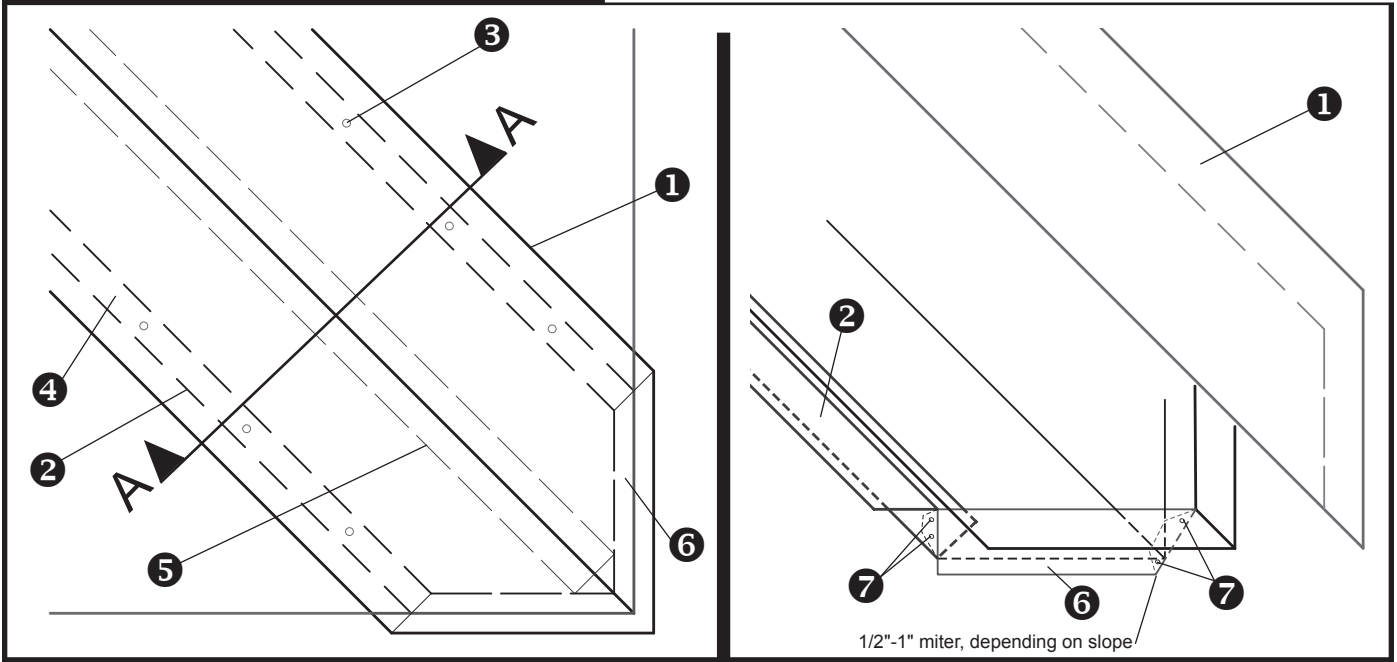


Section A-A

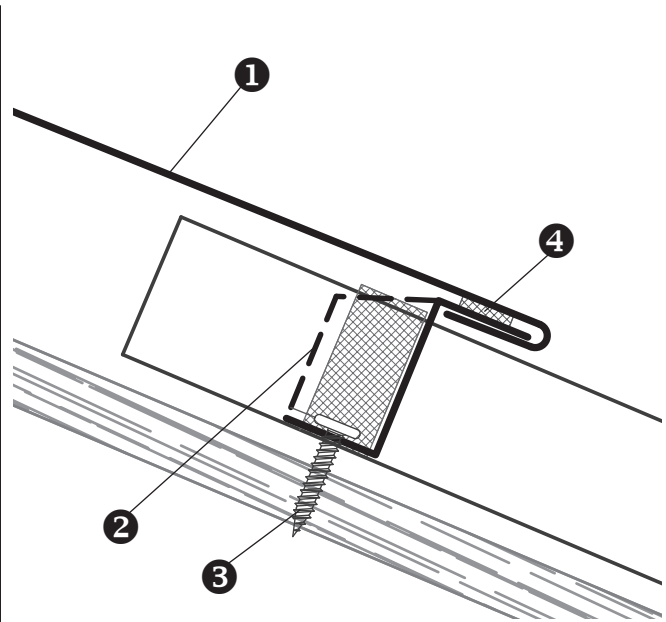
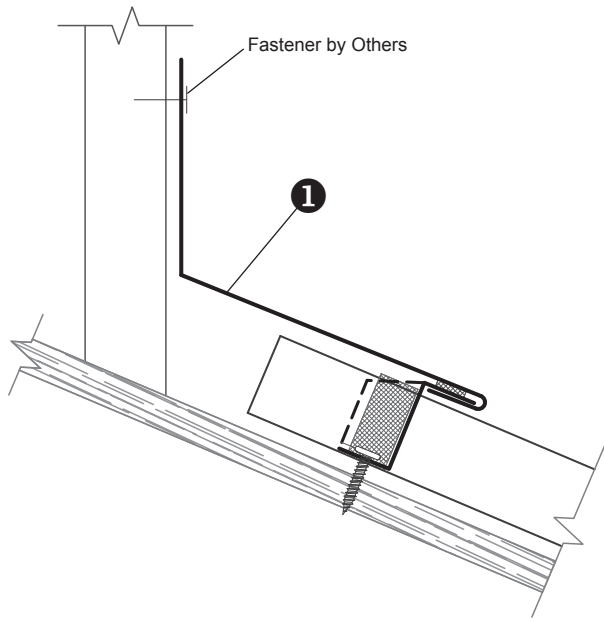
	Part	Description	Product No.	Length	Installation Information
1		7" Ridge/Hip Cover 5" Ridge/Hip Cover	50131XX 26 Gauge 50130XX 26 Gauge	10'-2"	▶ Slide Ridge/Hip Cover over top flange of Z-Closures.
2		Image II Z-Closure	55603XX 26 Gauge	10'-2"	▶ 1" end tabs on Z-Closure.
3		Pancake Head Wood Screw	8243100	1"	▶ 4 at every Z-Closure fastening through the Z-Closure and Double Bead Tape Sealant.
4		Double Bead Tape Sealant	6403899	25'	▶ Continuous Double Bead Tape Sealant required over face of panels and up and over ribs.



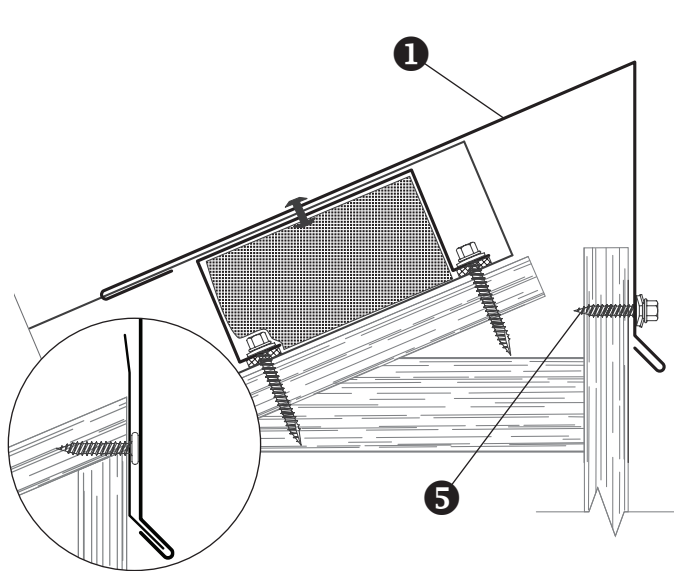
	Description	Installation Information
1	Ridge/Hip Cover	▶ Telescope notch each piece 3" at high side and fasten to the adjacent Ridge/Hip Flashing with a Pop Rivet on each side.
2	Pop Rivet	▶ 2 Pop Rivets per notched tab, attaching the flashings.
3	Tube Sealant	▶ Apply two rows of Tube Sealant between the two lapped flashings.



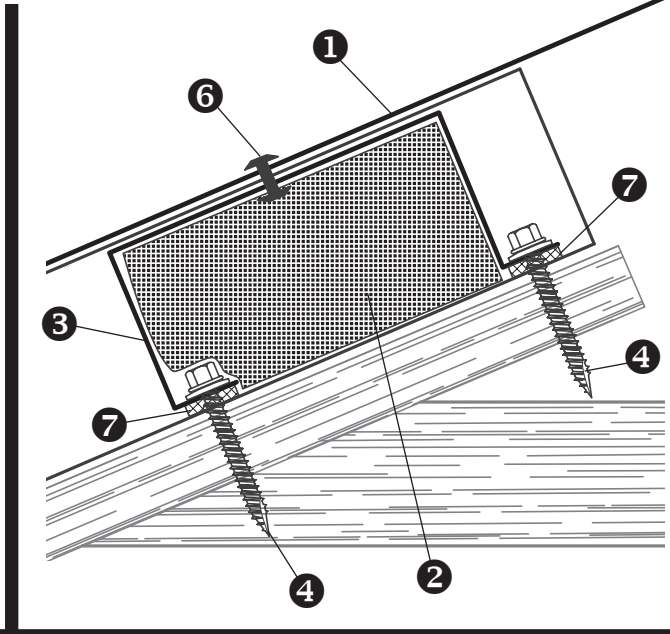
	Description	Installation Information
1	Ridge/Hip Cover	▶ Open hems of the Hip Flashing slide onto 1" top flanges of Z-Closure. Fold 1" hems over top flashings of Image II end cap. Attach high side of flashing as shown on page 38.
2	Image II Z-Closure	▶ Z-Closures over continuous Double Bead Tape Sealant.
3	Pancake Head Wood Screw	▶ Attach Image II Z-Closures with Pancake Head Wood Screws or Truss Head Wood Screws.
4	Double Bead Tape Sealant	▶ Double Bead Tape Sealant required under Z-Closures and over panel ribs. A weep hole/gap in the Double Bead Tape Sealant is required at the low side of the Z-Closure, along the panel rib.
5	Image II Panel	▶ Turn the Image II panel ends turned up to vertical 1" at the hip.
6	Image II End Cap	▶ Lower flange of End Cap covers the panel hem.
7	Pop Rivet	▶ 2 Pop Rivets per miter, attaching End Caps to the Z-Closures.



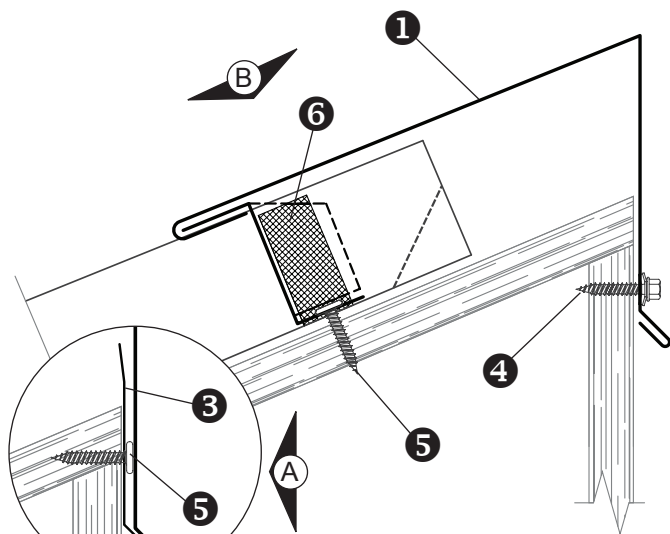
	Part	Description	Product No.	Length	Installation Information
1		Residential Pitch Break	53943XX 26 Gauge	10'-2"	▶ Open hem hooks onto Z-Closure.
2		Image II Z-Closure	55603XX 26 Gauge	10'-2"	▶ 1" end tabs on Z-Closure
3		Pancake Head Wood Screw	8243100	1"	▶ 4 required at every Z-Closure fastening through the Double Bead Tape Sealant.
4		Double Bead Tape Sealant	6403899	25'-0"	▶ Continuous Double Bead Tape Sealant required over face of panels and up and over ribs. ▶ Continuous Double Bead Tape Sealant required over top of Z-Closures.



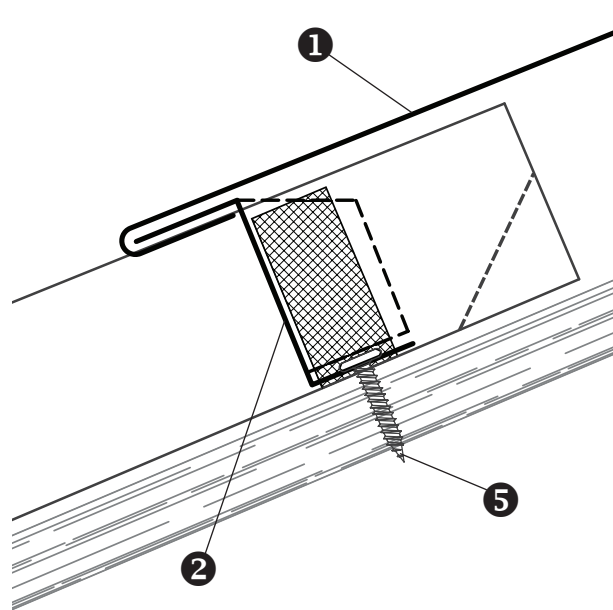
RESIDENTIAL CLEAT
OPTIONAL INSTALLATION



	Part	Description	Product No.	Length	Installation Information
1		Residential Peak	50134XX 26 Gauge	10'-2"	<ul style="list-style-type: none"> ▶ Peak flashing face can be attached directly to substrate or hooked on optional Residential Cleat.
2		Profile Vent	Notched 12" 6441799 Notched 16" 6441899	100'	<ul style="list-style-type: none"> ▶ Lay over panel ribs between Peak Flashing and panel.
3		Image II Profile Vent Clip	6540000	3 1/8"	<ul style="list-style-type: none"> ▶ Place over Profile Vent and fasten with two 1 1/2" Metalwood screws. ▶ Install 2 clips per panel.
4		#14-1 1/2" Metalwood Screw	8215100	1 1/2"	<ul style="list-style-type: none"> ▶ 2 per Profile Vent Clip. ▶ Fasten through Double Bead Tape Sealant on the low side.
5		#10-14 x 1 1/2" Wood Screw	82103XX	1 1/2"	<ul style="list-style-type: none"> ▶ 1 per lineal foot of condition. ▶ *Optional Pancake Head Wood Screw can be used with Residential Cleat.
6		1/8" x 3/16" Pop Rivet	82409XX		<ul style="list-style-type: none"> ▶ Fasten Pop Rivet through the Peak into the Profile Vent Clip. ▶ *Optional install Stitch Screw.
7		Double Bead Tape Sealant	6403899	25'	<ul style="list-style-type: none"> ▶ Double Bead Tape Sealant required at the low side and high side of each Profile Vent Clip.

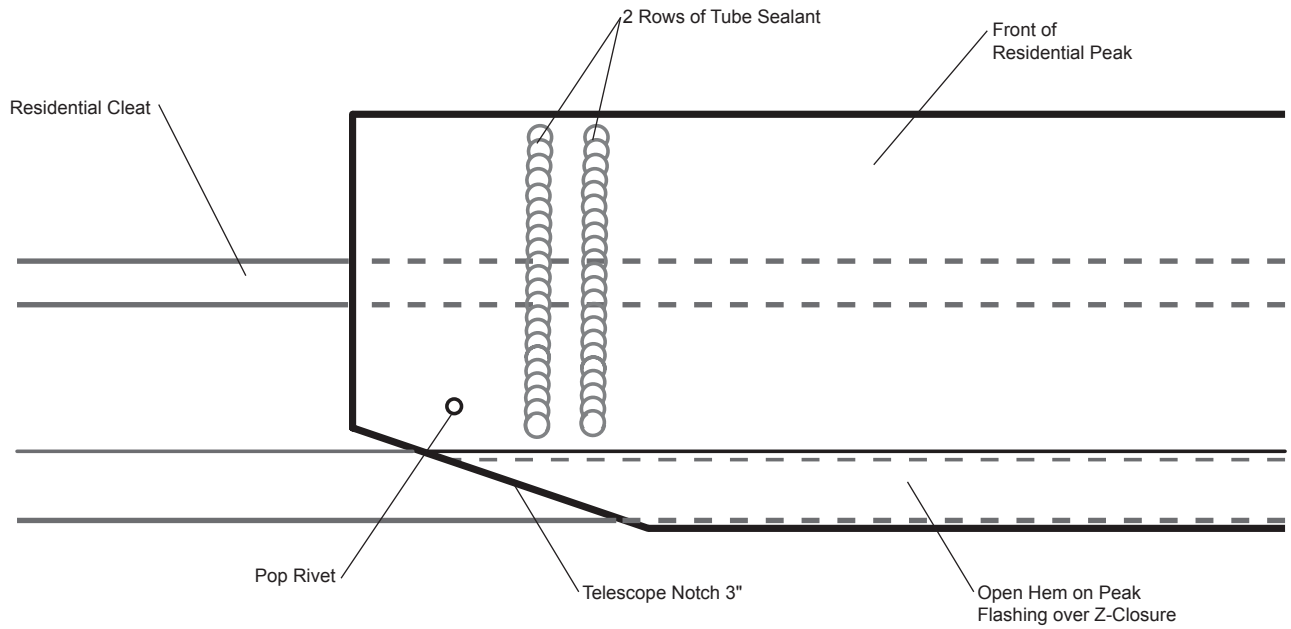


OPTIONAL CLEAT
INSTALLATION

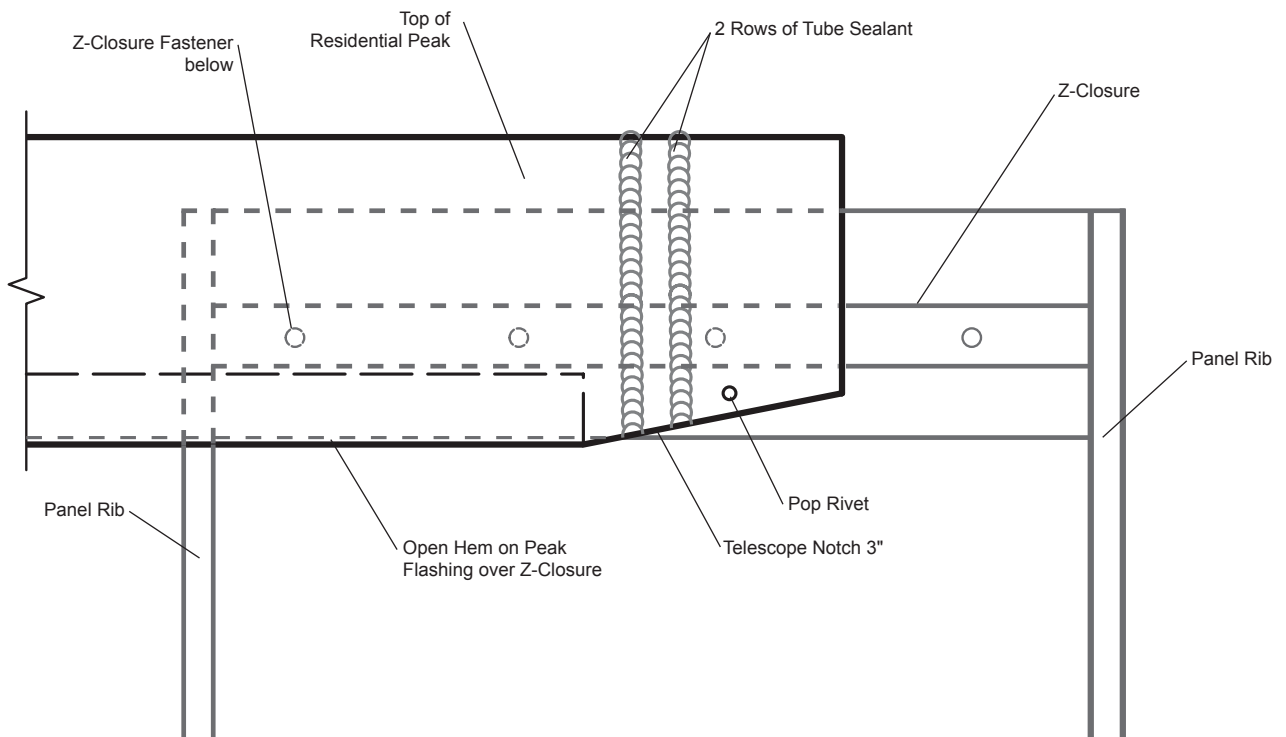


	Part	Description	Product No.	Length	Installation Information
1		Residential Peak	50134XX 26 Gauge	10'-2"	▶ Peak flashing face can be attached directly to substrate or hooked on Residential Cleat.
2		Image II Z-Closure	55603XX 26 Gauge	10'-2"	▶ 1" tabs required on Z-Closure.
3		Residential Cleat	5013599 26 Gauge	10'-2"	▶ Optional concealed fastener installation. ▶ Fasten with Pancake Head Wood Screws 1 per lineal foot.
4		#10-14 x 1 1/2" Wood Screw	82103XX	1 1/2"	▶ 1 per lineal foot of condition. ▶ Not used if optional Residential Cleat is installed.
5		Pancake Head Wood Screw	8243100	1"	▶ 4 required at every Z-Closure fastening through the Double Bead Tape Sealant. ▶ 1 per lineal foot of Offset Cleat.
6		Double Bead Tape Sealant	6403899	25'	▶ Continuous Double Bead Tape Sealant required over face of panels and up and over ribs.

Peak Flashing Lap - Front View



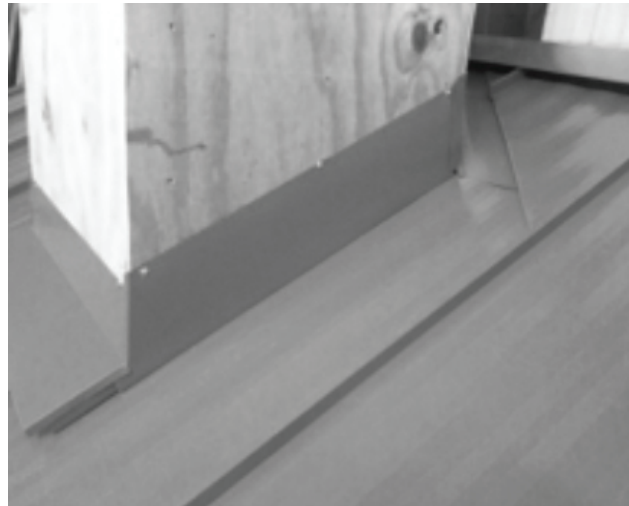
Peak Flashing Lap - Top View



SKYLIGHT INSTALLATION



CHIMNEY INSTALLATION



LOW SIDE OF SKYLIGHT/CHIMNEY

Part	Description	Product No.	Length	Installation Information
	Residential Pitch Break	53943XX 26 Gauge	10'-2"	▶ Cut 2'-0" longer than the width of the Skylight or Chimney.
	Vertical Seam Z-Closure Image II Z-Closure	55702XX 26 Gauge 55603XX 26 Gauge	10'-2"	▶ 1" end tabs on Z-Closure.
	Pancake Head Wood Screw	8243100	1"	▶ 4 required at every Z-Closure fastening through the Double Bead Tape Sealant.
	Double Bead Tape Sealant	6403899	25'-0"	▶ Continuous Double Bead Tape Sealant over face of panels and up and over ribs. ▶ Continuous Double Bead Tape Sealant over top of Z-Closures.
	Tube Sealant	6403200 64032XX		▶ Fill in gaps as needed.

RIGHT AND LEFT SIDE

Part	Description	Product No.	Length	Installation Information
	Residential Rakewall	50129XX 26 Gauge	10'-2"	<ul style="list-style-type: none"> ▶ Cut the Residential Rakewall 2'-0" longer than the length of the Skylight or Chimney. Use a single flashing, no laps. ▶ Slide Residential Rakewall over the vertical panel edge.
	Tube Sealant	6403200 64032XX		<ul style="list-style-type: none"> ▶ Apply a continuous bead of Tube Sealant to the slip pocket and inside corner of panel (see rakewall detail).

HIGH SIDE OF SKYLIGHT/CHIMNEY

Part	Description	Product No.	Length	Installation Information
	Flat Sheet	25683XX 26 Gauge	10'-2"	<ul style="list-style-type: none"> ▶ Flat pan only - Use full sheet for fabrication of cricket. ▶ 12" plus height up the Skylight/Chimney. ▶ Dimension from full panel rib on each side of the Skylight/Chimney.
	Offset Cleat	5506499 26 Gauge	10'-2"	<ul style="list-style-type: none"> ▶ Cut the Offset Cleat 4'-0" longer than the width of the Skylight or Chimney.
	Pancake Head Wood Screw	8243100	1"	<ul style="list-style-type: none"> ▶ 1 Pancake Head Wood Screw every 6" of the Offset Cleat. ▶ Fasten through the Double Bead Tape Sealant.
	Double Bead Tape Sealant	6403899	25'-0"	<ul style="list-style-type: none"> ▶ Apply to the panel before attaching the Offset Cleat.
	Tube Sealant	6403200 64032XX		<ul style="list-style-type: none"> ▶ Apply under flat pan or cricket and at the corners of the penetration.

Though factory applied pre-painted finishes are very durable and will last many years, eventually it may be desirable to thoroughly clean or repaint them.

Dirt pickup may cause apparent discoloration of the paint when it has been exposed in some dirt laded atmospheres for long periods of time. In areas of strong sunlight, slight chalking may cause some change in appearance. A good cleaning will often restore the appearance of these buildings and render repainting unnecessary. An occasional light cleaning will help maintain a good appearance.

In many cases, simply washing the building with plain water using a hose or pressure sprayer will be adequate. In areas where heavy dirt deposits dull the surface, a cloth or soft bristle brush and solution of water and detergent ($\frac{1}{3}$ cup of laundry detergent per gallon of water for example) may be used. This should be followed by an adequate rinse of water. Do not use wire brushes, abrasives, or cleaning tools which will scratch the coating surface.

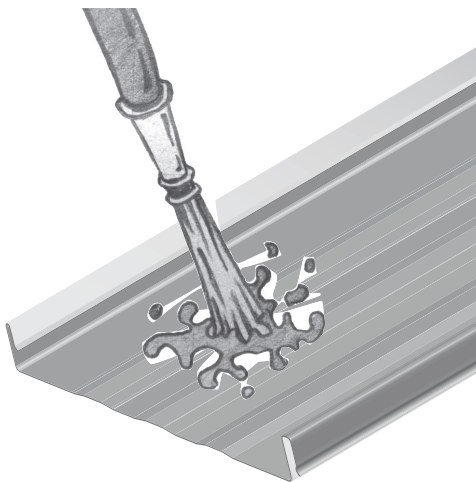
Mildew may occur in areas subject to high humidity but is not normally a problem due to the high inherent mildew resistance of the baked finish that is used. However, mildew can grow on dirt and spore deposits in some cases. To remove mildew along with the dirt, the following solution is recommended.

- $\frac{1}{3}$ cup detergent (Tide® or equivalent)
- $\frac{2}{3}$ cup trisodium phosphate (Solex® or equivalent)
- 1 quart of 5% sodium hypochlorite solution (Clorox® or equivalent)
- 3 quarts of water

Strong solvents and abrasive type cleaners should be avoided. Most organic solvents are flammable and toxic, and must be handled accordingly. When using a solvent, consult maintenance professionals and label instructions for proper handling and disposal of washings. If required, a mild solvent such as mineral spirits can be used to remove caulking compounds, oil, grease, tars, wax, and similar substances. Use a cloth dampened with mineral spirits and apply only to areas which are contaminated. Follow up the use of this mild solvent with detergent cleaning and rinsing.



**DO NOT USE A
WIRE BRUSH**



**HOSE OR PRESSURE SPRAY
FOR ADEQUATE CLEANING**



**USE MILD DETERGENT AND WATER
FOR HEAVY DIRT DEPOSITS**

