

**EVALUATION REPORT OF  
METAL SALES MANUFACTURING CORPORATION  
'29 GA. CLASSIC RIB PANEL'**

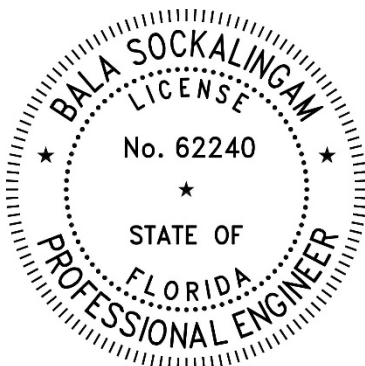
**FLORIDA BUILDING CODE 8TH EDITION (2023)  
FLORIDA PRODUCT APPROVAL  
FL 46539.1  
PANEL WALLS  
SIDING**

**Prepared For:  
Metal Sales Manufacturing Corporation  
7800 Highway 60  
Sellersburg, IN 47172  
Telephone: (502) 855-4300  
Fax: (502) 855-4200**

**Prepared By:  
Bala Sockalingam, Ph.D., P.E.  
Florida Professional Engineer #62240  
1216 N Lansing Ave., Suite C  
Tulsa, OK 74106  
Telephone: (918) 492-5992**

**This report consists of  
Evaluation Report (3 Pages including cover)  
Installation Details (1 Page)  
Load Span Table (1 Page)**

**Report No. C2770-1  
Date: 2.20.2024**



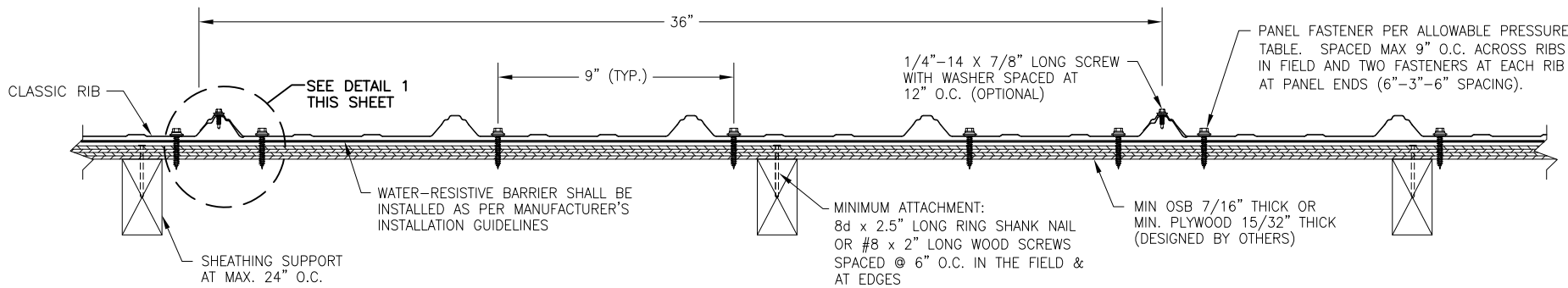
This item has been digitally signed and sealed by Bala Sockalingam, PE, on the date indicated.

Printed copies of this document are not considered signed and sealed and this signature must be verified on any electronic copies.

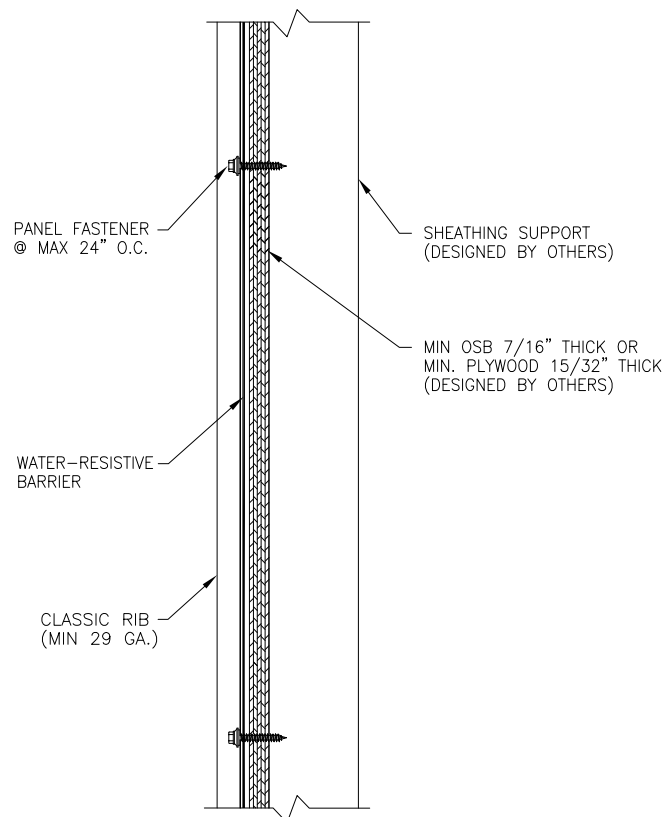
Manufacturer:	Metal Sales Manufacturing Corporation
Product Name:	Classic Rib
Panel Description:	36" wide coverage with (5) 3/4" high ribs
Materials:	Min. 29 ga., 80 ksi steel or min. 26 ga., 50 ksi steel Galvanized coated steel (ASTM A653) or Galvalume coated steel (ASTM A792) or painted steel (ASTM A755). Corrosion resistant as per FBC 2023 Section 1405.2
Sheathings:	Min. 7/16" thick OSB sheathing or min. 15/32" thick plywood sheathing. Fastened to wood supports at maximum 24" o.c. Sheathing and support connections must be designed to resist all loads and installed as per FBC 2023. Water-resistive barrier must be installed over sheathing as per FBC 2023 Section 1403.2 and in accordance with manufacturer's installation procedure.
Design Uplift Pressure: (Factor of Safety = 2)	45.0 psf at fastener spacing of 24" o.c. 135.0 psf at fastener spacing of 6" o.c.
Fastener Pattern: Type:	#9-16 or #10-14 hex head wood screws with sealed washer. Fastener shall be of sufficient length to penetrate through the deck a minimum of 3/8". Fasteners are corrosion resistant as per FBC 2023 Section 1405.17.
At panel ends	at 5.5"-3.5"-5.5" o.c. across panel width
At intermediate	at 9" o.c. across panel width with two fasteners at each sidelap.
Sidelap Attachment: (Optional)	1/4"-14 x 7/8" long self-drilling screws with washer at 12" o.c. Fasteners are corrosion resistant as per FBC 2023 Section 1405.17.
Test Standards:	Wall assembly tested in accordance with UL580-94 (Rev 98) 'Uplift Resistance of Roof Assemblies' & UL1897-98 'Uplift Tests for Roof Covering Systems'.
Test Equivalency:	The test procedures in UL 580-94 comply with test procedures prescribed in UL 580-06. The test procedures in UL 1897-98 comply with test procedures prescribed in UL 1897-15.
Code Compliance:	The product described herein has demonstrated compliance with FBC 2023 Section 1404.5.
Product Limitations:	Design wind loads shall be determined for each project in accordance with FBC 2023 Section 1609 or ASCE 7-22 using allowable stress

design. The maximum fastener spacing listed herein shall not be exceeded. The design pressure for reduced fastener spacing may be computed using rational analysis prepared by a Florida Professional Engineer or based on Metal Sales load span table. This evaluation report is not applicable in High Velocity Hurricane Zone.

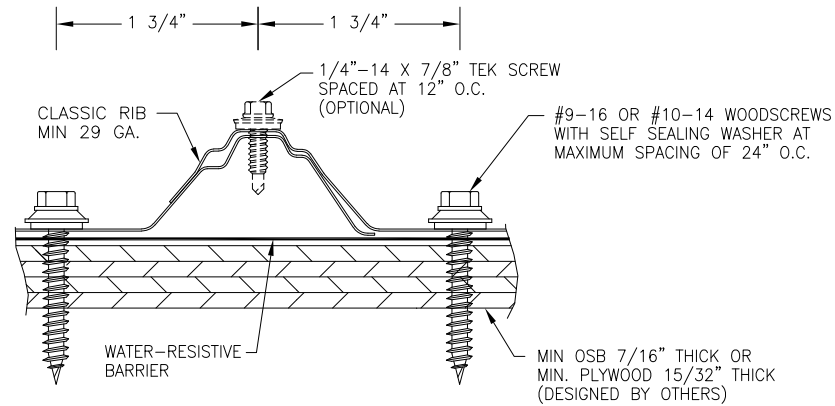
Supporting Documents: UL580/UL1897 Test Report  
PRI Construction Materials Technologies  
MSMC-009-02-01.02, Reporting Date 1/20/2011, Revised Date  
1/21/2011



**TYPICAL PANEL INSTALLATION X-SECTION**



**SECTION VIEW**



**DETAIL 1**

**GENERAL NOTES:**

1. WALL PANEL HAS BEEN DESIGNED IN ACCORDANCE WITH THE FLORIDA BUILDING CODE (FBC).
2. WALL PANELS ARE SHALL BE MIN 29 GA. (t = 0.013"). EFFECTIVE COVERING WIDTH OF PANEL = 36".
3. WALL PANELS SHALL BE INSTALLED OVER SHEATHING & STRUCTURE AS SPECIFIED ON THIS DRAWING.
4. REQUIRED DESIGN WIND LOADS SHALL BE DETERMINED FOR EACH PROJECT. THIS PANEL SYSTEM MAY NOT BE INSTALLED WHEN THE REQUIRED DESIGN WIND LOADS ARE GREATER THAN THE ALLOWABLE WIND LOAD TABLE.
5. ALL FASTENERS MUST BE IN ACCORDANCE WITH THIS DRAWING & THE FLORIDA BUILDING CODE.
6. WALL SUPPORTS MUST BE DESIGNED TO WITHSTAND WIND LOADS AS REQUIRED FOR EACH APPLICATION AND ARE THE RESPONSIBILITY OF OTHERS.

<small>DRAWN BY:</small> B.S.	<small>CHECKED BY:</small> D.S.
<small>PLOT:</small>	<small>DATE:</small> 2/19/2024
<small>DATE:</small>	
<small>BY:</small>	
<small>REVISION DESCRIPTION:</small>	
<small>NO.:</small>	
<b>CLASSIC RIB PANEL</b>	
<small>CONSULTANTS</small> <b>BALA SÖCKALINGAM, PH.D., P.E.</b> 1216 N. LANSING AVE. SUITE C TULSA, OK 74106 PHONE: 918-492-5992 FAX: 866-366-1543	<small>MANUFACTURER</small> <b>METAL SALES MANUFACTURING CORP.</b> 7800 HIGHWAY 60 SELLERSBURG, IN 47172 502-855-4300
<small>DRAWING NO.</small> <b>2770-1</b>	<small>REV.</small> 1
<small>PAGE NO.</small> 1 OF 1	

**METAL SALES MANUFACTURING CORPORATION**  
**Classic Rib Panel Outward Loads**  
**(Min 29 ga.)**

Description	Fastener Spacing along panel length (in)	Allowable Outward Load (psf)
Coverage width: 36"	<b>6</b>	<b>135.0</b>
	8	125.0
Panel Fasteners #9-16 or #10-14 hex head wood screws with sealed washer	10	108.0
	12	90.0
	14	77.1
	16	67.5
	18	60.0
Panel fasteners spaced at 9" o.c. across panel width	20	54.0
	22	49.1
	<b>24</b>	<b>45.0</b>

**Notes:**

1. The bold numbers indicate design loads calculated from test data with safety factor of 2.
2. Panels must be installed as per Evaluation Report FL 46539.1 and Metal Sales current installation procedure.
3. Three or more spans condition.